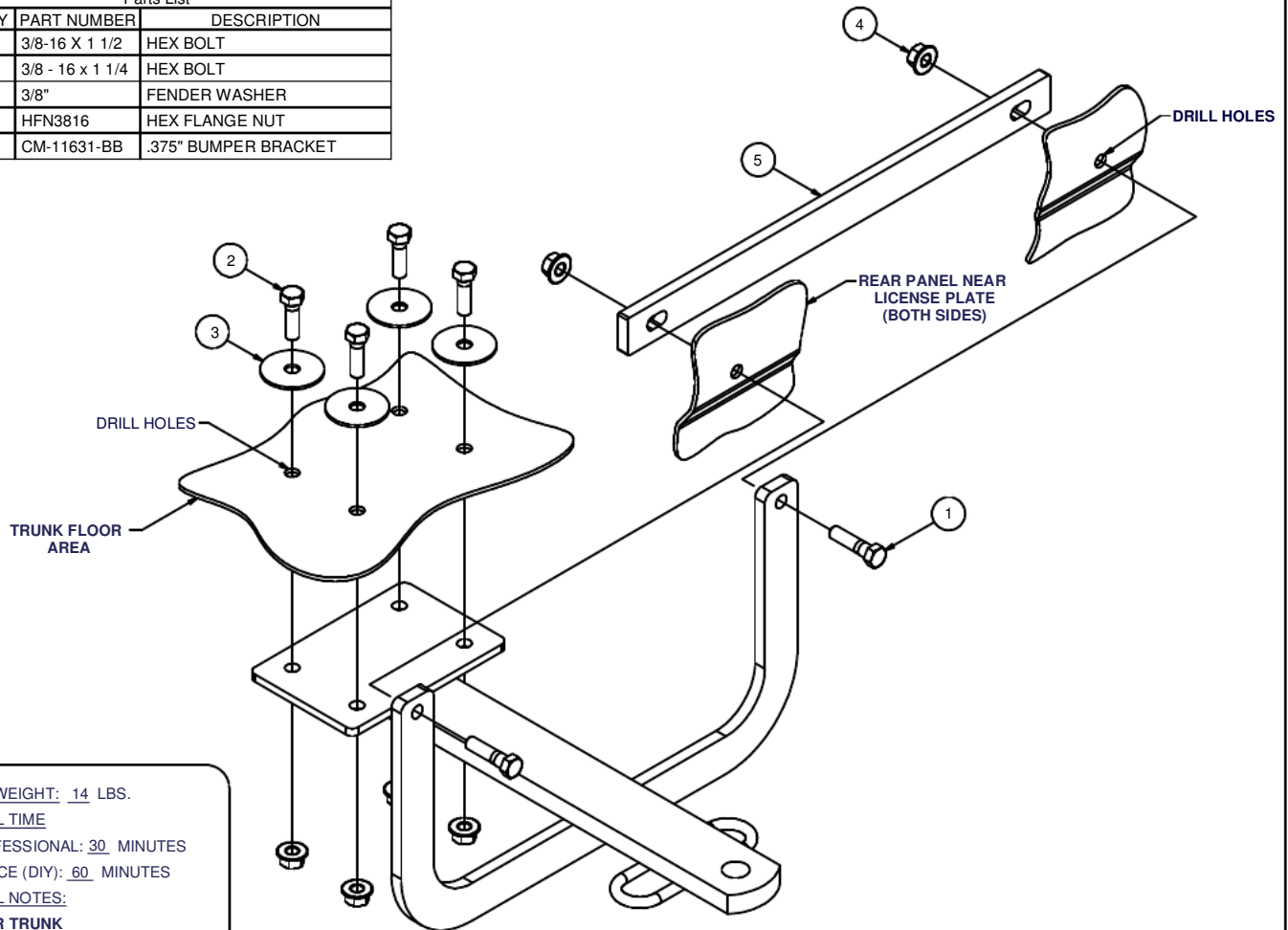


11631**85-86 SUBARU 4 DOOR SEDAN****3/25/2013****GROSS LOAD CAPACITY WHEN USED AS A WEIGHT CARRYING HITCH: 1,500 LBS. TRAILER WEIGHT & 150 LBS. TONGUE WEIGHT.*******DO NOT EXCEED VEHICLE MANUFACTURER'S RECOMMENDED TOWING CAPACITY.*******WARNING: ALL NON-TRAILER LOADS APPLIED TO THIS PRODUCT MUST BE SUPPORTED BY 18050 STABILIZING STRAPS.****** FAILURE TO PROPERLY SUPPORT NON-TRAILER LOADS WILL VOID PRODUCT WARRANTY******HAVING INSTALLATION QUESTIONS? CALL TECHNICAL SUPPORT AT 1-877-287-8634**

Parts List			
ITEM	QTY	PART NUMBER	DESCRIPTION
1	2	3/8-16 X 1 1/2	HEX BOLT
2	4	3/8 - 16 x 1 1/4	HEX BOLT
3	4	3/8"	FENDER WASHER
4	6	HFN3816	HEX FLANGE NUT
5	1	CM-11631-BB	.375" BUMPER BRACKET

**HITCH WEIGHT: 14 LBS.****INSTALL TIME**PROFESSIONAL: 30 MINUTESNOVICE (DIY): 60 MINUTES**INSTALL NOTES:**

- CLEAR TRUNK
- DRILLING REQUIRED
- SILICONE SEAL HARDWARE

INSTALLATION STEPS

1. Clear the vehicle's trunk area for drilling. Place the hitch against the vehicle as shown. The hitch U-bracket should fit against the vehicle's rear panel centered on the license plate with the U-bracket holes 5/8" above the body seam. Using the hitch as a template, mark the vehicle (6) places for mounting holes.
2. Drill the vehicle (6) places for 3/8" diameter hardware.
3. Mount the hitch to the vehicle as shown. NOTE: The CM-11631-BB and flat washers both fit inside the vehicle opposite the hitch.
4. Torque all 3/8" fasteners to 45 lb-ft.
5. Use silicone sealant to seal hardware installed through the trunk floor and rear panel.
6. Reinstall contents removed from trunk in Step 1.

PERIODICALLY CHECK THIS RECEIVER HITCH TO ENSURE THAT ALL FASTENERS ARE TIGHT AND THAT ALL STRUCTURAL COMPONENTS ARE SOUND.

Curt Manufacturing Inc., warrants this product to be free of defects in material and/or workmanship at the time of retail purchase by the original purchaser. If the product is found to be defective, Curt Manufacturing Inc., may repair or replace the product, at their option, when the product is returned, prepaid, with proof of purchase. Alteration to, misuse of, or improper installation of this product voids the warranty. Curt Manufacturing Inc.'s liability is limited to repair or replacement of products found to be defective, and specifically excludes liability for incidental or consequential loss or damage.