

YEARS: 2016-PRESENT

MAKE: HONDA

MODEL: CIVIC

STYLE: SEDAN

WARNING: NEVER EXCEED YOUR VEHICLE MANUFACTURER'S RECOMMENDED TOWING CAPACITY
 For more information log onto www.curtmfg.com & for helpful towing tips log onto www.hitchinfo.com

WEIGHT CARRYING:
 TRAILER WEIGHT: 2000 LBS.
 TONGUE WEIGHT: 200 LBS.

WARNING:
 WE RECOMMEND THE USE OF 18050 STABILIZING STRAPS FOR ALL NON-TRAILER (WHEEL-LESS) LOADS. PLEASE SEE THE CURT CATALOG OR VISIT US ONLINE AT WWW.CURTMFG.COM FOR FURTHER INFORMATION.

PRO INSTALL TIME: 30 MIN.
NOVICE INSTALL TIME: 60 MIN.

IF YOU ARE HESITANT TO UNDERTAKE THIS TASK ON YOUR OWN, CONTACT AN AUTHORIZED CURT INSTALLER FOR ADDITIONAL ASSISTANCE.

INSTALLATION REQUIRES:

		11/16"
RATCHET	TORQUE WRENCH	SOCKET
6"		1/4"
SOCKET EXTENSION	POWER DRILL	DRILL BIT
DRILL BIT	DIE GRINDER	PAINT PEN
SAFETY GLASSES		

INSTALLATION TIPS:

- BEFORE YOU BEGIN INSTALLATION, READ ALL INSTRUCTIONS THOROUGHLY.
- TO EASE INSTALLATION, 2 PEOPLE MAY BE REQUIRED.
- USING PROPER TOOLS WILL GREATLY IMPROVE THE QUALITY OF THE INSTALL AND REDUCE THE TIME REQUIRED.
- NEED HELP OR HAVE SOME QUESTIONS? CALL TECHNICAL SUPPORT AT 800.798.0813

LEVEL OF DIFFICULTY: MODERATE

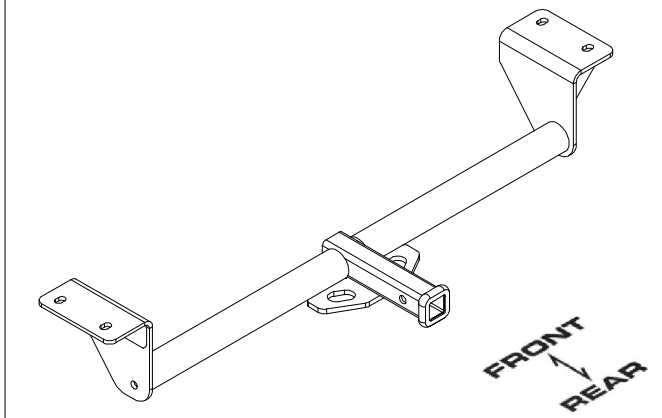
EASY	MODERATE	CHALLENGING
	DRILLING REQUIRED	
	HOLE ENLARGEMENT REQUIRED	
	FISHWIRE TECHNIQUE	
	REVERSE FISHWIRE TECHNIQUE	

VEHICLE PHOTO:



REPRESENTATIVE PHOTO

HITCH ILLUSTRATION:



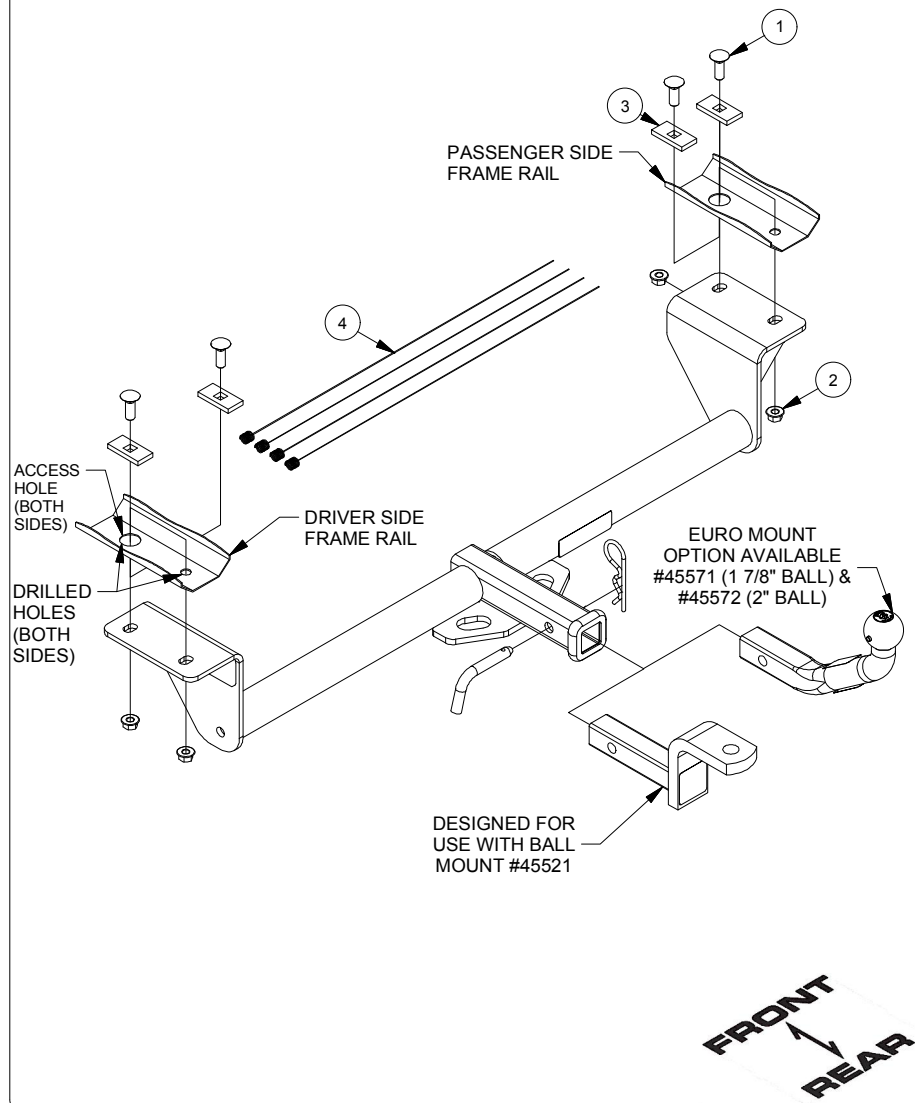
MAKE SURE YOUR HITCH MATCHES



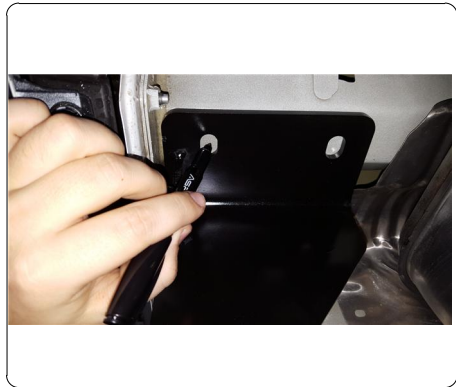
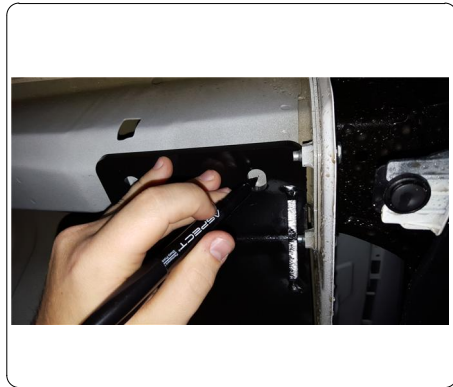
PERIODICALLY CHECK THIS RECEIVER HITCH TO ENSURE ALL FASTENERS ARE TIGHT AND ALL STRUCTURAL COMPONENTS ARE SOUND
 CURT Manufacturing LLC. warrants this product to be free of defects in material and/or workmanship at the time of retail purchase by the original purchaser. If the product is found to be defective, CURT Manufacturing LLC. may repair or replace the product at their option, when the product is returned, prepaid, with proof of purchase. Alteration to, misuse of, or improper installation of this product voids the warranty. CURT Manufacturing LLC.'s liability is limited to repair or replacement of products found to be defective, and specifically excludes liability for incidental or consequential loss or damage.
 For more information log onto www.curtmfg.com , & for helpful towing tips log onto www.hitchinfo.com
 This product complies with safety specifications and requirements for connecting devices and towing systems of the state of New York, V.E.S.C.Regulation V-5 and SAE J684.

INSTALLATION WALKTHROUGH:

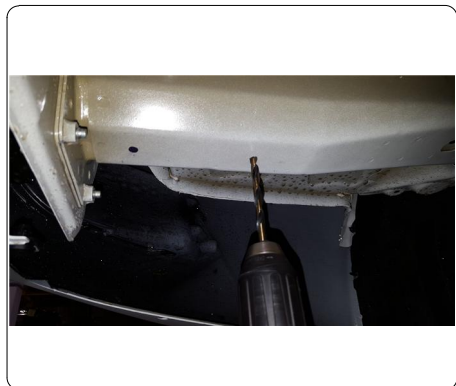
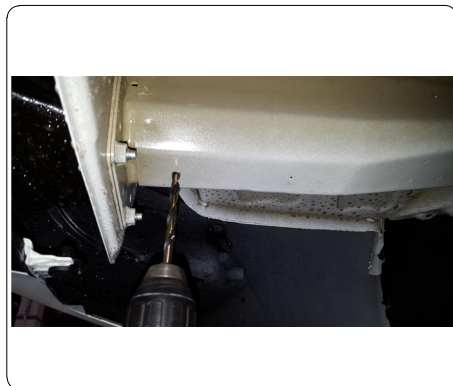
Parts List			
ITEM	QTY	PART NUMBER	DESCRIPTION
1	4	7/16-14 x 1 1/4	CARRIAGE BOLT
2	4	7/16-14	HEX FLANGE NUT
3	4	CM-SP7	.250 x 1.00 x 2.00" SQUARE HOLE SPACER
4	4	7_16 FISHWIRE	7/16" FISHWIRE



1. Raise hitch into position against the back of the frame rail. Using the hitch as a template, center the holes on the frame rail and use a paint pen to mark out the (4) hole locations.



2. Lower the hitch and use a drill and 1/4" drill bit to drill (4) holes located at the marked areas from step 1. Then, use a 1/2" drill bit to open up the holes to the final size.



INSTALLATION WALKTHROUGH:

3. Use a die grinder to open up the (2) forward-most holes (1) on each frame rail. (See hole enlargement diagram).



4. Using the forward-most holes that were enlarged in step 3, fishwire (2) 7/16" carriage bolts and (2) CM-SP7 spacers into the rear most holes. (See fishwire diagram).



5. Using the forward-most holes that were enlarged in step 3, reverse fishwire (2) 7/16" carriage bolts and (2) CM-SP7 spacers into the frame. (See reverse fishwire diagram).

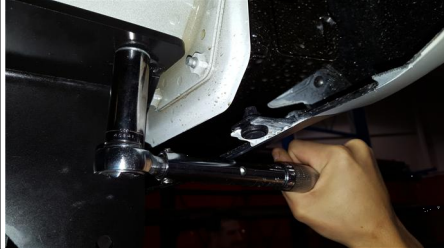


6. Raise hitch into position running the fishwires through the holes on the hitch. Remove fishwires and loosely fasten (4) 7/16" flange nuts.



INSTALLATION WALKTHROUGH:

7. Torque all fasteners to 59 ft-lbs.



8. Installation Complete



GROSS LOAD CAPACITY WHEN USED AS A WEIGHT CARRYING HITCH: 2000 LBS. TRAILER WEIGHT & 200 LBS. TONGUE WEIGHT.

WARNING: ALL NON-TRAILER LOADS APPLIED TO THIS PRODUCT MUST BE SUPPORTED BY 18050 STABILIZING STRAPS.



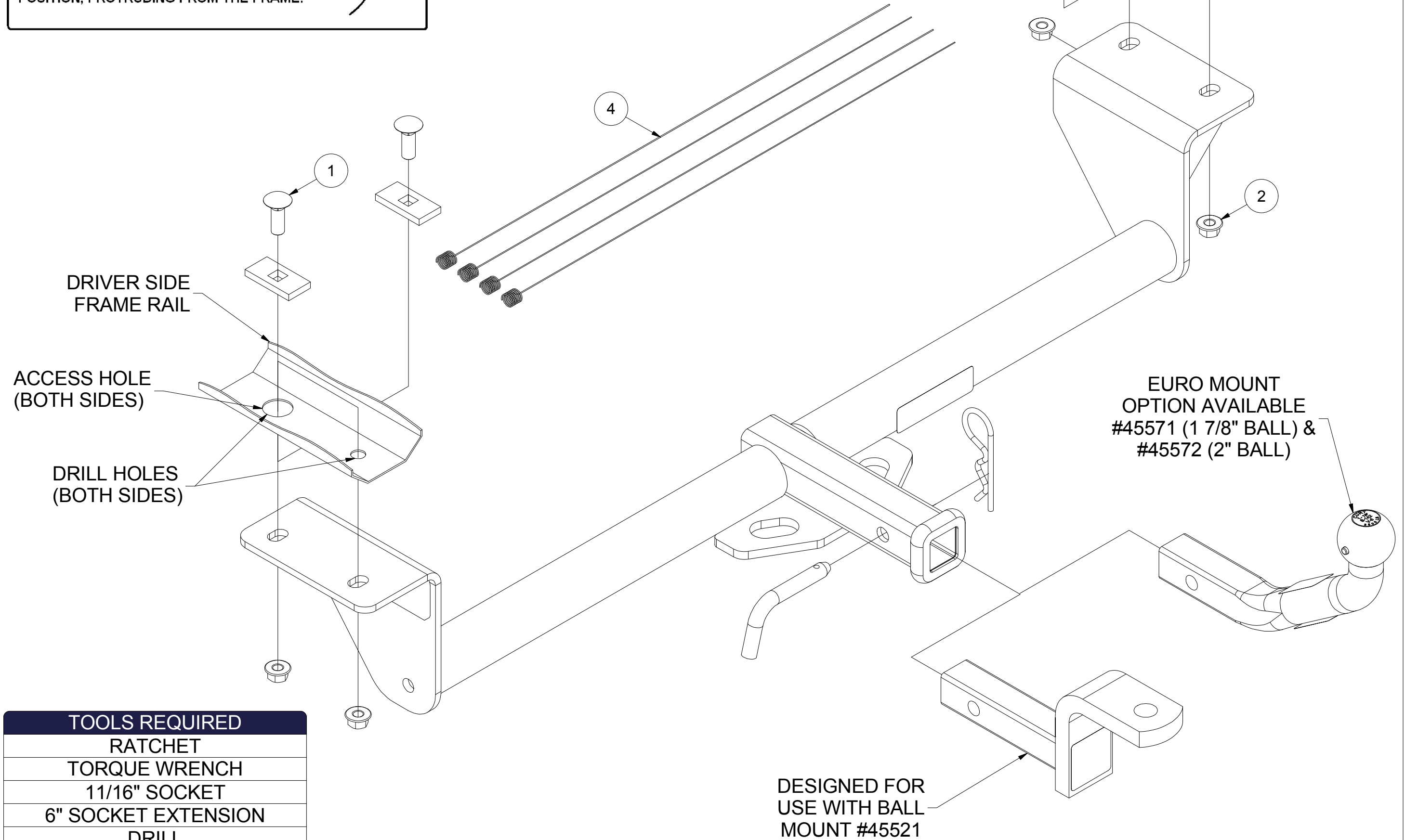
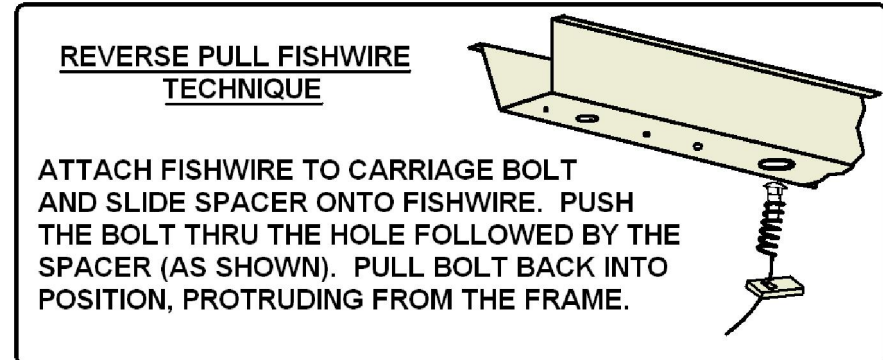
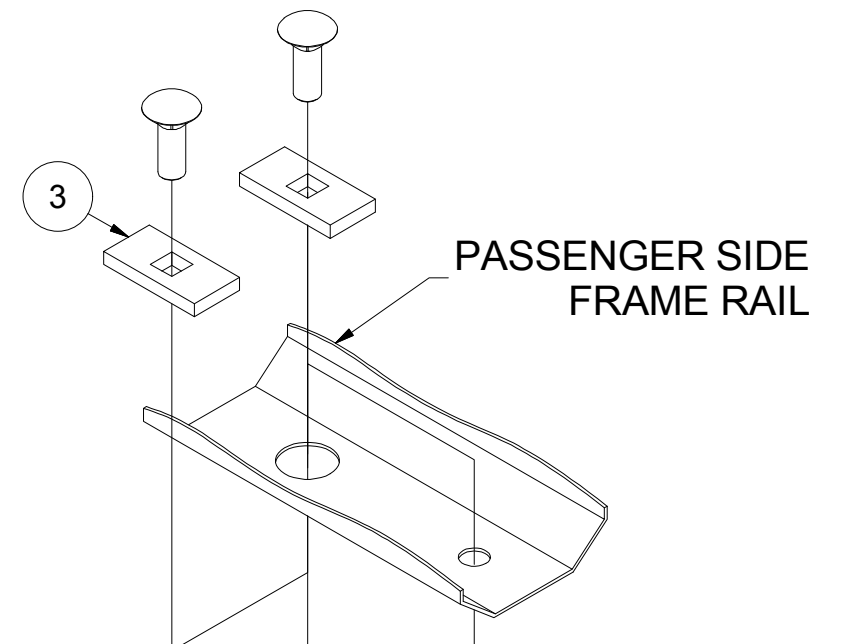
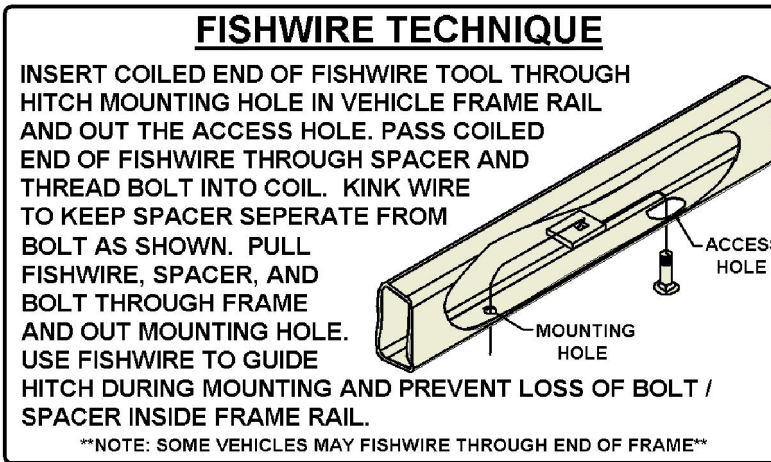
WARNING: ** FAILURE TO PROPERLY SUPPORT NON-TRAILER LOADS WILL VOID PRODUCT WARRANTY **

WARNING: * DO NOT EXCEED VEHICLE MANUFACTURER'S RECOMMENDED TOWING CAPACITY *****

FOR MORE INFORMATION LOG ONTO WWW.CURTMFG.COM & FOR HELPFUL TOWING TIPS LOG ONTO WWW.HITCHINFO.COM
HAVING INSTALLATION QUESTIONS? CALL TECHNICAL SUPPORT AT 1-800-798-0813



Parts List			
ITEM	QTY	PART NUMBER	DESCRIPTION
1	4	7/16-14 x 1 1/4	CARRIAGE BOLT
2	4	7/16-14	HEX FLANGE NUT
3	4	CM-SP7	.250 x 1.00 x 2.00" SQUARE HOLE SPACER
4	4	7_16 FISHWIRE	7/16" FISHWIRE



TOOLS REQUIRED
RATCHET
TORQUE WRENCH
11/16" SOCKET
6" SOCKET EXTENSION
DRILL
1/4" DRILL BIT
1/2" DRILL BIT
DIE GRINDER
PAINT PEN
SAFETY GLASSES

HITCH WEIGHT: 20 LBS.

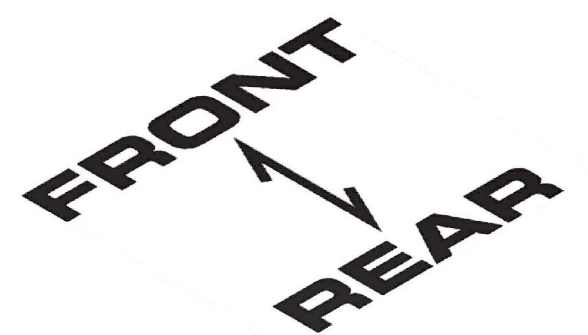
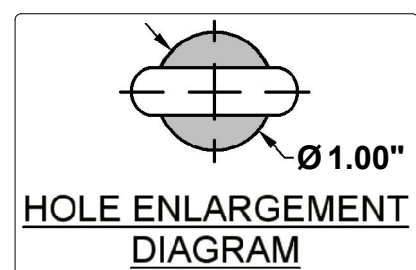
INSTALL TIME

PROFESSIONAL: 30 MINUTES

NOVICE (DIY): 60 MINUTES

INSTALL NOTES:

- DRILLING REQUIRED
- FISHWIRE
- REVERSE FISHWIRE



PERIODICALLY CHECK THIS RECEIVER HITCH TO ENSURE THAT ALL FASTENERS ARE TIGHT AND THAT ALL STRUCTURAL COMPONENTS ARE SOUND.



Scan for more information

CURT Manufacturing LLC., warrants this product to be free of defects in material and/or workmanship at the time of retail purchase by the original purchaser. If the product is found to be defective, CURT Manufacturing LLC., may repair or replace the product, at their option, when the product is returned, prepaid, with proof of purchase. Alteration to, misuse of, or improper installation of this product voids the warranty. CURT Manufacturing LLC.'s liability is limited to repair or replacement of products found to be defective, and specifically excludes liability for incidental or consequential loss or damage.

This product complies with safety specifications and requirements for connecting devices and towing systems of the state of New York, V.E.S.C.Regulation V-5 and SAE J684.

INSTALLATION STEPS

1. Raise hitch into position against the back of the frame rail. Using the hitch as a template, center the holes on the frame rail and use a paint pen to mark out the (4) hole locations.
2. Lower the hitch and use a drill and 1/4" drill bit to drill (4) holes located at the marked areas from step 1. Then, use a 1/2" drill bit to open up the holes to the final size.
3. Use a die grinder to open up the (2) forward-most holes (1) on each frame rail. (See hole enlargement diagram)
4. Using the forward-most holes that were enlarged in step 3, fishwire (2) 7/16" carriage bolts and (2) CM-SP7 spacers into the rear most holes. (See fishwire diagram).
5. Using the forward-most holes that were enlarged in step 3, reverse fishwire (2) 7/16" carriage bolts and (2) CM-SP7 spacers into the frame. (See reverse fishwire diagram).
6. Raise hitch into position running the fishwires through the holes on the hitch. Remove fishwires and loosely fasten (4) 7/16" flange nuts.
7. Torque all fasteners to 59 ft-lbs.
8. Installation Complete.

PERIODICALLY CHECK THIS RECEIVER HITCH TO ENSURE THAT ALL FASTENERS ARE TIGHT AND THAT ALL STRUCTURAL COMPONENTS ARE SOUND.

CURT Manufacturing LLC., warrants this product to be free of defects in material and/or workmanship at the time of retail purchase by the original purchaser. If the product is found to be defective, CURT Manufacturing LLC., may repair or replace the product, at their option, when the product is returned, prepaid, with proof of purchase. Alteration to, misuse of, or improper installation of this product voids the warranty. CURT Manufacturing LLC.'s liability is limited to repair or replacement of products found to be defective, and specifically excludes liability for incidental or consequential loss or damage.

This product complies with safety specifications and requirements for connecting devices and towing systems of the state of New York, V.E.S.C.Regulation V-5 and SAE J684.