

11592

88-91 HONDA CIVIC WAGON

12/7/2012

GROSS LOAD CAPACITY WHEN USED AS A WEIGHT CARRYING HITCH: 1,000 LBS. TRAILER WEIGHT & 100 LBS. TONGUE WEIGHT.

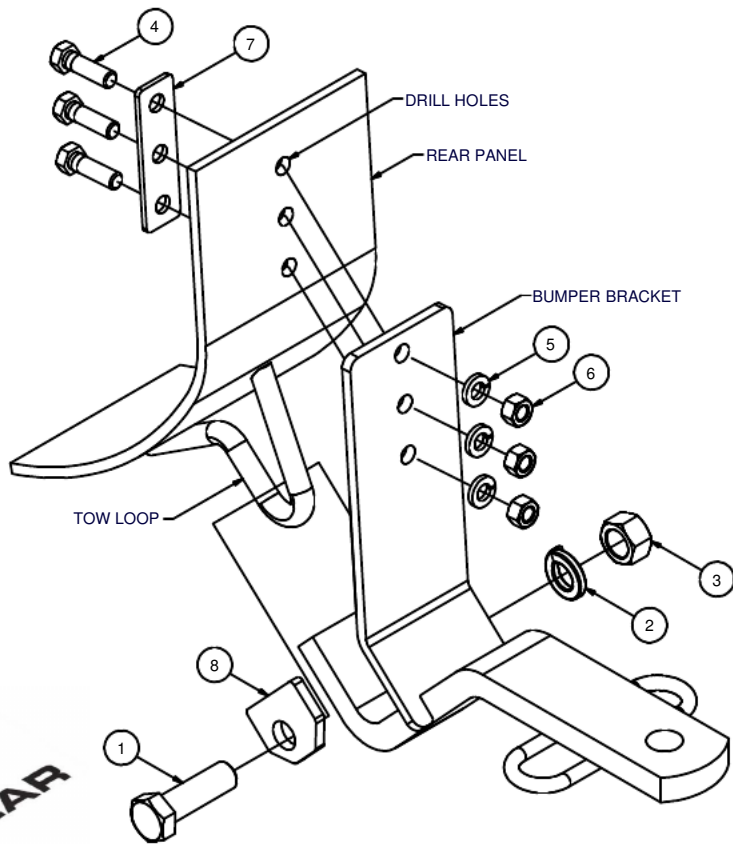
*****DO NOT EXCEED VEHICLE MANUFACTURER'S RECOMMENDED TOWING CAPACITY.*****

WARNING: ALL NON-TRAILER LOADS APPLIED TO THIS PRODUCT MUST BE SUPPORTED BY 18050 STABILIZING STRAPS.

**** FAILURE TO PROPERLY SUPPORT NON-TRAILER LOADS WILL VOID PRODUCT WARRANTY****

HAVING INSTALLATION QUESTIONS? CALL TECHNICAL SUPPORT AT 1-877-287-8634

Parts List			
ITEM	QTY	PART NUMBER	DESCRIPTION
1	1	5/8 - 11 x 2 HEX	HEX BOLT
2	1	5/8 LOCK WASHER	HELICAL LOCK WASHER
3	1	5/8 - 11 HEX-NUT	HEX NUT
4	3	3/8 - 16 x 1 1/4	HEX BOLT
5	3	3/8"	LOCK WASHER
6	3	3/8 - 16	HEX NUT
7	1	CM-11592-BP	11 GA. BACKING PLATE
8	1	CM-11592-SP	.250" SPACER



HITCH WEIGHT: .8 LBS.

INSTALL TIME

PROFESSIONAL: 45 MINUTES

NOVICE (DIY): 90 MINUTES

INSTALL NOTES:

- DRILLING REQUIRED
- TEMPORARILY REMOVE BUMPER

INSTALLATION STEPS

1. Remove the rear bumper from the vehicle to install the hitch.
 - Remove the screws fastening the mud flaps to the bumper fascia at the rear edge of rear tire well. Flap does not have to be removed from tire well.
 - Remove the plastic cover over two bumper screws on each side of vehicle from under the vehicle and rear bumper. Then remove the two bumper screws.
 - Locate and remove one bumper screw from each side under plastic cover inside the rear of cargo area.
 - Remove the rear bumper.
2. Place hitch under tow loop until hitch is flush with tow loop and bumper bracket on hitch is flush and straight with the vehicle's rear panel. Use CM-11592-SP and 5/8" fasteners to sandwich tow loop against hitch.
3. Use hitch's bumper bracket as a template for drilling rear panel for fasteners. Check the hitch position on the vehicle so these holes will be centered on 1" wide recess inside the rear panel. Drill through the rear panel for 3/8" diameter bolts.
4. Fasten hitch to rear panel using 3/8" fasteners with CM-11592-BP inside the rear panel as shown.
5. Torque all 3/8" fasteners to 45 lb-ft, and all 5/8" fasteners to 210 lb-ft.
6. Reinstall rear bumper in the reverse order of directions from Step 1.

PERIODICALLY CHECK THIS RECEIVER HITCH TO ENSURE THAT ALL FASTENERS ARE TIGHT AND THAT ALL STRUCTURAL COMPONENTS ARE SOUND.

Curt Manufacturing Inc., warrants this product to be free of defects in material and/or workmanship at the time of retail purchase by the original purchaser. If the product is found to be defective, Curt Manufacturing Inc., may repair or replace the product, at their option, when the product is returned, prepaid, with proof of purchase. Alteration to, misuse of, or improper installation of this product voids the warranty. Curt Manufacturing Inc.'s liability is limited to repair or replacement of products found to be defective, and specifically excludes liability for incidental or consequential loss or damage.