

**11549****89-93 NISSAN 240 SX FASTBACK**

12/7/2012

GROSS LOAD CAPACITY WHEN USED AS A WEIGHT CARRYING HITCH: 1,500 LBS. TRAILER WEIGHT &amp; 150 LBS. TONGUE WEIGHT.

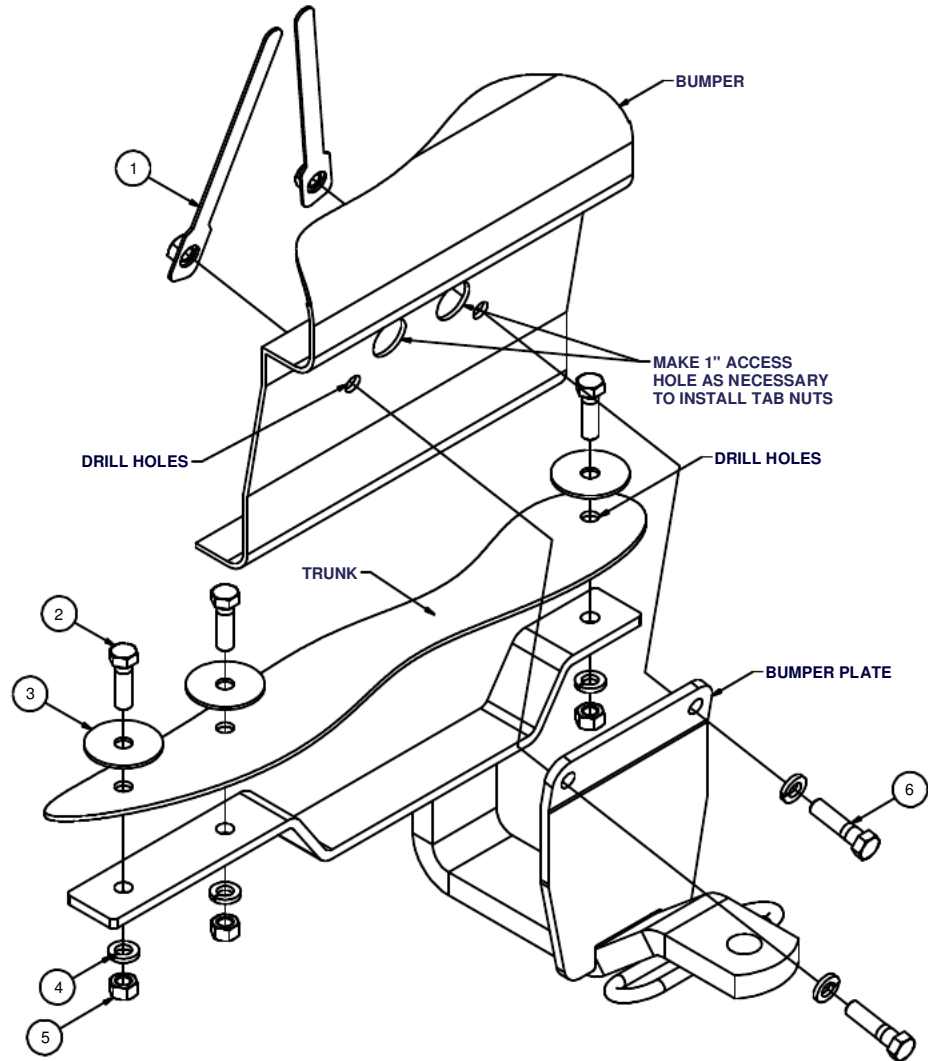
**\*\*\*DO NOT EXCEED VEHICLE MANUFACTURER'S RECOMMENDED TOWING CAPACITY.\*\*\***

WARNING: ALL NON-TRAILER LOADS APPLIED TO THIS PRODUCT MUST BE SUPPORTED BY 18050 STABILIZING STRAPS.

**\*\* FAILURE TO PROPERLY SUPPORT NON-TRAILER LOADS WILL VOID PRODUCT WARRANTY\*\***

HAVING INSTALLATION QUESTIONS? CALL TECHNICAL SUPPORT AT 1-877-287-8634

Parts List			
ITEM	QTY	PART NUMBER	DESCRIPTION
1	2	3/8-16 TAB NUT	HANDLE NUT
2	3	3/8 - 16 x 1 1/4	HEX BOLT
3	3	3/8"	FENDER WASHER
4	5	3/8"	LOCK WASHER
5	3	3/8 - 16	HEX NUT
6	2	3/8-16 X 1 1/2	HEX TAP BOLT



HITCH WEIGHT: 8.5 LBS.

INSTALL TIME

PROFESSIONAL: 20 MINUTES

NOVICE (DIY): 40 MINUTES

INSTALL NOTES:

- CLEAR TRUNK OF CONTENTS
- DRILLING REQUIRED
- REMOVE LICENSE PLATE
- SILICONE AROUND HARDWARE

**INSTALLATION STEPS**

1. Temporarily remove rear license plate. Hitch bumper plate will bolt to vehicle's rear bumper beam in license plate recess area. Hitch chassis bracket bolts to vehicle's floor pan. Be certain to clear trunk before drilling.
2. Locate vehicle's center line at rear bumper and support hitch on vehicle centered and square. Using the hitch as a template, mark, centerpunch, and drill bumper and trunk for 3/8" diameter mounting bolts. Drill 1" access holes as shown to install handle nuts.
3. Bolts attaching the hitch bumper plate to rear bumper are placed so tab nuts are inside of the bumper. Fasten hitch to vehicle floor with washers placed as shown.
4. Silicone around fasteners in trunk pan to prevent water and exhaust fumes from leaking into vehicle.
5. Torque all 3/8" fasteners to 45 ft-lbs.

**PERIODICALLY CHECK THIS RECEIVER HITCH TO ENSURE THAT ALL FASTENERS ARE TIGHT AND THAT ALL STRUCTURAL COMPONENTS ARE SOUND.**

Curt Manufacturing Inc., warrants this product to be free of defects in material and/or workmanship at the time of retail purchase by the original purchaser. If the product is found to be defective, Curt Manufacturing Inc., may repair or replace the product, at their option, when the product is returned, prepaid, with proof of purchase. Alteration to, misuse of, or improper installation of this product voids the warranty. Curt Manufacturing Inc.'s liability is limited to repair or replacement of products found to be defective, and specifically excludes liability for incidental or consequential loss or damage.