

11511 89-95 BMW 5-SERIES SEDAN & WAGON, EXCEPT M5

12/02/2020

GROSS LOAD CAPACITY WHEN USED AS A WEIGHT CARRYING HITCH: 1,500 LBS. TRAILER WEIGHT & 150 LBS. TONGUE WEIGHT.

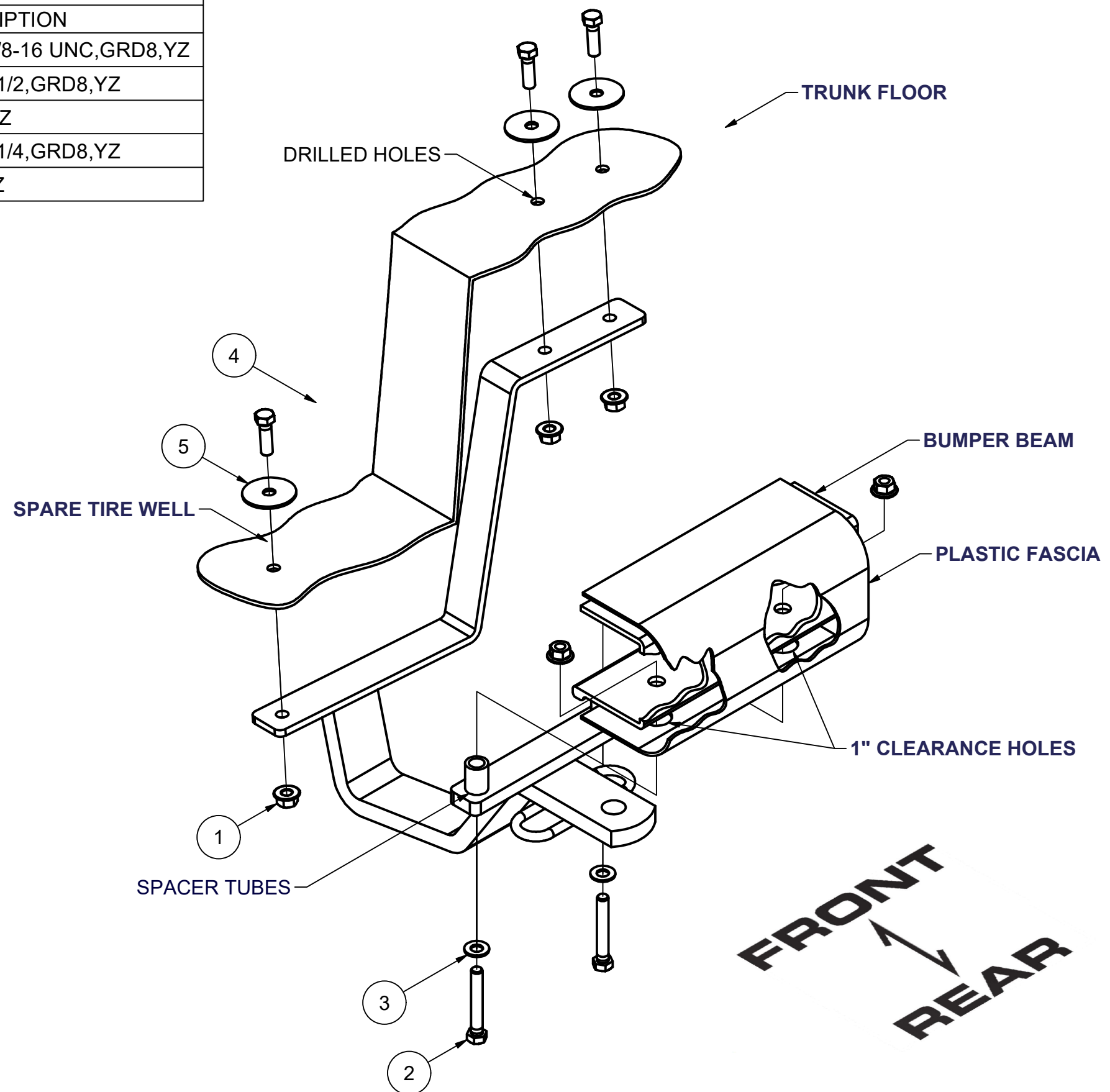
*****DO NOT EXCEED VEHICLE MANUFACTURER'S RECOMMENDED TOWING CAPACITY.*****

WARNING: ALL NON-TRAILER LOADS APPLIED TO THIS PRODUCT MUST BE SUPPORTED BY 18050 STABILIZING STRAPS.

**** FAILURE TO PROPERLY SUPPORT NON-TRAILER LOADS WILL VOID PRODUCT WARRANTY****

HAVING INSTALLATION QUESTIONS? CALL TECHNICAL SUPPORT AT 1-877-287-8634

Parts List				
ITEM	QTY	PART NUMBER	DESCRIPTION	
1	5	20-00102	NUT,SER-FLANGE,3/8-16 UNC,GRD8,YZ	
2	2	10-10581	HHCS,3/8-16 UNC,2-1/2,GRD8,YZ	
3	2	30-00186	WASHER,FLAT,3/8,YZ	
4	3	10-10339	HHCS,3/8-16 UNC,1-1/4,GRD8,YZ	
5	3	30-00205	WASHER,FDR,3/8,CZ	



HITCH WEIGHT: 10 LBS.

INSTALL TIME

PROFESSIONAL: 30 MINUTES

NOVICE (DIY): 60 MINUTES

INSTALL NOTES:

- DRILLING REQUIRED
- REMOVE SPARE TIRE
- SILICONE SEAL DRILLED HOLES

INSTALLATION STEPS

1. This hitch mounts to the vehicle's aluminum rear bumper beam (through bumper fascia), spare tire well and trunk floor area. A 1" diameter hole saw is recommended for (2) clearance holes in bumper fascia.
2. Remove contents from trunk and spare tire well.
3. Locate and mark center on the rear bumper fascia. Hold hitch up to vehicle on center and locate for 1" clearance holes in fascia for hitch spacer tubes. Mark and drill bumper fascia for these(2) holes.
4. Raise the hitch into position and carefully mark bumper beam, spare tire well and trunk floor for 3/8" diameter mounting bolts. Centerpunch and drill these mounting holes.
5. Install hardware as shown. Be certain to use the fender washers inside the vehicle as shown.
6. Torque all 3/8" fasteners to 45 lb-ft.
7. Use silicone sealant to seal hardware installed through trunk and spare tire well.
8. Reinstall contents removed in Step 2.

PERIODICALLY CHECK THIS RECEIVER HITCH TO ENSURE THAT ALL FASTENERS ARE TIGHT AND THAT ALL STRUCTURAL COMPONENTS ARE SOUND.

Curt Manufacturing Inc., warrants this product to be free of defects in material and/or workmanship at the time of retail purchase by the original purchaser. If the product is found to be defective, Curt Manufacturing Inc., may repair or replace the product, at their option, when the product is returned, prepaid, with proof of purchase. Alteration to, misuse of, or improper installation of this product voids the warranty. Curt Manufacturing Inc.'s liability is limited to repair or replacement of products found to be defective, and specifically excludes liability for incidental or consequential loss or damage.