

11452

88-96 CHEVY BERETTA / CORSICA

11/30/2012

GROSS LOAD CAPACITY WHEN USED AS A WEIGHT CARRYING HITCH: 2,000 LBS. TRAILER WEIGHT & 200 LBS. TONGUE WEIGHT.

\*\*\*DO NOT EXCEED VEHICLE MANUFACTURER'S RECOMMENDED TOWING CAPACITY.\*\*\*

WARNING: ALL NON-TRAILER LOADS APPLIED TO THIS PRODUCT MUST BE SUPPORTED BY AUXILIARY STABILIZING STRAPS.

\*\* FAILURE TO PROPERLY SUPPORT NON-TRAILER LOADS WILL VOID PRODUCT WARRANTY\*\*

HAVING INSTALLATION QUESTIONS? CALL TECHNICAL SUPPORT AT 1-800-798-0813

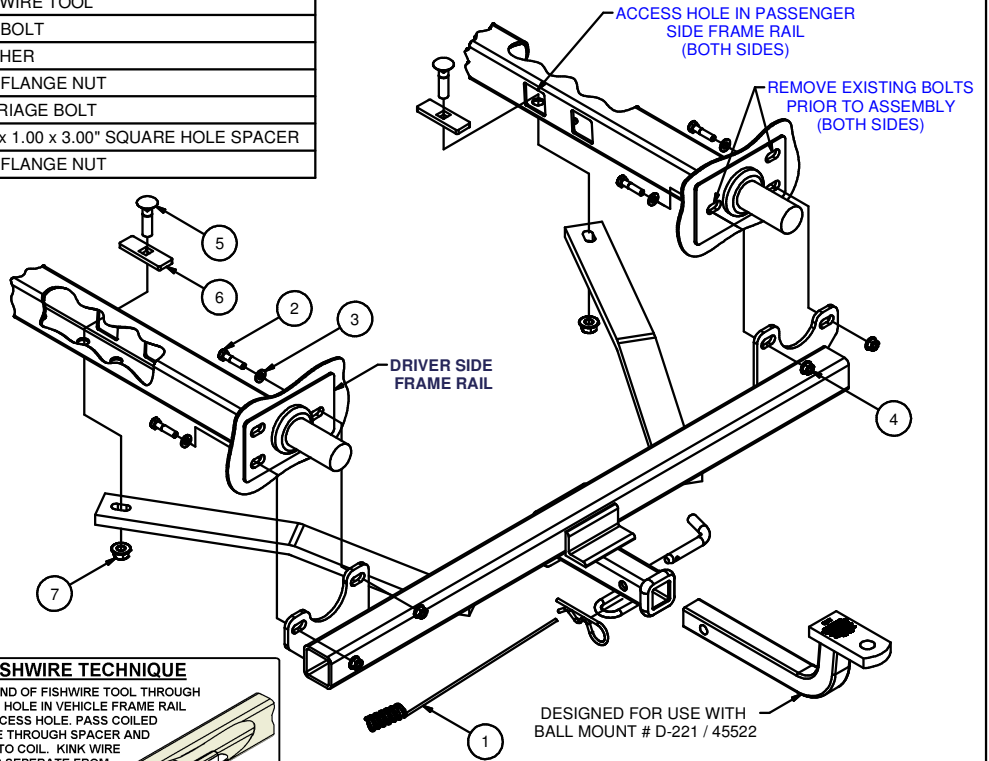
Parts List			
ITEM	QTY	PART NUMBER	DESCRIPTION
1	1	1/2"	FISHWIRE TOOL
2	4	M8-1.25 x 40	HEX BOLT
3	4	5/16"	WASHER
4	4	M8 - 1.25 HEX FLANGE NUT	HEX FLANGE NUT
5	2	1/2 - 13 x 2"	CARRIAGE BOLT
6	2	CM-SP6	.250 x 1.00 x 3.00" SQUARE HOLE SPACER
7	2	HFN 1213	HEX FLANGE NUT

**RUBBER ISOLATOR REMOVAL DIAGRAM**

This technique can be used if and Exhaust Hanger Removal Pliers is not available.

Using a 5/8" open end wrench, slide the wrench up to the rubber isolator, cradling the hanger rod as shown. Next place the flat edge of a pry bar between the wrench and the hanger stop or hanger rod. Then simply rotate the pry bar toward the wrench to remove the rubber isolator.

Note: Using a spray lubricant or soapy water on the hanger rod and the rubber isolator helps removal.



FRONT  
↕  
REAR

HITCH WEIGHT: 44 LBS.  
INSTALL TIME  
PROFESSIONAL: 30 MINUTES  
NOVICE (DIY): 60 MINUTES  
INSTALL NOTES:  
-NO DRILLING REQUIRED  
-LOWER EXHAUST  
-REMOVE HEAT SHIELD  
-FISHWIRE HARDWARE

**FISHWIRE TECHNIQUE**

INSERT COILED END OF FISHWIRE TOOL THROUGH HITCH MOUNTING HOLE IN VEHICLE FRAME RAIL AND OUT THE ACCESS HOLE. PASS COILED END OF FISHWIRE THROUGH SPACER AND THREAD BOLT INTO COIL. KINK WIRE TO KEEP SPACER SEPARATE FROM BOLT AS SHOWN. PULL FISHWIRE, SPACER, AND BOLT THROUGH FRAME AND OUT MOUNTING HOLE. USE FISHWIRE TO GUIDE HITCH DURING MOUNTING AND PREVENT LOSS OF BOLT / SPACER INSIDE FRAME RAIL.

\*\*NOTE: SOME VEHICLES MAY FISHWIRE THROUGH END OF FRAME\*\*

**INSTALLATION STEPS**

1. Unbolt (2) exhaust hangers located at the front and rear of the muffler. Also disconnect the rubber exhaust hanger on the outside of the exhaust muffler.
2. Remove (4) existing bolts (two each side) securing the bumper brackets on each side of the bumper.
3. Remove the heat shield from above the muffler. This shield may be discarded or re-installed after installation.
4. Insert 8mm bolts where existing fasteners were removed and position the hitch for install. Finger tighten (4) hex flange nuts on the opposite side as shown.
5. Fishwire 1/2" bolts and spacers through the side of the frame rail as shown. Select the frame holes that mate up to the holes in the hitch. Install 1/2" flange nuts.
6. Trim and replace heat shield. Re-install the exhaust.
7. Torque all 8mm fasteners to 23 lb-ft, and all 1/2" fasteners to 110 lb-ft.

**PERIODICALLY CHECK THIS RECEIVER HITCH TO ENSURE THAT ALL FASTENERS ARE TIGHT AND THAT ALL STRUCTURAL COMPONENTS ARE SOUND.**

Curt Manufacturing Inc., warrants this product to be free of defects in material and/or workmanship at the time of retail purchase by the original purchaser. If the product is found to be defective, Curt Manufacturing Inc., may repair or replace the product, at their option, when the product is returned, prepaid, with proof of purchase. Alteration to, misuse of, or improper installation of this product voids the warranty. Curt Manufacturing Inc.'s liability is limited to repair or replacement of products found to be defective, and specifically excludes liability for incidental or consequential loss or damage.