

YEARS: 2011-CURRENT

MAKE: BMW

MODEL: S-SERIES

STYLE: SEDAN

WARNING: NEVER EXCEED YOUR VEHICLE MANUFACTURER'S RECOMMENDED TOWING CAPACITY

WEIGHT CARRYING:
 TRAILER WEIGHT: 2,000 LBS.
 TONGUE WEIGHT: 200 LBS.

WARNING:
 WE RECOMMEND THE USE OF 18050 STABILIZING STRAPS FOR ALL NON-TRAILER (WHEEL-LESS) LOADS. PLEASE SEE THE CURT CATALOG OR VISIT US ONLINE AT WWW.CURTMFG.COM FOR FURTHER INFORMATION.

PRO INSTALL TIME: 60 MIN.
NOVICE INSTALL TIME: 120 MIN.

IF YOU ARE HESITANT TO UNDERTAKE THIS TASK ON YOUR OWN, CONTACT AN AUTHORIZED CURT INSTALLER FOR ADDITIONAL ASSISTANCE.

INSTALLATION REQUIRES:

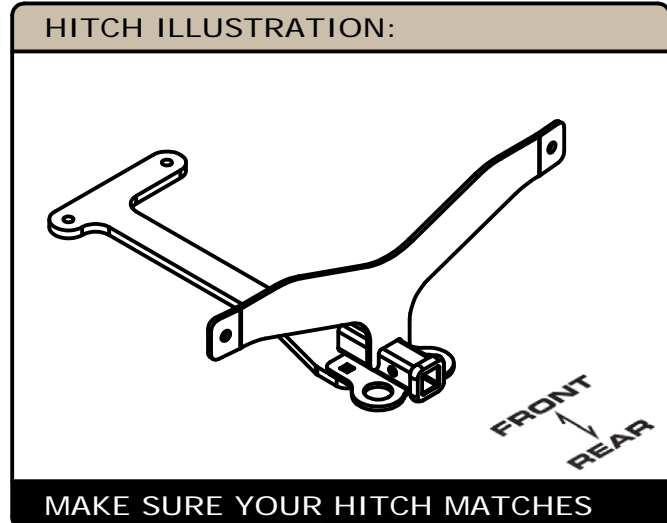
| | | |
|--|--|--|
| | | |
| | | |
| | | |
| | | |
| | | |

INSTALLATION TIPS:

- BEFORE YOU BEGIN INSTALLATION, READ ALL INSTRUCTIONS THOROUGHLY.
- TO EASE INSTALLATION, 2 PEOPLE MAY BE REQUIRED.
- USING PROPER TOOLS WILL GREATLY IMPROVE THE QUALITY OF THE INSTALL AND REDUCE THE TIME REQUIRED.
- NEED HELP OR HAVE SOME QUESTIONS? CALL TECHNICAL SUPPORT AT 800.798.0813

LEVEL OF DIFFICULTY: MODERATE

| EASY | MODERATE | CHALLENGING |
|------|---|-------------|
| | FISHWIRE (2) 1/2" CARRIAGE BOLTS AND SPACERS | |
| | DRILL (2) HOLES IN TRUNK PAN FOR 1/2" FASTENERS | |
| | TRIM UNDERBODY PANEL | |
| | REMOVE, TRIM AND REINSTALL UNDERBODY PANEL CLEAR TRUNK OF CONTENTS | |

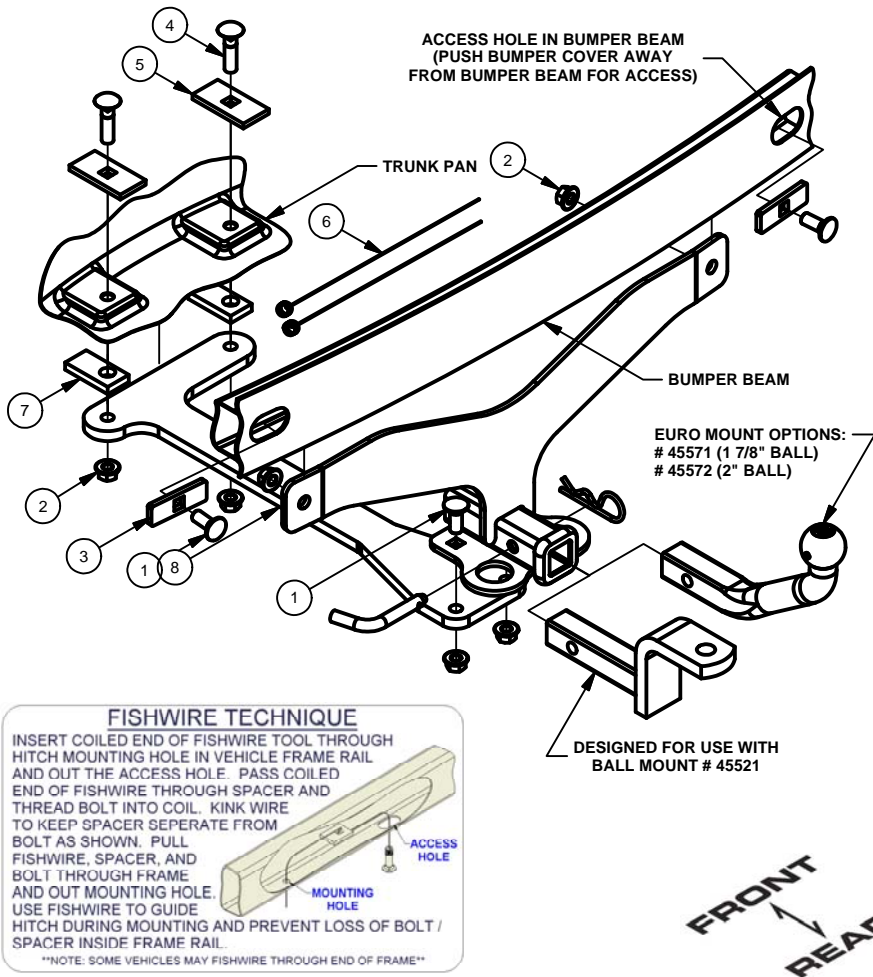


PERIODICALLY CHECK THIS RECEIVER HITCH TO ENSURE ALL FASTENERS ARE TIGHT AND ALL STRUCTURAL COMPONENTS ARE SOUND CURT Manufacturing LLC. warrants this product to be free of defects in material and/or workmanship at the time of retail purchase by the original purchaser. If the product is found to be defective, Curt Manufacturing LLC. may repair or replace the product at their option, when the product is returned, prepaid, with proof of purchase. Alteration to, misuse of, or improper installation of this product voids the warranty. Curt Manufacturing LLC.'s liability is limited to repair or replacement of products found to be defective, and specifically excludes liability for incidental or consequential loss or damage. For more information log onto www.curtmfg.com, & for helpful towing tips log onto www.hitchinfo.com

2/3/14

INSTALLATION WALKTHROUGH:

| Parts List | | | |
|------------|-----|---------------------|--|
| ITEM | QTY | PART NUMBER | DESCRIPTION |
| 1 | 4 | 1/2-13 x 1 1/4, GR8 | CARRIAGE BOLT |
| 2 | 6 | HFN 1213, GR8 | HEX FLANGE NUT |
| 3 | 2 | CM-SP6 | .250 x 1.00 x 3.00" SQUARE HOLE SPACER |
| 4 | 2 | 1/2 - 13 x 2", GR8 | CARRIAGE BOLT, GR8 |
| 5 | 2 | CM-SP4 | .250 x 1.50 x 3.00" SQUARE HOLE SPACER |
| 6 | 2 | 1_2 FISHWIRE | 1/2" FISHWIRE |
| 7 | 2 | CM-SP55 | .375 x 1.25 x 2.50" ROUND HOLE SPACER |
| 8 | 1 | 11381-TB | .500" TAIL BRACKET |



- 1) Remove underbody panel that attaches the bumper cover to the trunk pan using a 10mm socket and plastic rivet remover. Save for later reinstallation.



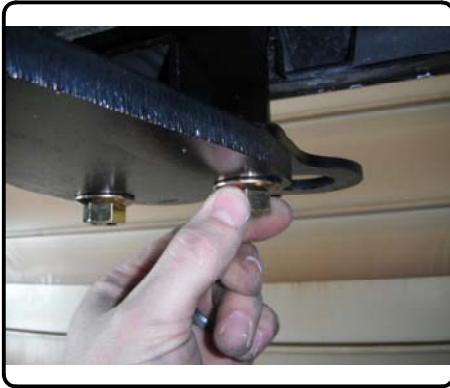
- 2) Fishwire (2) 1/2" -13 X 1 1/4" carriage bolts and (2) SP6 spacers into the existing holes in the bumper beam as shown in the diagram above. Raise hitch into position and loosely install the 1/2" hex flange nuts.



INSTALLATION WALKTHROUGH:

- 3) Temporarily install the tail bracket to the hitch and using the tail bracket as a template, mark the trunk pan for the required drill holes.

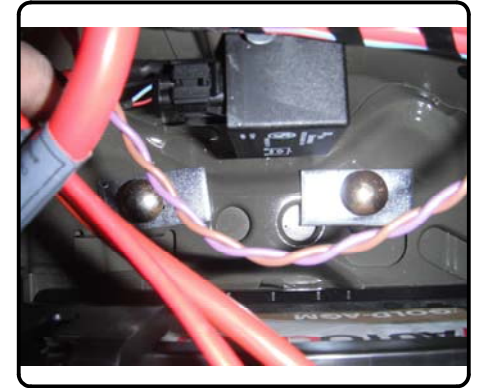
Note: Clear the truck pan of all contents and slide battery towards the rear of the vehicle before drilling.



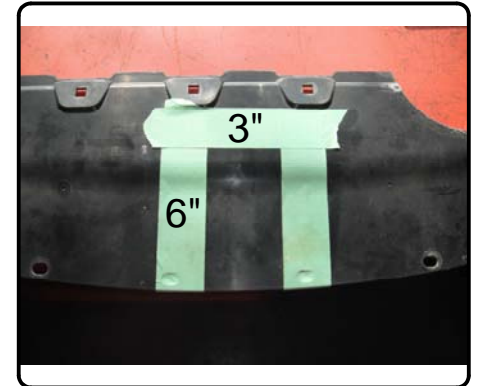
- 4) Remove tail bracket and drill both holes from below the vehicle using a 17/32" drill bit (for 1/2" fasteners). Reinstall the tail bracket to the hitch using (2) 1/2" - 13 X 1 1/4" carriage bolts and 1/2" hex flange nuts.



- 5) Apply silicone caulk to the SP4 spacers and remaining 1/2" carriage bolts and install into the trunk pan and tail bracket as shown and loosely install the remaining 1/2" hex flange nuts.



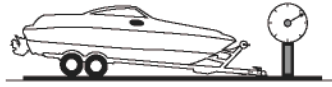
- 6) Torque all 1/2" fasteners to 110 lb. - ft. Trim underbody panel as required and reinstall onto vehicle. Slide battery back into position and reinstall carpet and trunk contents removed in step 3



TOWING SAFETY INFORMATION

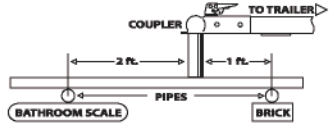
Gross Trailer Weight / GTW

The Gross Trailer Weight is the weight of the trailer & cargo. Measure this by putting the fully loaded trailer on a vehicle scale.



Tongue Weight / TW

The downward force that is exerted on the hitch ball by the coupler. The tongue weight will vary depending on where the load is positioned in relationship to the trailer axle(s). To measure the tongue weight, use either a commercial scale or a bathroom scale with the coupler at towing height. When using a bathroom scale with heavier tongue weights, use the method shown and multiply the scale reading by 3.



Weight Carrying / WC

The total weight of both the trailer and the cargo inside. Never exceed the weight capacity of your trailer hitch.

Weight Distribution / WD

Used to balance the weight of the cargo between the front and rear wheels throughout the trailer, allowing for better steering, braking, and level riding.



Sway Control

A device used to reduce the lateral movements of the trailer that are caused by the wind. This works in conjunction with a weight distribution hitch. Do not use this on a class 1 or 2 hitch, or with surge brakes.

How Much Can You Safely Tow?

| TONGUE WEIGHT lbs | 1000 | 2000 | 3000 | 4000 | 5000 | 6000 | 7000 | 8000 | 10,000 | 12,000 |
|---|------|------|------|------|------|------|------|------|--------|--------|
| Tongue weight should be about 10 to 15 percent of the gross trailer weight. | | | | | | | | | | |
| CLASS 1 | | | | | | | | | | |
| CLASS 2 | | | | | | | | | | |
| CLASS 3 | | | | | | | | | | |
| CLASS 4 | | | | | | | | | | |
| CLASS 5 | | | | | | | | | | |
| Camper | 11' | 12' | 13' | 14' | 15' | 16' | | | | |
| lbs | 1100 | 1200 | 1300 | 1400 | 1500 | 1600 | | | | |
| Vacation | 14' | 16' | 18' | 20' | 22' | 24' | 26' | 28' | 30' | 32' |
| lbs | 2100 | 2400 | 2700 | 3000 | 3300 | 3600 | 3900 | 4200 | 4500 | 4800 |
| Vacation | 14' | 16' | 18' | 20' | 22' | 24' | 26' | 28' | 30' | 32' |
| lbs | 2800 | 3200 | 3600 | 4000 | 4400 | 4800 | 5200 | 5600 | 6000 | 6400 |
| 5th Wheel | | | | | | | | | | |

Refer to owner's manual for towing capabilities and limitations.

Ball Mount

The ball mount is placed inside the opening of the receiver hitch which is mounted to the vehicle. Make sure a hitch pin and clip is properly securing the ball mount to the receiver hitch before you begin towing.

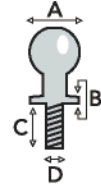
- A: Rise. B: Drop. C: Hole Size. D: Length.



Trailer Ball

The connection from the hitch to the trailer. There are many factors that determine the correct hitch ball:

- Number one is the hitch ball's gross trailer weight rating.
- The mounting platform must be at least 3/8" thick.
- The hole diameter must not be more than 1/16" larger than the threaded shank.
- Every time you tow, check the nut and lock washer to make sure they are fastened securely.
- A: Ball Dia. B: Shank Dia. C: Shank Length. D: Shank Rise.



Coupler

The component that is placed over the trailer ball to connect the vehicle to the trailer. Be sure that the coupler size matches the size of the hitch ball and that the coupler handle is securely fastened. To determine what size hitch ball you need for your application you will need to know the size of coupler that is on the trailer. Be sure your coupler is properly adjusted to the ball you are using.

NOTE: For added security the use of safety devices such as Coupler Safety Pins and Locks is strongly recommended.

Safety Chains

Safety chains are a requirement and should be crossed under the tongue of the trailer so that the tongue will not drop to the road if it becomes separated from the hitch. Always leave enough slack so you can turn. Never allow the safety chains to drag on the ground and never attach the chains to the bumper.

Trailer Classification: Safety Chain Breaking Force - Minimum

Class 1: 2,000 lbs. (8.9 kN)

Class 2: 3,500 lbs. (15.6 kN)

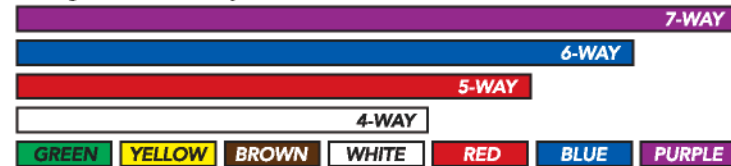
Class 3: 5,000 lbs. (22.2 kN)

The strength rating of each length of safety chain or its equivalent and its attachments shall be equal to or exceed in minimum breaking force the GVWR (Gross Vehicle Weight Rating) of the trailer.

Electrical

Trailer lights, Electric Brakes, Break-away systems - Every time you tow, be sure to check that all components are working properly.

Wiring identification by color:



11381

BMW 5-SERIES (SEDAN)

2/3/14

GROSS LOAD CAPACITY WHEN USED AS A WEIGHT CARRYING HITCH: 2,000 LBS. TRAILER WEIGHT & 200 LBS. TONGUE WEIGHT.

DO NOT EXCEED VEHICLE MANUFACTURER'S RECOMMENDED TOWING CAPACITY.

WARNING: ALL NON-TRAILER LOADS APPLIED TO THIS PRODUCT MUST BE SUPPORTED BY 18050 STABILIZING STRAPS.

** FAILURE TO PROPERLY SUPPORT NON-TRAILER LOADS WILL VOID PRODUCT WARRANTY**

HAVING INSTALLATION QUESTIONS? CALL TECHNICAL SUPPORT AT 1-800-798-0813

| Parts List | | | |
|------------|-----|---------------------|--|
| ITEM | QTY | PART NUMBER | DESCRIPTION |
| 1 | 4 | 1/2-13 x 1 1/4, GR8 | CARRIAGE BOLT |
| 2 | 6 | HFN 1213, GR8 | HEX FLANGE NUT |
| 3 | 2 | CM-SP6 | .250 x 1.00 x 3.00" SQUARE HOLE SPACER |
| 4 | 2 | 1/2 - 13 x 2", GR8 | CARRIAGE BOLT, GR8 |
| 5 | 2 | CM-SP4 | .250 x 1.50 x 3.00" SQUARE HOLE SPACER |
| 6 | 2 | 1_2 FISHWIRE | 1/2" FISHWIRE |
| 7 | 2 | CM-SP55 | .375 x 1.25 x 2.50" ROUND HOLE SPACER |
| 8 | 1 | 11381-TB | .500" TAIL BRACKET |

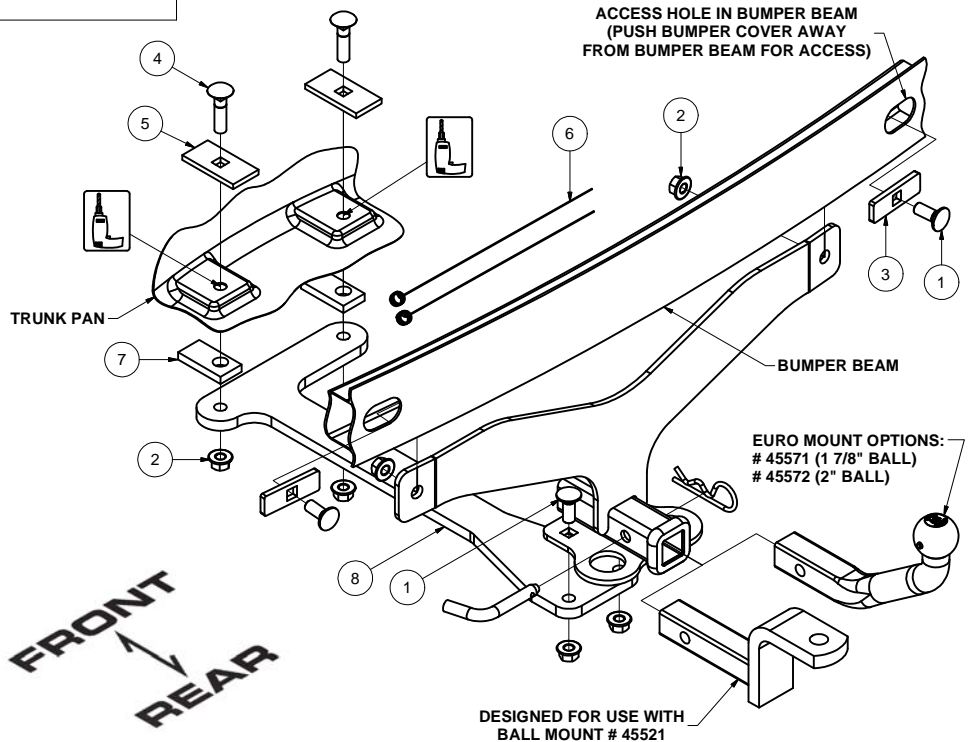
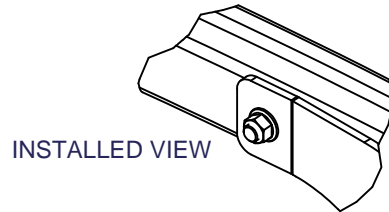
| TOOLS REQUIRED |
|-----------------------------|
| RATCHET and 6" EXTENSION |
| TORQUE WRENCH |
| 3/4", 13mm SOCKETS |
| 10mm, 11mm SOCKETS |
| DRILL WITH 17/32" DRILL BIT |
| SILICONE CAULK |
| PLASTIC RIVET REMOVAL TOOL |
| TIN SNIPS /AVIATOR SHEARS |
| MASKING TAPE |
| SAFETY GOGGLES |

FISHWIRE TECHNIQUE

INSERT COILED END OF FISHWIRE TOOL THROUGH HITCH MOUNTING HOLE IN VEHICLE FRAME RAIL AND OUT THE ACCESS HOLE. PASS COILED END OF FISHWIRE THROUGH SPACER AND THREAD BOLT INTO COIL. KINK WIRE TO KEEP SPACER SEPERATE FROM BOLT AS SHOWN. PULL FISHWIRE, SPACER, AND BOLT THROUGH FRAME AND OUT MOUNTING HOLE. USE FISHWIRE TO GUIDE HITCH DURING MOUNTING AND PREVENT LOSS OF BOLT / SPACER INSIDE FRAME RAIL.

NOTE: SOME VEHICLES MAY FISHWIRE THROUGH END OF FRAME

HITCH WEIGHT: 19 LBS.
 INSTALL TIME
 PROFESSIONAL: 60 MINUTES
 NOVICE (DIY): 120 MINUTES
 INSTALL NOTES:
 - DRILLING REQUIRED
 - REMOVE UNDERBODY PANEL / TRIM
 - FISHWIRE FASTENERS



INSTALLATION STEPS

- 1) Remove underbody panel that attaches the bumper cover to the trunk pan using a 10mm socket and rivet removal tool. Save for later reinstallation.
 - 2) Fishwire (2) 1/2" -13 X 1 1/4" carriage bolts and (2) SP6 spacers into the existing holes in the bumper beam as shown in the diagram above. Raise hitch into position and loosely install the 1/2" hex flange nuts.
 - 3) Temporarily install the tail bracket to the hitch. Using the tail bracket as a template, mark the trunk pan for the required drill holes.
- Note:** Clear the truck pan of all contents and slide battery towards the rear of the vehicle before drilling.
- 4) Remove tail bracket and drill both holes from below of the vehicle using a 17/32" drill bit (for 1/2" fasteners). Reinstall the tail bracket to the hitch using (2) 1/2" - 13 X 1 1/4" carriage bolts and 1/2" hex flange nuts.
 - 5) Apply silicone caulk to the SP4 spacers and remaining 1/2" carriage bolts. Install hardware into the trunk pan and tail bracket as shown. Loosely install the remaining 1/2" hex flange nuts.
 - 6) Torque all 1/2" fasteners to 110 lb-ft. Trim underbody panel as required and reinstall onto vehicle. slide the battery back into position and reinstall carpet and trunk contents removed in step 3.

PERIODICALLY CHECK THIS RECEIVER HITCH TO ENSURE THAT ALL FASTENERS ARE TIGHT AND THAT ALL STRUCTURAL COMPONENTS ARE SOUND.



Scan for more information

Curt Manufacturing LLC., warrants this product to be free of defects in material and/or workmanship at the time of retail purchase by the original purchaser. If the product is found to be defective, Curt Manufacturing LLC., may repair or replace the product, at their option, when the product is returned, prepaid, with proof of purchase. Alteration to, misuse of, or improper installation of this product voids the warranty. Curt Manufacturing LLC.'s liability is limited to repair or replacement of products found to be defective, and specifically excludes liability for incidental or consequential loss or damage.