

11336

ACURA RL

6/23/2020

GROSS LOAD CAPACITY WHEN USED AS A WEIGHT CARRYING HITCH: 2,000 LBS. TRAILER WEIGHT & 200 LBS. TONGUE WEIGHT.

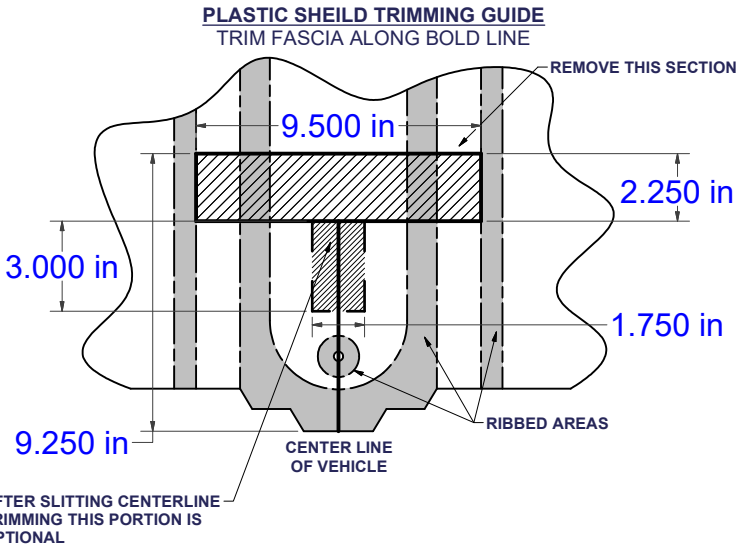
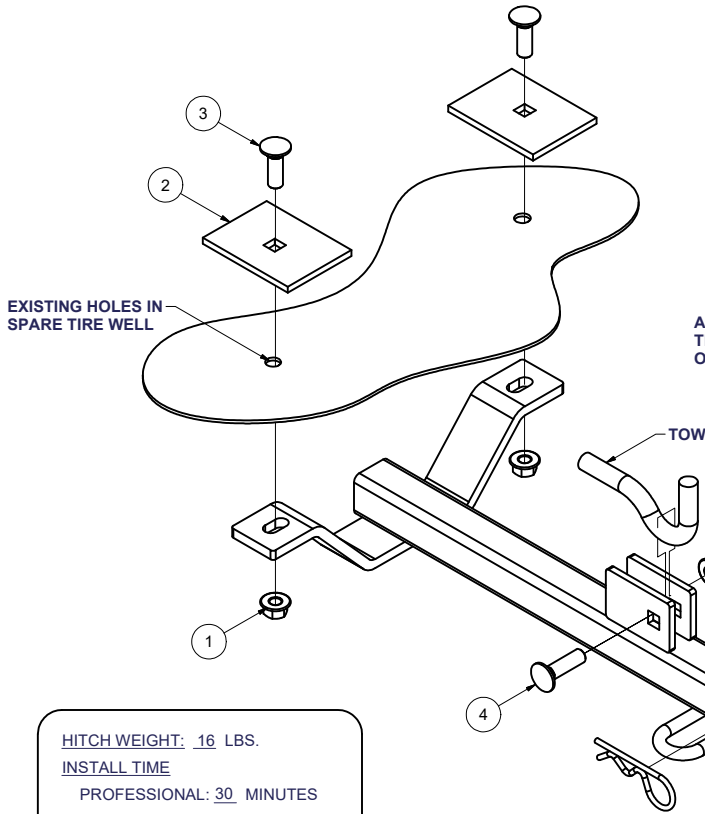
\*\*\*DO NOT EXCEED VEHICLE MANUFACTURER'S RECOMMENDED TOWING CAPACITY.\*\*\*

WARNING: ALL NON-TRAILER LOADS APPLIED TO THIS PRODUCT MUST BE SUPPORTED BY AUXILIARY STABILIZING STRAPS.

\*\* FAILURE TO PROPERLY SUPPORT NON-TRAILER LOADS WILL VOID PRODUCT WARRANTY\*\*

HAVING INSTALLATION QUESTIONS? CALL TECHNICAL SUPPORT AT 1-877-287-8634

Parts List			
ITEM	QTY	PART NUMBER	DESCRIPTION
1	3	20-00062	NUT, SER-FLANGE, 1/2-13 UNC, GRD8, YZ
2	2	CM-SP28	.250 x 3.00 x 4.00" SQUARE HOLE SPACER
3	2	10-10287	BOLT, CAR, 1/2-13 UNC, 1-1/2, GRD8, YZ
4	1	10-10272	BOLT, CAR, 1/2-13 UNC, 1-3/4, GRD8, YZ



HITCH WEIGHT: 16 LBS.  
 INSTALL TIME  
 PROFESSIONAL: 30 MINUTES  
 NOVICE (DIY): 60 MINUTES  
 INSTALL NOTES:  
 - NO DRILLING REQUIRED  
 - REMOVE/INSTALL SPARE TIRE  
 - REMOVE PLASTIC TRUNK SHIELD

**INSTALLATION STEPS**

1. Remove spare tire, plastic shield from trunk, bumper fascia tabs, and rubber trunk plugs.
2. Using silicone caulk, place a bead around interior holes in trunk to prevent intrusion of exhaust fumes and water.
3. Place 1 1/2" carriage bolts and large spacers into existing trunk holes.
4. Raise hitch into position, sandwiching the tow loop between both mounting tabs on hitch. Install all hex nuts as shown.
5. Torque all 1/2" fasteners to 110 lb-ft.

**PERIODICALLY CHECK THIS RECEIVER HITCH TO ENSURE THAT ALL FASTENERS ARE TIGHT AND THAT ALL STRUCTURAL COMPONENTS ARE SOUND.**

Curt Manufacturing Inc., warrants this product to be free of defects in material and/or workmanship at the time of retail purchase by the original purchaser. If the product is found to be defective, Curt Manufacturing Inc., may repair or replace the product, at their option, when the product is returned, prepaid, with proof of purchase. Alteration to, misuse of, or improper installation of this product voids the warranty. Curt Manufacturing Inc.'s liability is limited to repair or replacement of products found to be defective, and specifically excludes liability for incidental or consequential loss or damage.