

11287

91-99 TOYOTA TERCEL 2 DR & 4 DR

11/12/2012

GROSS LOAD CAPACITY WHEN USED AS A WEIGHT CARRYING HITCH: 2,000 LBS. TRAILER WEIGHT & 200 LBS. TONGUE WEIGHT.

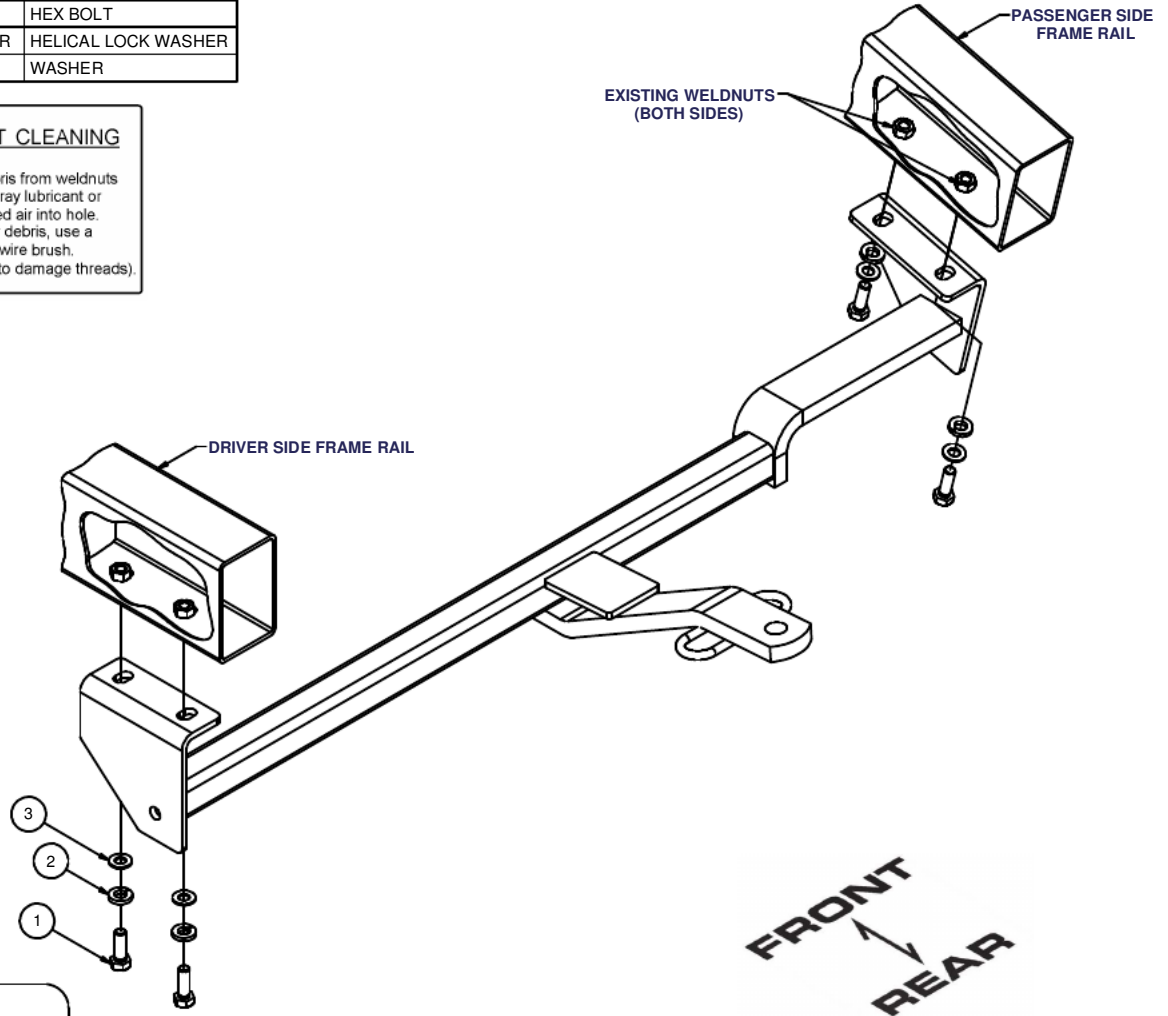
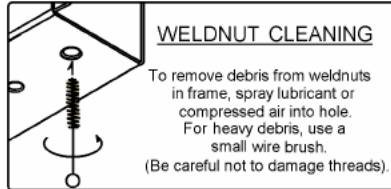
DO NOT EXCEED VEHICLE MANUFACTURER'S RECOMMENDED TOWING CAPACITY.

WARNING: ALL NON-TRAILER LOADS APPLIED TO THIS PRODUCT MUST BE SUPPORTED BY 18050 STABILIZING STRAPS.

** FAILURE TO PROPERLY SUPPORT NON-TRAILER LOADS WILL VOID PRODUCT WARRANTY**

HAVING INSTALLATION QUESTIONS? CALL TECHNICAL SUPPORT AT 1-877-287-8634

Parts List			
ITEM	QTY	PART NUMBER	DESCRIPTION
1	4	M10 - 1.25 x 30	HEX BOLT
2	4	7/16 LOCK WASHER	HELICAL LOCK WASHER
3	4	3/8"	WASHER



HITCH WEIGHT: 21 LBS.
 INSTALL TIME
 PROFESSIONAL: 25 MINUTES
 NOVICE (DIY): 50 MINUTES
 INSTALL NOTES:
 - NO DRILLING REQUIRED
 - REMOVE TIE DOWN BRACKETS

INSTALLATION STEPS

1. Under the rear of the car, locate the driver and passenger side frame rails and tie down brackets bolted to these frame rails. Remove both tie down brackets by removing two 10mm bolts from each one. Return the parts to the vehicle's owner for reinstallation should the hitch ever be removed.
2. This hitch will mount to the frame rails at these same threaded holes. The hitch will pass over the car's tailpipe. Fasten the hitch to car using fasteners provided as shown.
3. Torque all 10mm fasteners to 48 lb-ft.

PERIODICALLY CHECK THIS RECEIVER HITCH TO ENSURE THAT ALL FASTENERS ARE TIGHT AND THAT ALL STRUCTURAL COMPONENTS ARE SOUND.

Curt Manufacturing Inc., warrants this product to be free of defects in material and/or workmanship at the time of retail purchase by the original purchaser. If the product is found to be defective, Curt Manufacturing Inc., may repair or replace the product, at their option, when the product is returned, prepaid, with proof of purchase. Alteration to, misuse of, or improper installation of this product voids the warranty. Curt Manufacturing Inc.'s liability is limited to repair or replacement of products found to be defective, and specifically excludes liability for incidental or consequential loss or damage.