

11248**99-03 MITSUBISHI GALANT SEDAN**

10/15/2012

GROSS LOAD CAPACITY WHEN USED AS A WEIGHT CARRYING HITCH: 2,000 LBS. TRAILER WEIGHT & 200 LBS. TONGUE WEIGHT.

*****DO NOT EXCEED VEHICLE MANUFACTURER'S RECOMMENDED TOWING CAPACITY.*******WARNING: ALL NON-TRAILER LOADS APPLIED TO THIS PRODUCT MUST BE SUPPORTED BY AUXILIARY STABILIZING STRAPS.****** FAILURE TO PROPERLY SUPPORT NON-TRAILER LOADS WILL VOID PRODUCT WARRANTY****

HAVING INSTALLATION QUESTIONS? CALL TECHNICAL SUPPORT AT 1-800-798-0813

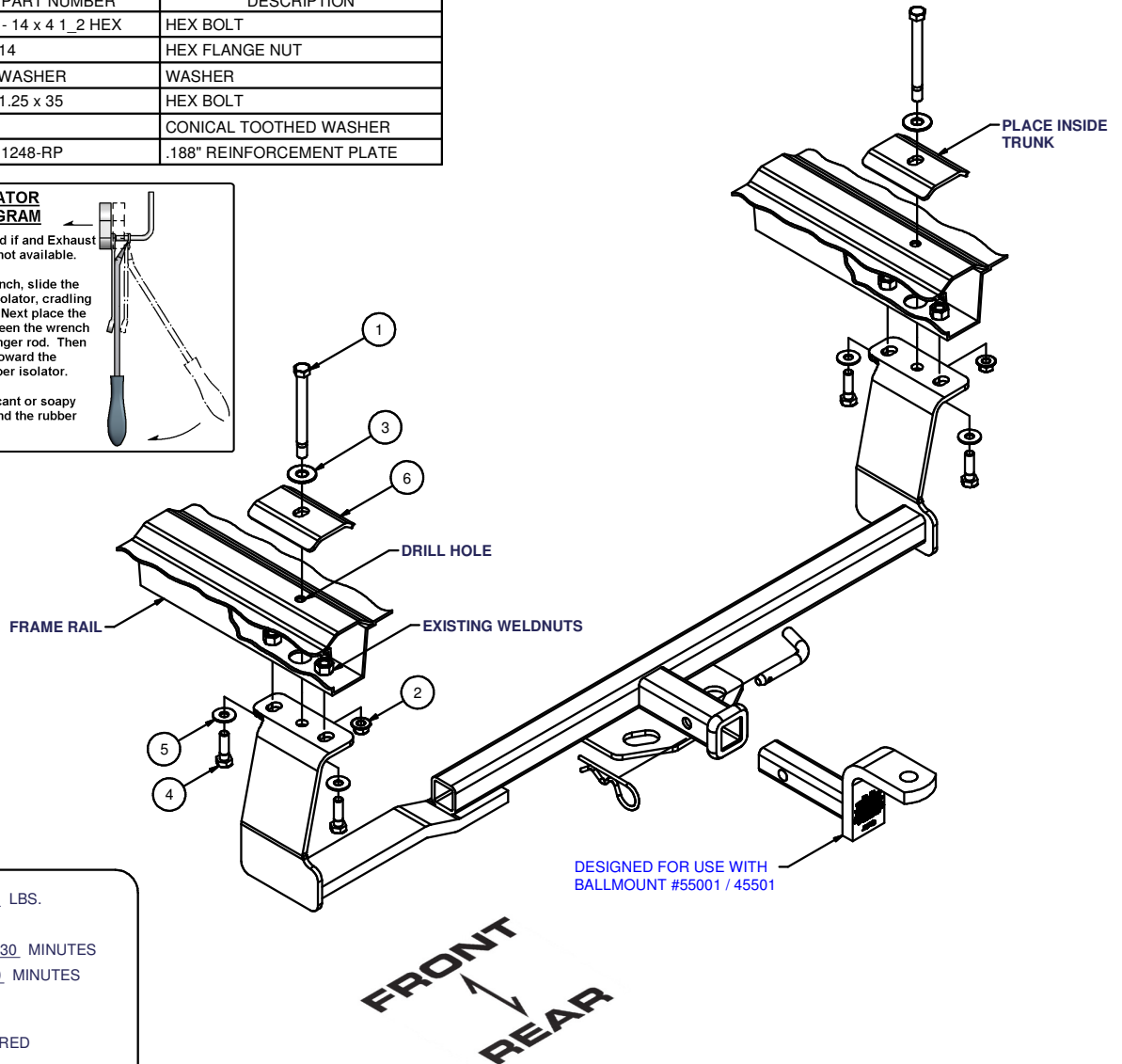
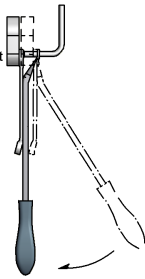
Parts List			
ITEM	QTY	PART NUMBER	DESCRIPTION
1	2	7_16 - 14 x 4 1_2 HEX	HEX BOLT
2	2	7/16-14	HEX FLANGE NUT
3	2	7/16 WASHER	WASHER
4	4	M10-1.25 x 35	HEX BOLT
5	4	3/8"	CONICAL TOOTHED WASHER
6	2	CM-11248-RP	.188" REINFORCEMENT PLATE

**RUBBER ISOLATOR
REMOVAL DIAGRAM**

This technique can be used if and Exhaust Hanger Removal Pliers is not available.

Using a 5/8" open end wrench, slide the wrench up to the rubber isolator, cradling the hanger rod as shown. Next place the flat edge of a pry bar between the wrench and the hanger stop or hanger rod. Then simply rotate the pry bar toward the wrench to remove the rubber isolator.

Note: Using a spray lubricant or soapy water on the hanger rod and the rubber isolator helps removal.



HITCH WEIGHT: 28 LBS.

INSTALL TIME

PROFESSIONAL: 30 MINUTES

NOVICE (DIY): 60 MINUTES

INSTALL NOTES:

DRILLING REQUIRED

INSTALLATION STEPS

- 1) Remove two 10mm bolts per side which mount the bumper brackets to the frame rails. Discard these bolts and attach hitch to bottom of frame rails using fasteners supplied.
- 2) Fold back the trunk carpet for drilling. Use the center hole in each hitch side plate as a template to drill through into the trunk. It may be necessary to lower exhaust system for drilling.
- 3) Install fasteners through frame rail with one formed reinforcement plate and flat washer under each bolt head as shown. Replace exhaust hangers and carpet.
- 4) Torque all M10 hardware to 48 lb.-ft. and all 7/16" hardware to 70 lb.-ft.

PERIODICALLY CHECK THIS RECEIVER HITCH TO ENSURE THAT ALL FASTENERS ARE TIGHT AND THAT ALL STRUCTURAL COMPONENTS ARE SOUND.

Curt Manufacturing Inc., warrants this product to be free of defects in material and/or workmanship at the time of retail purchase by the original purchaser. If the product is found to be defective, Curt Manufacturing Inc., may repair or replace the product, at their option, when the product is returned, prepaid, with proof of purchase. Alteration to, misuse of, or improper installation of this product voids the warranty. Curt Manufacturing Inc.'s liability is limited to repair or replacement of products found to be defective, and specifically excludes liability for incidental or consequential loss or damage.