

11245

92-96 JEEP EAGLE SUMMIT WAGON ALL
92-95 MITSUBISHI EXPO & EXPO LRV
92-94 PLYMOUTH VISTA

8/28/2009

GROSS LOAD CAPACITY WHEN USED AS A WEIGHT CARRYING HITCH: 2,000 LBS. TRAILER WEIGHT & 200 LBS. TONGUE WEIGHT.

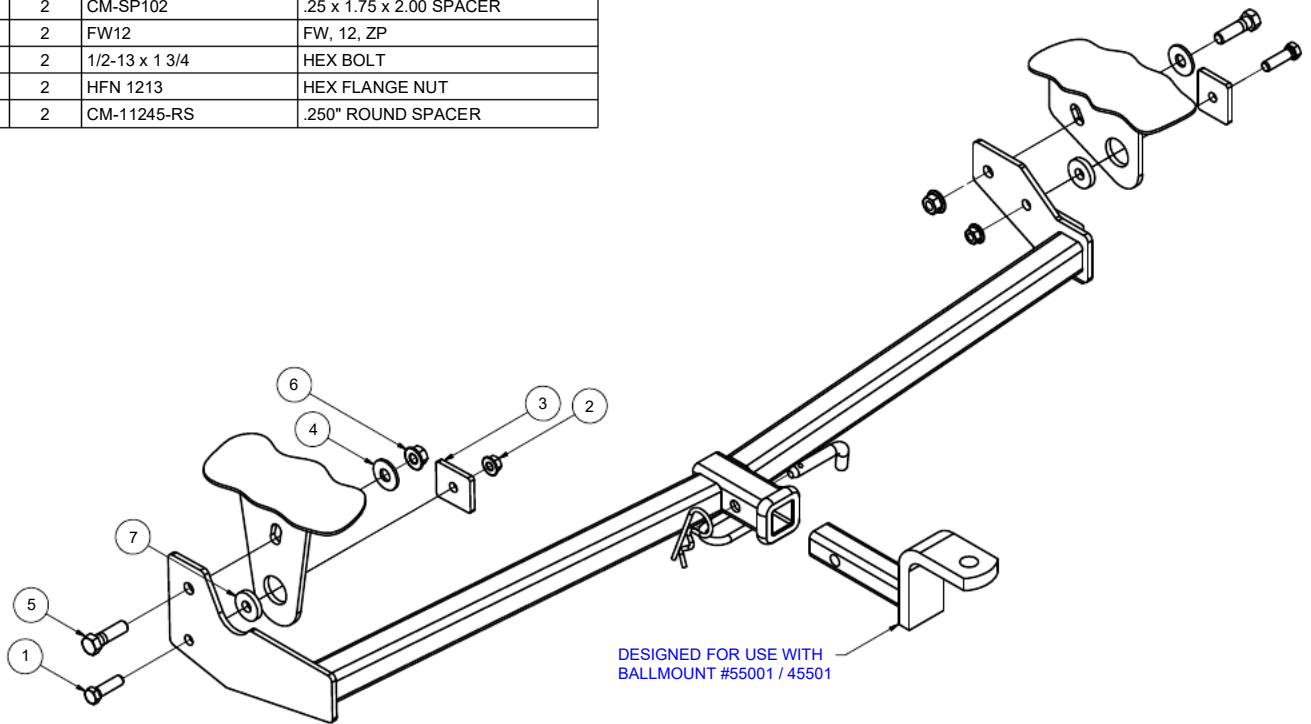
*****DO NOT EXCEED VEHICLE MANUFACTURER'S RECOMMENDED TOWING CAPACITY.*****

WARNING: ALL NON-TRAILER LOADS APPLIED TO THIS PRODUCT MUST BE SUPPORTED BY AUXILIARY STABILIZING STRAPS.

**** FAILURE TO PROPERLY SUPPORT NON-TRAILER LOADS WILL VOID PRODUCT WARRANTY****

HAVING INSTALLATION QUESTIONS? CALL TECHNICAL SUPPORT AT 1-877-287-8634

| Parts List | | | |
|------------|-----|-----------------|--------------------------|
| ITEM | QTY | PART NUMBER | DESCRIPTION |
| 1 | 2 | 7/16-14 x 1 1/2 | HEX BOLT |
| 2 | 2 | 7/16-14 | HEX FLANGE NUT |
| 3 | 2 | CM-SP102 | .25 x 1.75 x 2.00 SPACER |
| 4 | 2 | FW12 | FW, 12, ZP |
| 5 | 2 | 1/2-13 x 1 3/4 | HEX BOLT |
| 6 | 2 | HFN 1213 | HEX FLANGE NUT |
| 7 | 2 | CM-11245-RS | .250" ROUND SPACER |



HITCH WEIGHT: 20 LBS.

INSTALL TIME

PROFESSIONAL: 45 MINUTES

NOVICE (DIY): 90 MINUTES

INSTALL NOTES:

-NO DRILLING REQUIRED

INSTALLATION STEPS

1. Under the rear of the car, locate the car's tie down brackets on the left and right frame rails.
2. Brackets on the hitch will mount to the inside of the passenger side tie down bracket and outside the driver's side tie down bracket, as shown.
3. Attach the hitch to the vehicle at the tie down brackets using fasteners as shown. NOTE: Round spacer must be placed in the large round holes in the tie down brackets; and the flat washers must be installed over the slots.
4. Attach the hitch for best fit. Torque all 7/16" fasteners to 50 lb-ft, and all 1/2" fasteners to 75 lb-ft.

PERIODICALLY CHECK THIS RECEIVER HITCH TO ENSURE THAT ALL FASTENERS ARE TIGHT AND THAT ALL STRUCTURAL COMPONENTS ARE SOUND.

Curt Manufacturing Inc., warrants this product to be free of defects in material and/or workmanship at the time of retail purchase by the original purchaser. If the product is found to be defective, Curt Manufacturing Inc., may repair or replace the product, at their option, when the product is returned, prepaid, with proof of purchase. Alteration to, misuse of, or improper installation of this product voids the warranty. Curt Manufacturing Inc.'s liability is limited to repair or replacement of products found to be defective, and specifically excludes liability for incidental or consequential loss or damage.