

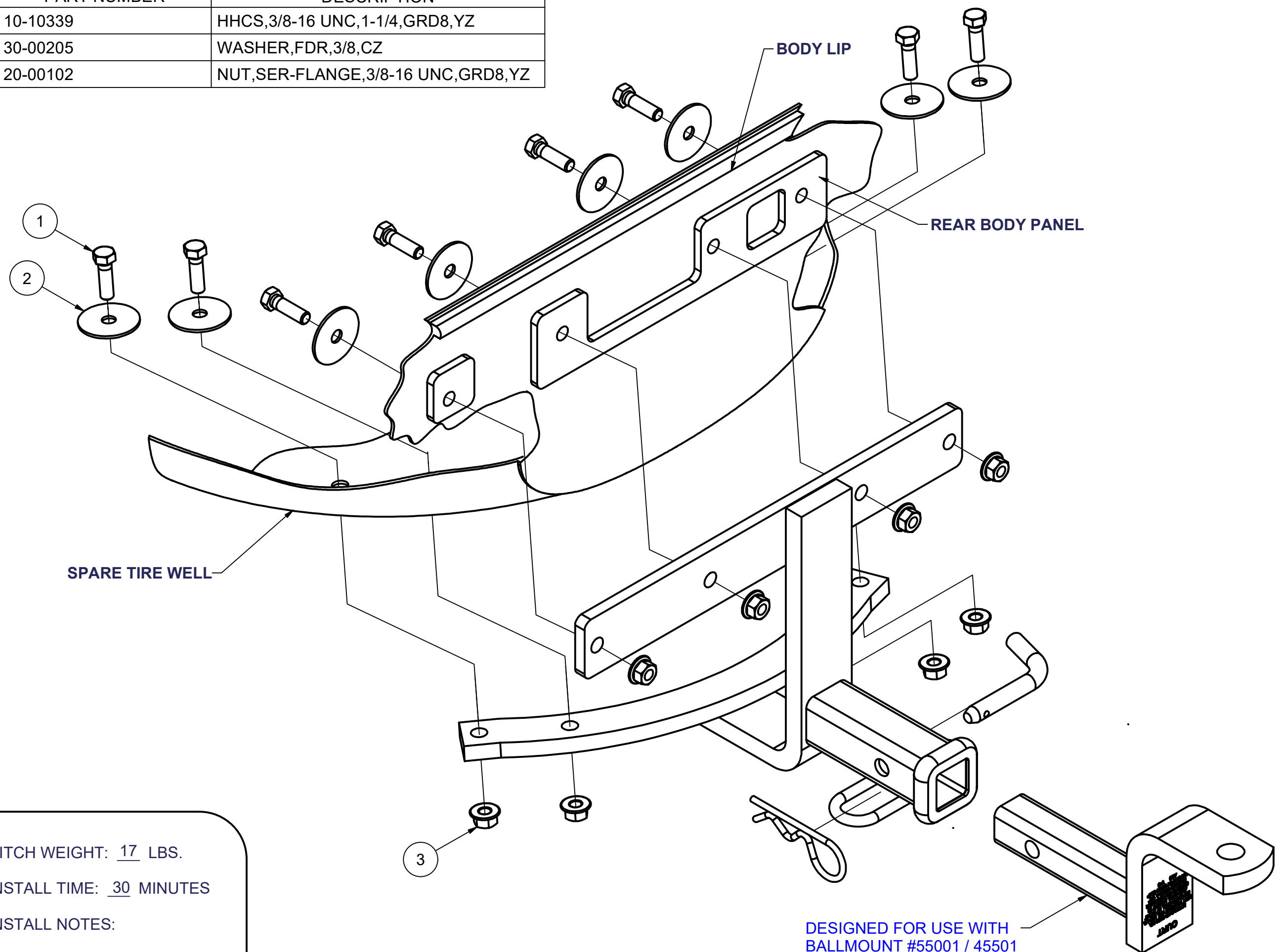
**11169 / 247303****1996-01 AUDI A4 SEDAN  
1998-02 AUDI A4 & S4 AVANT WAGON & 00-02 S4 SEDAN & QUATTRO**

11/10/2020

**GROSS LOAD CAPACITY WHEN USED AS A WEIGHT CARRYING HITCH: 2000 LBS. TRAILER WEIGHT & 200 LBS. TONGUE WEIGHT.  
\*\*\*DO NOT EXCEED VEHICLE MANUFACTURER'S RECOMMENDED TOWING CAPACITY.\*\*\***

## Parts List

ITEM	QTY	PART NUMBER	DESCRIPTION
1	8	10-10339	HHCS,3/8-16 UNC,1-1/4,GRD8,YZ
2	8	30-00205	WASHER,FDR,3/8,CZ
3	8	20-00102	NUT,SER-FLANGE,3/8-16 UNC,GRD8,YZ

HITCH WEIGHT: 17 LBS.INSTALL TIME: 30 MINUTES

INSTALL NOTES:

**DRILLING REQUIRED****INSTALLATION STEPS**

- 1) Apply a strip of tape to the surface of rear body panel to represent the bottom edge of bumper fascia. This is used to assure receiver clears the bottom of bumper fascia when installed.
- 2) Temporarily remove complete rear bumper assembly. From inside trunk, remove two bolts per side securing bumper to body. Remove screws retaining fascia at rear of wheel opening. Release fascia from clips at side of car by pulling up and out. Some models require the bumper assembly to be pushed forward on car 2-3" and pulling fascia outward. Bumper assembly will slide to rear.
- 3) Position hitch on center of vehicle and level the assembly. Based on application this hitch will mount 6 1/2" to 7 1/2" down from body lip. (Note: Check receiver height at tape mark for fascia clearance. Adjust hitch position if necessary. Using hitch as a template, mark and drill holes for fasteners. Four in rear body panel and four in tire well.
- 4) Install fasteners as shown then torque all 3/8" fasteners to 45 lb-ft .  
(Note: Large fender washers go inside tire well.)

**PERIODICALLY CHECK THIS RECEIVER HITCH TO ENSURE THAT ALL FASTENERS  
ARE TIGHT AND THAT ALL STRUCTURAL COMPONENTS ARE SOUND.**

Curt Manufacturing Inc., warrants this product to be free of defects in material and/or workmanship at the time of retail purchase by the original purchaser. If the product is found to be defective, Curt Manufacturing Inc., may repair or replace the product, at their option, when the product is returned, prepaid, with proof of purchase. Alteration to, misuse of, or improper installation of this product voids the warranty. Curt Manufacturing Inc.'s liability is limited to repair or replacement of products found to be defective, and specifically excludes liability for incidental or consequential loss or damage.