

11129**89-96 BUICK CENTURY**

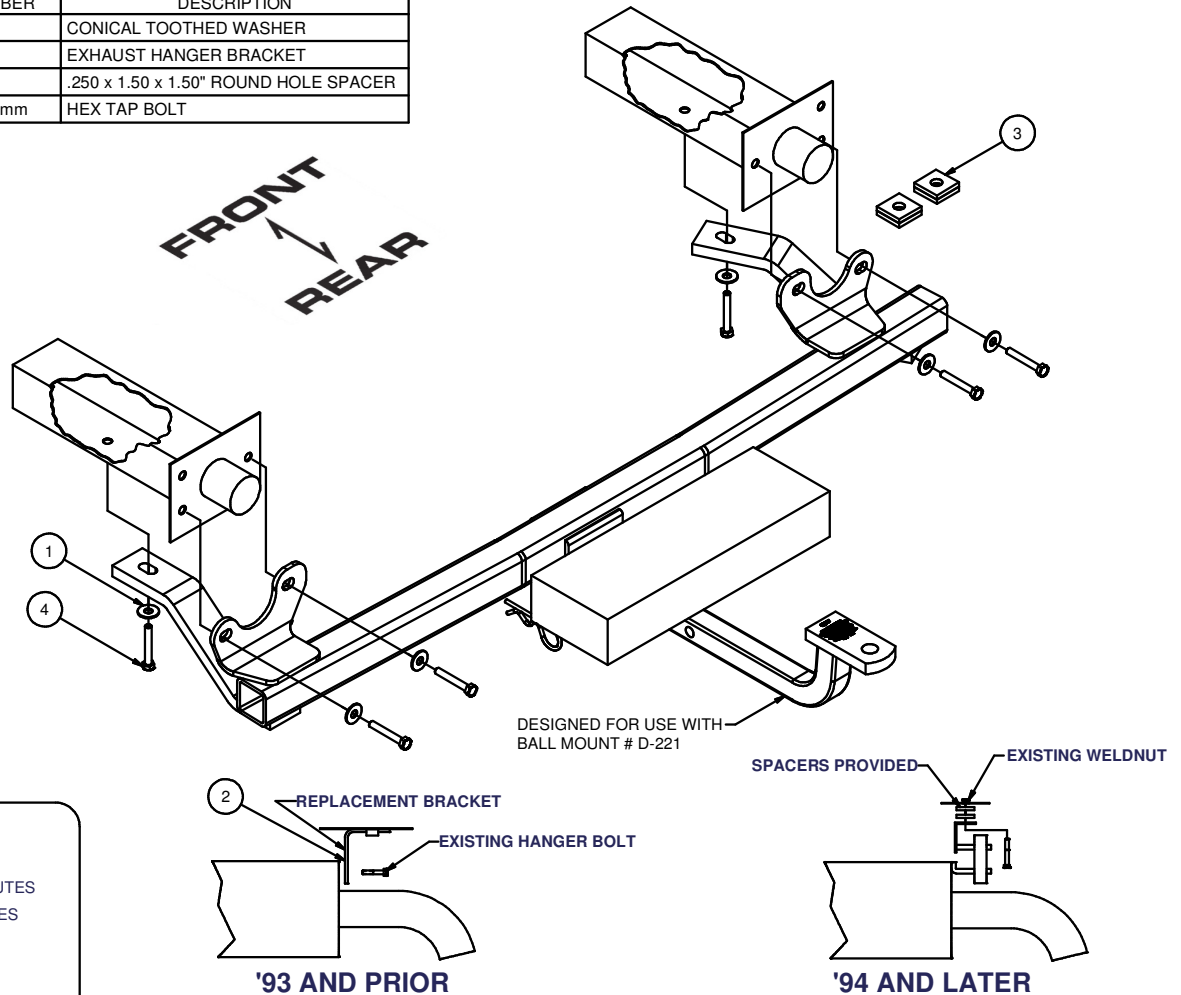
11/19/2012

GROSS LOAD CAPACITY WHEN USED AS A WEIGHT CARRYING HITCH: 2,000 LBS. TRAILER WEIGHT & 200 LBS. TONGUE WEIGHT.

*****DO NOT EXCEED VEHICLE MANUFACTURER'S RECOMMENDED TOWING CAPACITY.*******WARNING: ALL NON-TRAILER LOADS APPLIED TO THIS PRODUCT MUST BE SUPPORTED BY AUXILIARY STABILIZING STRAPS.****** FAILURE TO PROPERLY SUPPORT NON-TRAILER LOADS WILL VOID PRODUCT WARRANTY****

HAVING INSTALLATION QUESTIONS? CALL TECHNICAL SUPPORT AT 1-800-798-0813

Parts List			
ITEM	QTY	PART NUMBER	DESCRIPTION
1	6	3/8"	CONICAL TOOTHED WASHER
2	1	CM-EHB1	EXHAUST HANGER BRACKET
3	4	CM-SP22	.250 x 1.50 x 1.50" ROUND HOLE SPACER
4	6	M8 - 1.25 x 55mm	HEX TAP BOLT

HITCH WEIGHT: 40 LBS.INSTALL TIMEPROFESSIONAL: 35 MINUTESNOVICE (DIY): 70 MINUTESINSTALL NOTES:

NO DRILLING REQUIRED

INSTALLATION STEPS

- 1) Remove lower outboard and inboard energy absorber (E/A) bolts from both sides of vehicle frame and discard. Disconnect tailpipe mounting brackets to lower muffler.
- 2) Remove two (2) M8 bolts that hold the E/A units to the bottom of the frame and discard.
- 3) Position hitch on vehicle and install M8 x 1.25 X 55mm bolts through E/A units as shown.
- 4) On '93 and prior models, reinstall muffler using replacement bracket provided. Return original bracket to vehicle owner.
- 5) On '94 and later models, insert 1/4" spacers as needed between muffler hanger and frame as shown. Install M8 bolts supplied with hitch.
- 6) Torque M8 fasteners to 23 lb.-ft..

PERIODICALLY CHECK THIS RECEIVER HITCH TO ENSURE THAT ALL FASTENERS ARE TIGHT AND THAT ALL STRUCTURAL COMPONENTS ARE SOUND.

Curt Manufacturing Inc., warrants this product to be free of defects in material and/or workmanship at the time of retail purchase by the original purchaser. If the product is found to be defective, Curt Manufacturing Inc., may repair or replace the product, at their option, when the product is returned, prepaid, with proof of purchase. Alteration to, misuse of, or improper installation of this product voids the warranty. Curt Manufacturing Inc.'s liability is limited to repair or replacement of products found to be defective, and specifically excludes liability for incidental or consequential loss or damage.