

11070**99.5-05 VOLKSWAGEN JETTA SEDAN**

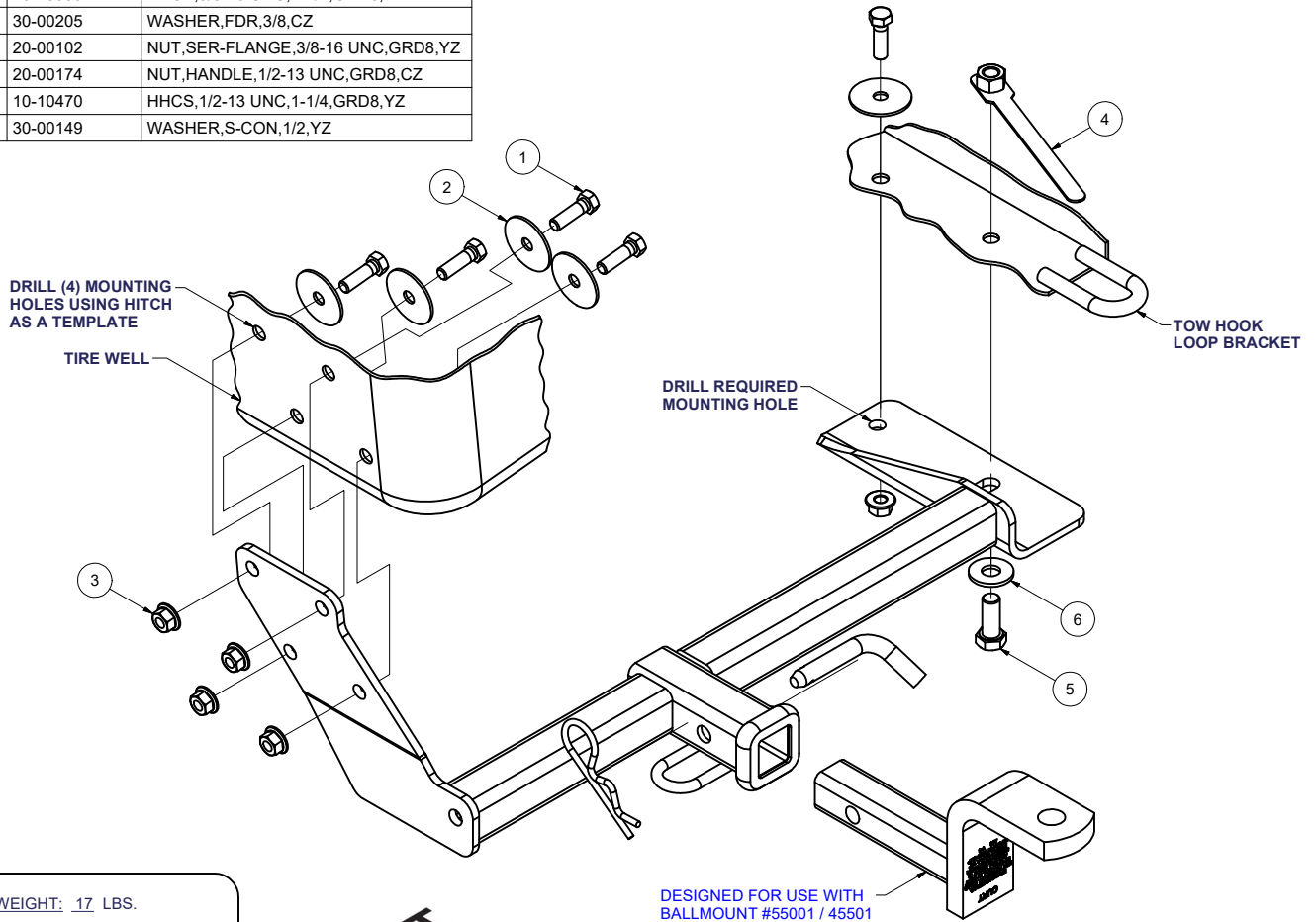
6/18/2020

GROSS LOAD CAPACITY WHEN USED AS A WEIGHT CARRYING HITCH: 2,000 LBS. TRAILER WEIGHT & 200 LBS. TONGUE WEIGHT.

*****DO NOT EXCEED VEHICLE MANUFACTURER'S RECOMMENDED TOWING CAPACITY.*******WARNING: ALL NON-TRAILER LOADS APPLIED TO THIS PRODUCT MUST BE SUPPORTED BY AUXILIARY STABILIZING STRAPS.****** FAILURE TO PROPERLY SUPPORT NON-TRAILER LOADS WILL VOID PRODUCT WARRANTY****

HAVING INSTALLATION QUESTIONS? CALL TECHNICAL SUPPORT AT 1-877-287-8634

Parts List			
ITEM	QTY	PART NUMBER	DESCRIPTION
1	5	10-10339	HHCS,3/8-16 UNC,1-1/4,GRD8,YZ
2	5	30-00205	WASHER,FDR,3/8,CZ
3	5	20-00102	NUT,SER-FLANGE,3/8-16 UNC,GRD8,YZ
4	1	20-00174	NUT,HANDLE,1/2-13 UNC,GRD8,CZ
5	1	10-10470	HHCS,1/2-13 UNC,1-1/4,GRD8,YZ
6	1	30-00149	WASHER,S-CON,1/2,YZ



HITCH WEIGHT: 17 LBS.

INSTALL TIME

PROFESSIONAL: 20 MINUTES

NOVICE (DIY): 40 MINUTES

INSTALL NOTES:

DRILLING REQUIRED

INSTALLATION STEPS

- 1) Lift hitch into position aligning the slot in passenger side mounting plate with the existing hole in tow hook loop bracket. Loosely install fasteners as shown.
- 2) Position hitch level and square to vehicle. Use hitch as a template to drill holes for mounting driver side plate. Install fasteners as shown.
- 3) Use hitch as a template and drill hole for passenger side mounting plate. Install fasteners as shown.
- 4) Torque all 1/2" fasteners to 110 lb.-ft. and all 3/8" fasteners to 45 lb.-ft.

PERIODICALLY CHECK THIS RECEIVER HITCH TO ENSURE THAT ALL FASTENERS ARE TIGHT AND THAT ALL STRUCTURAL COMPONENTS ARE SOUND.

Curt Manufacturing Inc., warrants this product to be free of defects in material and/or workmanship at the time of retail purchase by the original purchaser. If the product is found to be defective, Curt Manufacturing Inc., may repair or replace the product, at their option, when the product is returned, prepaid, with proof of purchase. Alteration to, misuse of, or improper installation of this product voids the warranty. Curt Manufacturing Inc.'s liability is limited to repair or replacement of products found to be defective, and specifically excludes liability for incidental or consequential loss or damage.

248366/ 247366