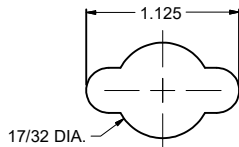
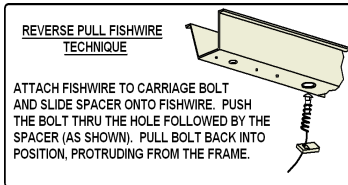
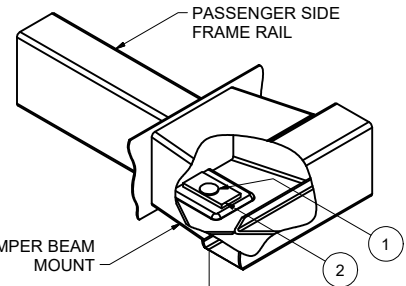


11064**HONDA FIT****6/18/2020****GROSS LOAD CAPACITY WHEN USED AS A WEIGHT CARRYING HITCH: 2,000 LBS. TRAILER WEIGHT & 200 LBS. TONGUE WEIGHT.******* DO NOT EXCEED VEHICLE MANUFACTURER'S RECOMMENDED TOWING CAPACITY. *******WARNING: ALL NON-TRAILER LOADS APPLIED TO THIS PRODUCT MUST BE SUPPORTED BY AUXILIARY STABILIZING STRAPS.******* FAILURE TO PROPERLY SUPPORT NON-TRAILER LOADS WILL VOID PRODUCT WARRANTY. *****

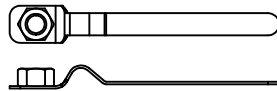
ITEM	QTY	PART NUMBER	DESCRIPTION
1	2	10-10272	BOLT,CAR,1/2-13 UNC,1-3/4,GRD8,YZ
2	1	CM-SP53	.250 x 1.50 x 3.00" SQUARE HOLE SPACER
3	1	CM-SP6	.250 x 1.00 x 3.00" SQUARE HOLE SPACER
4	2	20-00174	NUT,HANDLE,1/2-13 UNC,GRD8,CZ
5	2	30-00149	WASHER,S-CON,1/2,YZ
6	2	10-10470	HHCS,1/2-13 UNC,1-1/4,GRD8,YZ
7	2	CM-SP19	.250 x 1.25 x 3.00" SQUARE HOLE SPACER
8	2	20-00062	NUT, SER-FLANGE,1/2-13 UNC,GRD8,YZ
9	2	1_2 FISHWIRE	1/2" FISHWIRE

TOOLS REQUIRED

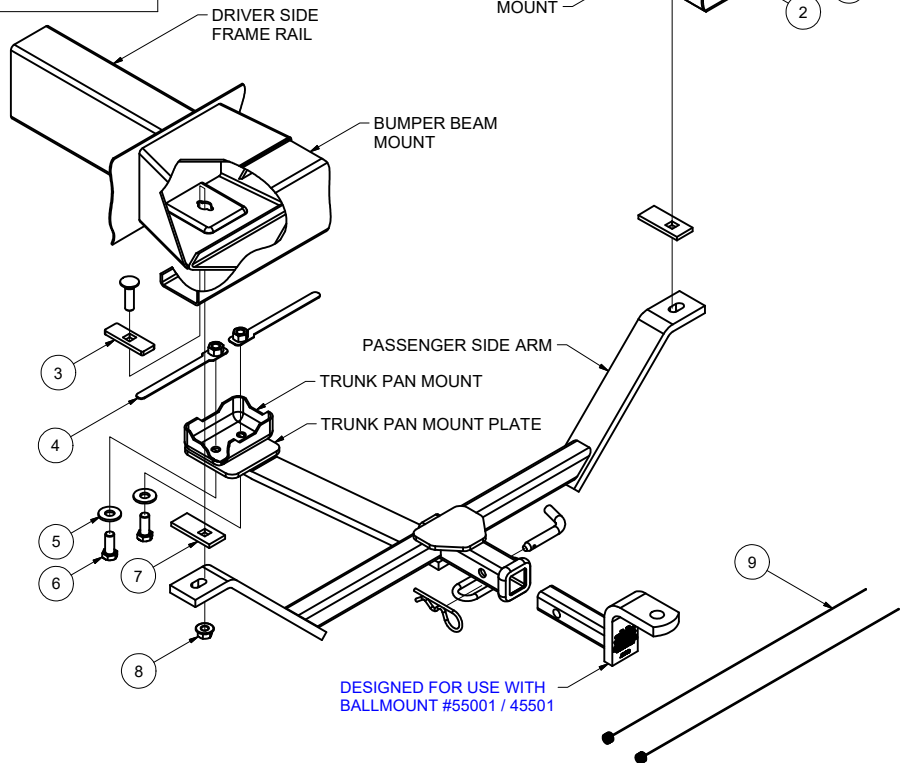
3/4" SOCKET
12" EXTENSION
RATCHET
TORQUE WRENCH
CARBIDE BIT
ROTARY TOOL
17/32" DRILL BIT
DRILL



DRILL HOLE MODIFICATION DIAGRAM



HANDLE NUT MODIFICATION



HITCH WEIGHT: 27 LBS.
 INSTALL TIME: 45 MINUTES
 INSTALL NOTES:
 - DRILLING REQUIRED
 - FISHWIRE HARDWARE

INSTALLATION STEPS

- 1) Reverse fishwire a 1/2-13 carriage bolt and CM-SP53 spacer into the access hole in the bumper beam mount on the passenger side as shown. (See Reverse Pull Fishwire Technique.)
- 2) Bend the 1/2" handle nuts and insert them into the trunk pan mount on the bottom of spare tire well as shown.
- 3) Raise the hitch into place and secure it using a 1/2" flange nut and the carriage bolt in the access hole. Install a 1/2-13 hex head bolt and conical toothed washer into each of the handle nuts. (Finger tighten only.)
- 4) Using the hitch as your template, mark the center of the hole in the driver side arm. Lower the hitch.
- 5) Drill the hole marked in Step 4 using a 17/32" drill bit and drill. Using a carbide bit and rotary tool, modify the hole as shown in the Drill Hole Modification Diagram above so a 1/2-13 carriage bolt and CM-SP6 spacer will fit into the frame rail.
- 6) Reverse pull fishwire a 1/2-13 carriage bolt and CM-SP6 spacer into the drilled/modified hole.
- 7) Raise the hitch into place and secure it using the supplied hardware as shown. Trim handles off handle nuts.
- 8) Torque all hardware to 110 lb-ft.

PERIODICALLY CHECK THIS RECEIVER HITCH TO ENSURE THAT ALL FASTENERS ARE TIGHT AND THAT ALL STRUCTURAL COMPONENTS ARE SOUND.

Curt Manufacturing Inc., warrants this product to be free of defects in material and/or workmanship at the time of retail purchase by the original purchaser. If the product is found to be defective, Curt Manufacturing Inc., may repair or replace the product, at their option, when the product is returned, prepaid, with proof of purchase. Alteration to, misuse of, or improper installation of this product voids the warranty. Curt Manufacturing Inc.'s liability is limited to repair or replacement of products found to be defective, and specifically excludes liability for incidental or consequential loss or damage.