



11047 INSTALLATION INSTRUCTIONS



Safety glasses should be worn at all times while installing this product.

YEARS: 2010-PRESENT

MAKE: LEXUS

MODEL: IS250C

STYLE: CONVERTIBLE

WARNING: NEVER EXCEED YOUR VEHICLE MANUFACTURER'S RECOMMENDED TOWING CAPACITY

WEIGHT CARRYING:
TRAILER WEIGHT: 2,000 LBS.
TONGUE WEIGHT: 200 LBS.

WARNING:
WE RECOMMEND THE USE OF 18050 STABILIZING STRAPS FOR ALL NON-TRAILER (WHEEL-LESS) LOADS. PLEASE SEE THE CURT CATALOG OR VISIT US ONLINE AT WWW.CURTMFG.COM FOR FURTHER INFORMATION.

INSTALLATION TIME: 20 MIN.

THE INSTALL TIME LISTED IS FOR PROFESSIONAL INSTALLERS. IF YOU ARE HESITANT TO UNDERTAKE THIS TASK ON YOUR OWN, CONTACT AN AUTHORIZED CURT INSTALLER FOR ADDITIONAL ASSISTANCE.




INSTALLATION TIPS:

- BEFORE YOU BEGIN INSTALLATION, READ ALL INSTRUCTIONS THOROUGHLY.
- TO EASE INSTALLATION, 2 PEOPLE MAY BE REQUIRED.
- USING PROPER TOOLS WILL GREATLY IMPROVE THE QUALITY OF THE INSTALL AND REDUCE THE TIME REQUIRED.
- NEED HELP OR HAVE SOME QUESTIONS? CALL TECHNICAL SUPPORT AT 800.798.0813

INSTALLATION REQUIRES:

 RATCHET	 TORQUE WRENCH	 12" SOCKET EXTENSION
 8mm 17mm SOCKET	 MASKING TAPE	 AVIATION SHEARS

LEVEL OF DIFFICULTY: MODERATE

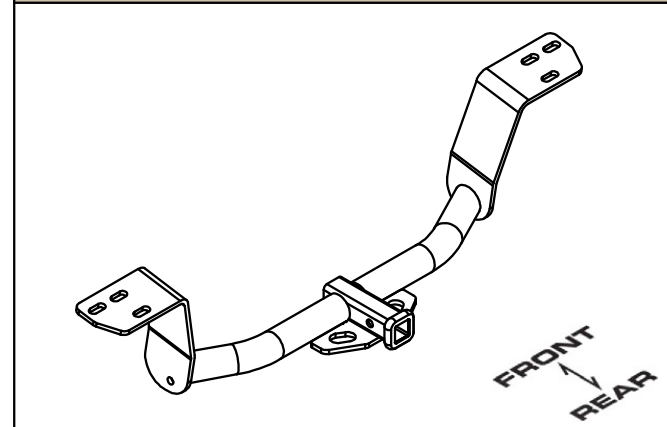
EASY	MODERATE	HARD
	- NO DRILLING REQUIRED	
	- LOWER EXHAUST	
	- TRIM HEAT SHIELDS	

VEHICLE PHOTO:



REPRESENTATIVE PHOTO

HITCH ILLUSTRATION:



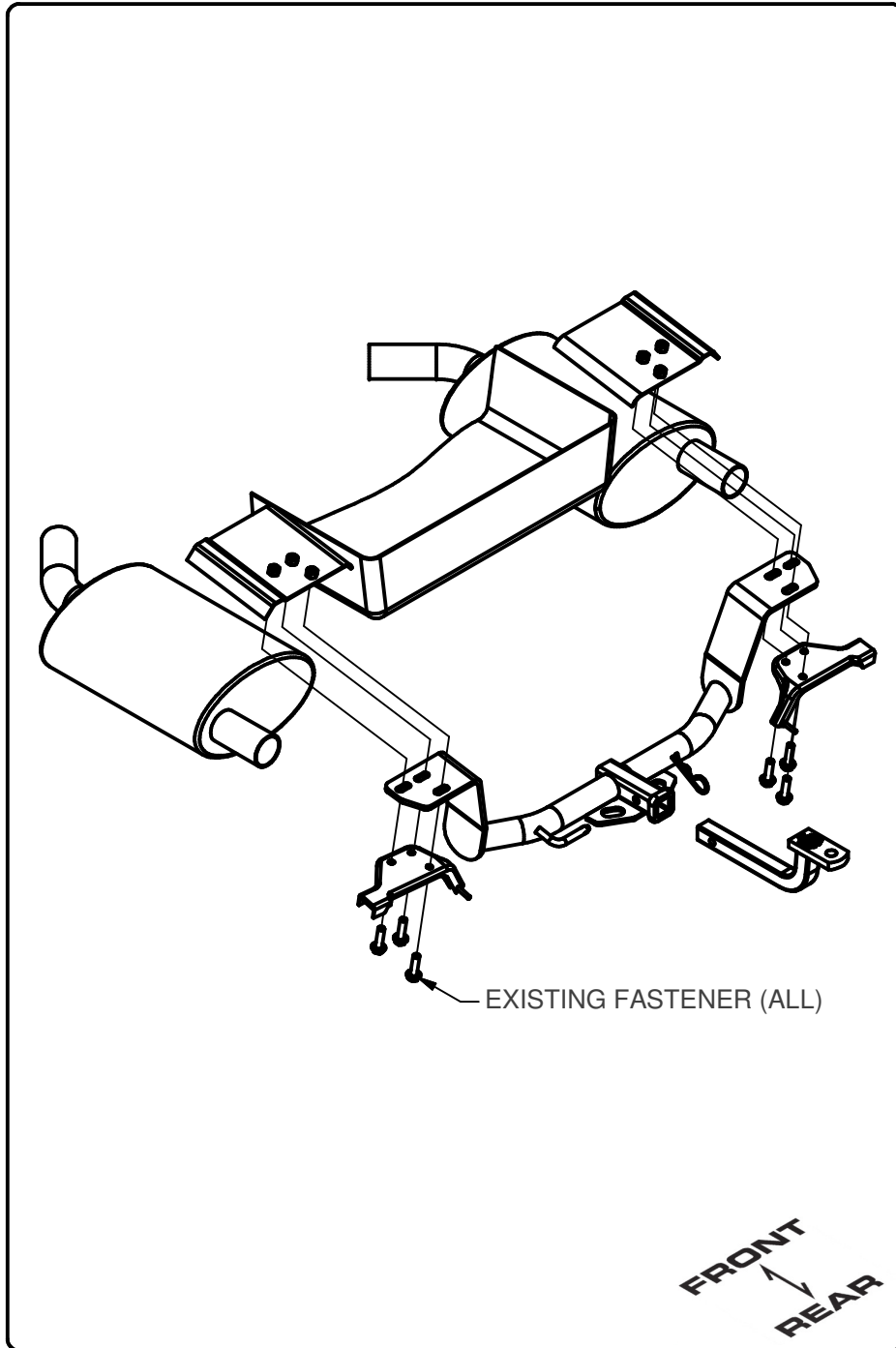
MAKE SURE YOUR HITCH MATCHES

PERIODICALLY CHECK THIS RECEIVER HITCH TO ENSURE ALL FASTENERS ARE TIGHT AND ALL STRUCTURAL COMPONENTS ARE SOUND

CURT Manufacturing Inc. warrants this product to be free of defects in material and/or workmanship at the time of retail purchase by the original purchaser. If the product is found to be defective, Curt Manufacturing Inc. may repair or replace the product at their option, when the product is returned, prepaid, with proof of purchase. Alteration to, misuse of, or improper installation of this product voids the warranty. Curt Manufacturing Inc.'s liability is limited to repair or replacement of products found to be defective, and specifically excludes liability for incidental or consequential loss or damage.

For more information log onto www.curtmfg.com, & for helpful towing tips log onto www.hitchinfo.com

INSTALLATION WALKTHROUGH:



1. Lower the exhaust by removing the (2) rearmost rubber isolators from the hanger bracket on each muffler, allowing the exhaust to hang.

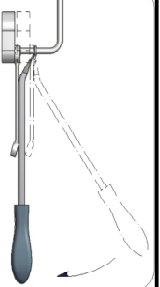


RUBBER ISOLATOR REMOVAL DIAGRAM

This technique can be used if an Exhaust Hanger Removal Pliers is not available.

Using a 5/8" open end wrench, slide the wrench up to the rubber isolator, cradling the hanger rod as shown. Next place the flat edge of a pry bar between the wrench and the hanger stop or hanger rod. Then simply rotate the pry bar toward the wrench to remove the rubber isolator.

Note: Using a spray lubricant or soapy water on the hanger rod and the rubber isolator helps removal.

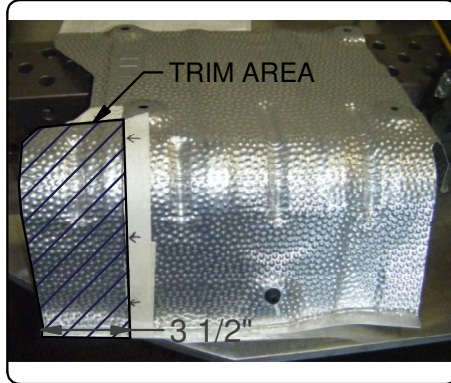


2. Remove the (6) hex flange bolts securing the exhaust hanger brackets and remove the brackets. Save the bolts and brackets for use in Step (5).



INSTALLATION WALKTHROUGH:

3. Remove the (4) nuts securing each heat shield and remove the heat shields from the vehicle. Trim the heat shields to clear the hitch side plates as shown.



4. Reinstall the heat shields with the nuts removed in Step (3). Raise the hitch into position against the frame rails and reinstall the exhaust hanger brackets using the (6) hex flange bolts removed in Step (2). **Note:** Hitch is sandwiched between the frame rails and exhaust hanger brackets.



5. Torque all M12 hardware to 86 ft-lbs. Raise the exhaust and reinstall the (4) rubber isolators.



6. Install is complete.



11047

LEXUS IS250C

12/5/2012

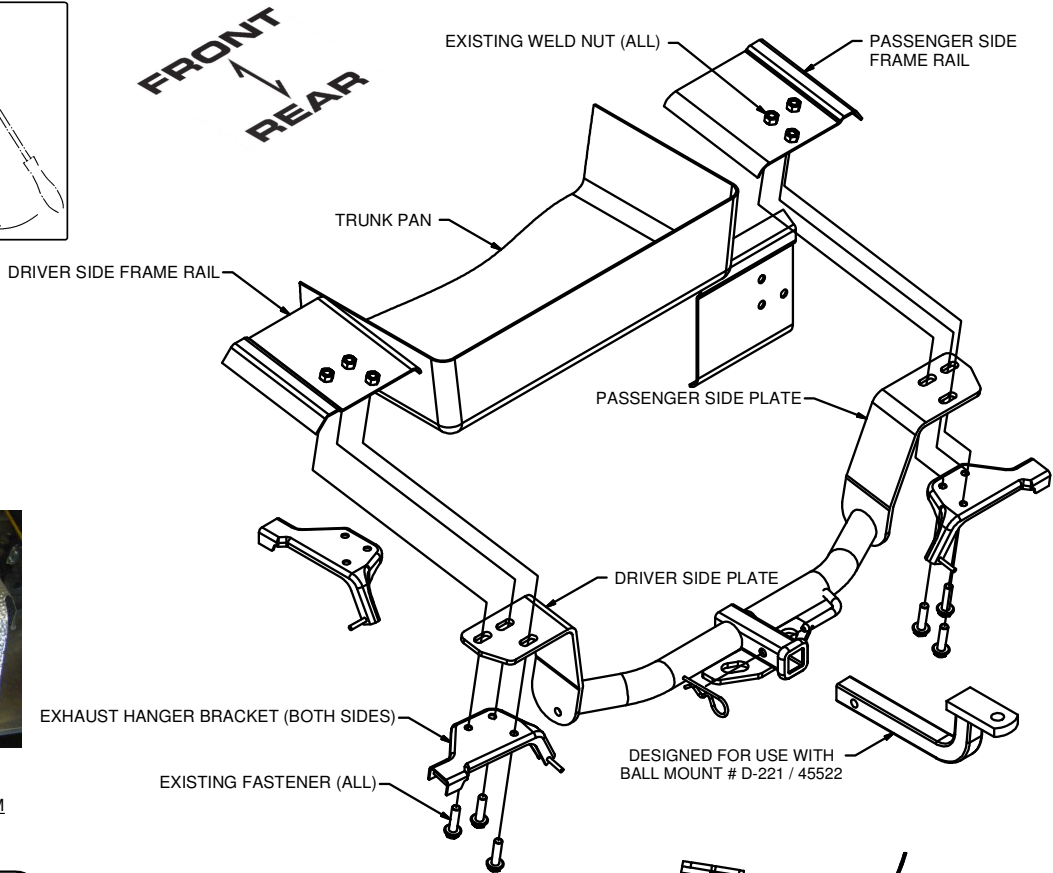
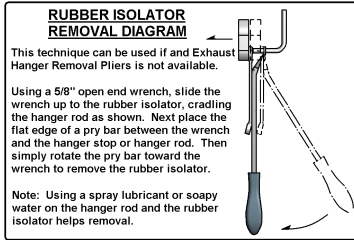
GROSS LOAD CAPACITY WHEN USED AS A WEIGHT CARRYING HITCH: 2,000 LBS. TRAILER WEIGHT & 200 LBS. TONGUE WEIGHT.

*****DO NOT EXCEED VEHICLE MANUFACTURER'S RECOMMENDED TOWING CAPACITY.*****

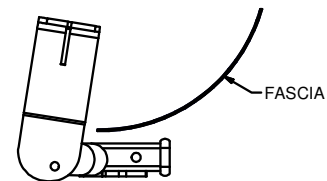
WARNING: ALL NON-TRAILER LOADS APPLIED TO THIS PRODUCT MUST BE SUPPORTED BY 18050 STABILIZING STRAPS.

**** FAILURE TO PROPERLY SUPPORT NON-TRAILER LOADS WILL VOID PRODUCT WARRANTY****

HAVING INSTALLATION QUESTIONS? CALL TECHNICAL SUPPORT AT 1-800-798-0813



HEAT SHIELD TRIMMING DIAGRAM



INSTALLED HITCH POSITION

HITCH WEIGHT: 28 LBS.

INSTALL TIME

PROFESSIONAL: 20 MINUTES

NOVICE (DIY): 40 MINUTES

INSTALL NOTES:

- NO DRILLING REQUIRED
- LOWER EXHAUST
- TRIM HEAT SHIELDS

TOOLS REQUIRED
8 & 17mm SOCKETS
12" EXTENSION
RATCHET
TORQUE WRENCH
TIN SNIPS

INSTALLATION STEPS

1. Lower the exhaust by removing the (2) rearmost rubber isolators from the hanger bracket on each muffler, allowing the exhaust to hang. (See Rubber Isolator Removal Diagram.)
2. Remove the (6) hex flange bolts securing the exhaust hanger brackets and remove the brackets. Save the bolts and brackets for use in Step 5.
3. Remove the (4) nuts securing each heat shield and remove the heat shields from the vehicle. Trim the heat shields to clear the hitch side plates as shown. (See Heat Shield Trimming Diagram.)
4. Reinstall the heat shields with the nuts removed in Step 3.
5. Raise the hitch into position against the frame rails and reinstall the exhaust hanger brackets using the (6) hex flange bolts removed in Step 2. (Note: Hitch is sandwiched between the frame rails and exhaust hanger brackets.)
6. Torque all M12 hardware to 86 ft-lbs.
7. Raise the exhaust and reinstall the (4) rubber isolators.

PERIODICALLY CHECK THIS RECEIVER HITCH TO ENSURE THAT ALL FASTENERS ARE TIGHT AND THAT ALL STRUCTURAL COMPONENTS ARE SOUND.

Curt Manufacturing Inc., warrants this product to be free of defects in material and/or workmanship at the time of retail purchase by the original purchaser. If the product is found to be defective, Curt Manufacturing Inc., may repair or replace the product, at their option, when the product is returned, prepaid, with proof of purchase. Alteration to, misuse of, or improper installation of this product voids the warranty. Curt Manufacturing Inc.'s liability is limited to repair or replacement of products found to be defective, and specifically excludes liability for incidental or consequential loss or damage.