

# 11014

# 97-01 HONDA CR-V

10/20/2020

GROSS LOAD CAPACITY WHEN USED AS A WEIGHT CARRYING HITCH: 2,000 LBS. TRAILER WEIGHT & 200 LBS. TONGUE WEIGHT.

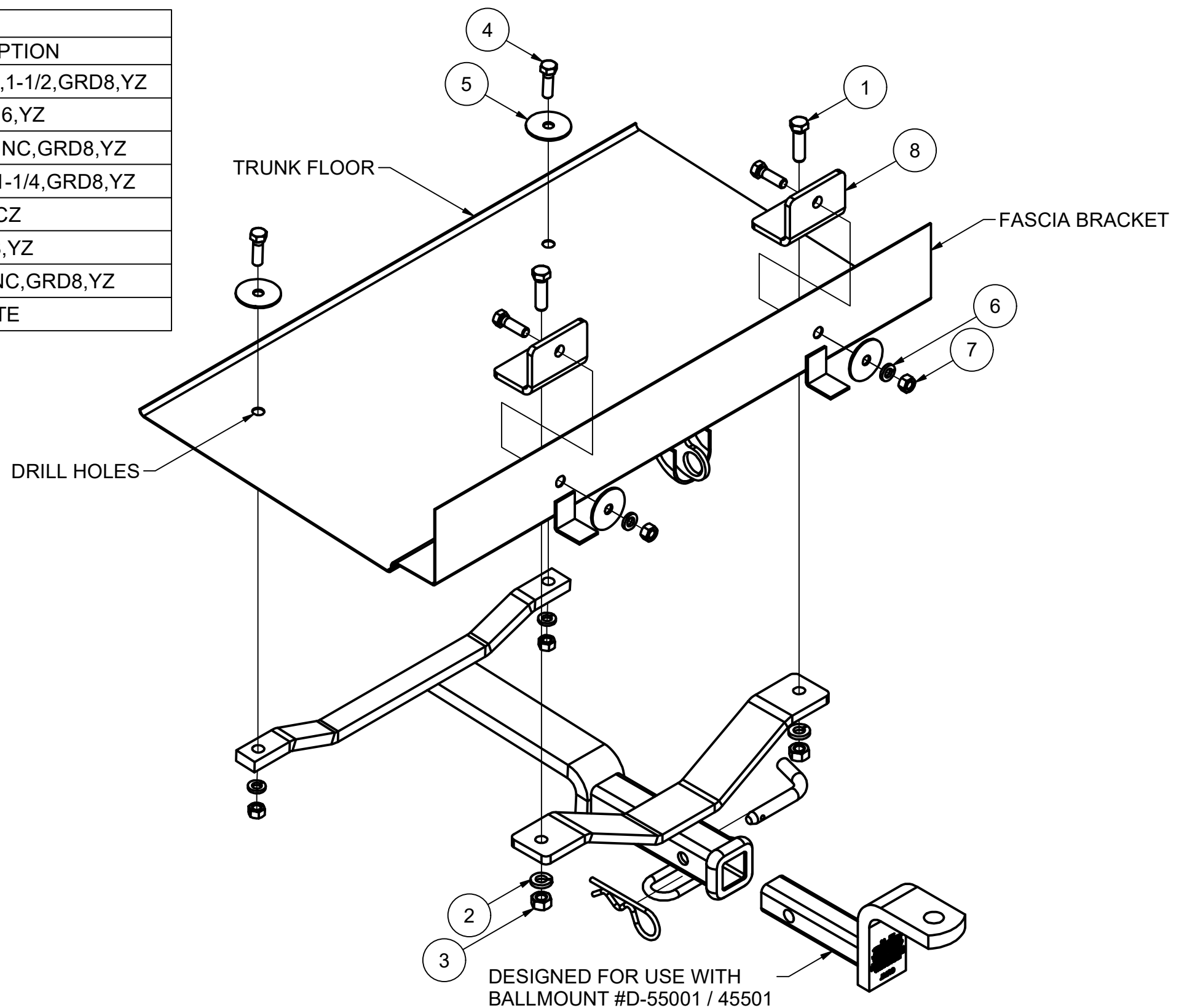
**\*\*\*DO NOT EXCEED VEHICLE MANUFACTURER'S RECOMMENDED TOWING CAPACITY.\*\*\***

WARNING: ALL NON-TRAILER LOADS APPLIED TO THIS PRODUCT MUST BE SUPPORTED BY 18050 STABILIZING STRAPS.

**\*\* FAILURE TO PROPERLY SUPPORT NON-TRAILER LOADS WILL VOID PRODUCT WARRANTY\*\***

HAVING INSTALLATION QUESTIONS? CALL TECHNICAL SUPPORT AT 877-287-8634

Parts List			
ITEM	QTY	PART NUMBER	DESCRIPTION
1	2	10-10415	HHCS,7/16-14 UNC,1-1/2,GRD8,YZ
2	2	30-00184	WASHER,LOCK,7/16,YZ
3	2	20-00147	NUT,HEX,7/16-14 UNC,GRD8,YZ
4	4	10-10339	HHCS,3/8-16 UNC,1-1/4,GRD8,YZ
5	4	30-00205	WASHER,FDR,3/8,CZ
6	4	30-00130	WASHER,LOCK,3/8,YZ
7	4	20-00166	NUT,HEX,3/8-16 UNC,GRD8,YZ
8	2	11014-BP	.25" BACKING PLATE



HITCH WEIGHT: 17.5 LBS.

INSTALL TIME

PROFESSIONAL: 45 MINUTES

NOVICE (DIY): 90 MINUTES

INSTALL NOTES:

- DRILLING REQUIRED
- TEMPORARILY EMPTY TRUNK
- SILICONE SEAL HARDWARE

## INSTALLATION STEPS

1. Temporarily remove contents of the trunk area including cover, plastic liner, and jack.
2. Position the hitch fully rearward against the fascia brackets, and centered on the vehicle.
3. Using the hitch as a template, mark and drill holes for 3/8" fasteners in the front holes and 7/16" fasteners in the rear holes.
4. Place the CM-11014-BP backing plates over the rear most holes and insert the (2) 7/16" bolts through the plates and the holes in the trunk. Insert (2) 3/8" bolts through the washers provided and then through the forward most holes in the trunk. Use the corresponding lock washers and nuts to attach the hitch to the underside of the trunk as shown.
5. From the inside of the trunk use the CM-11014-BP backing plates as a template and drill (2) holes in the back of the trunk. Place the remaining (2) 3/8" bolts through the holes. Place the remaining flat washers, lock washers and nuts, onto the bolts.
6. Torque all 3/8" hardware to 45 lb-ft and 7/16" hardware to 70 lb-ft.
7. Use silicone sealant to seal hardware installed through trunk floor.
8. Reinstall all trunk contents removed in Step 1.

**PERIODICALLY CHECK THIS RECEIVER HITCH TO ENSURE THAT ALL FASTENERS ARE TIGHT AND THAT ALL STRUCTURAL COMPONENTS ARE SOUND.**

Curt Manufacturing Inc., warrants this product to be free of defects in material and/or workmanship at the time of retail purchase by the original purchaser. If the product is found to be defective, Curt Manufacturing Inc., may repair or replace the product, at their option, when the product is returned, prepaid, with proof of purchase. Alteration to, misuse of, or improper installation of this product voids the warranty. Curt Manufacturing Inc.'s liability is limited to repair or replacement of products found to be defective, and specifically excludes liability for incidental or consequential loss or damage.