

11008**92-96 MITSUBISHI DIAMANTE SEDAN**

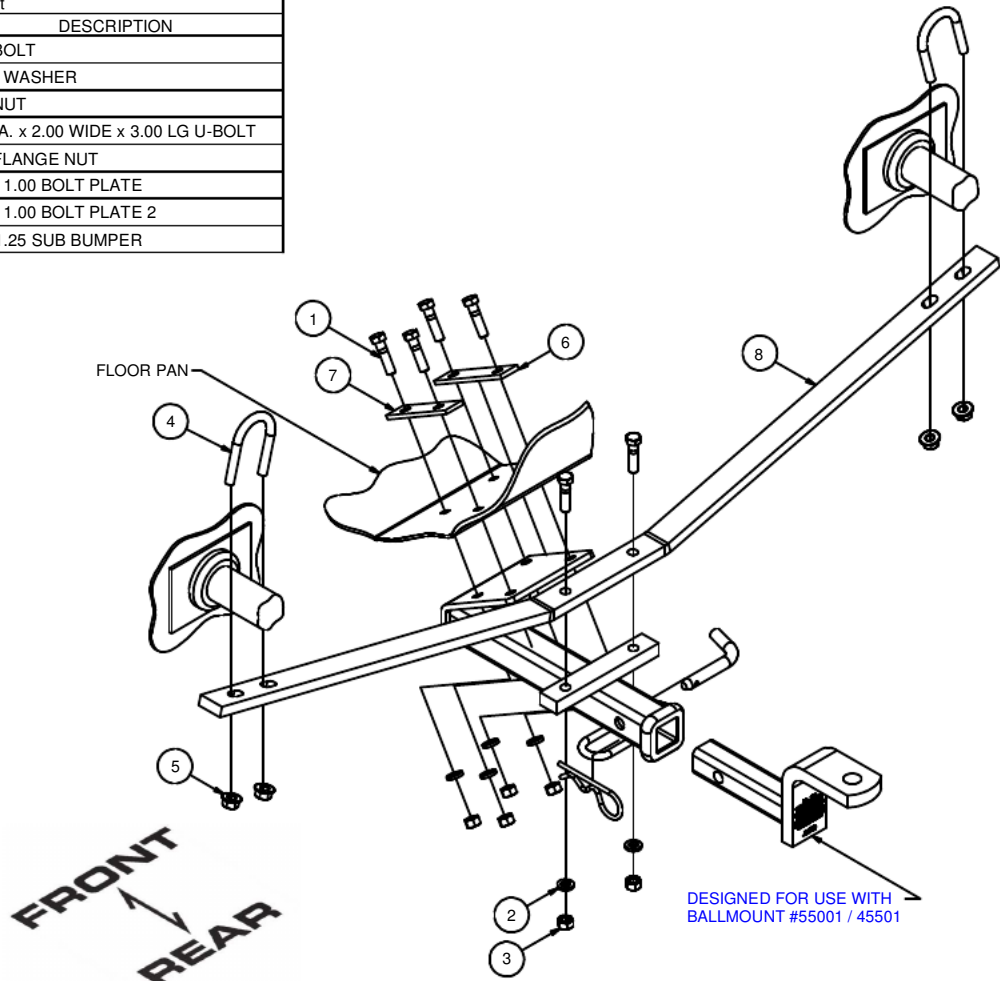
12/10/2012

GROSS LOAD CAPACITY WHEN USED AS A WEIGHT CARRYING HITCH: 2,000 LBS. TRAILER WEIGHT & 200 LBS. TONGUE WEIGHT.

*****DO NOT EXCEED VEHICLE MANUFACTURER'S RECOMMENDED TOWING CAPACITY.*******WARNING: ALL NON-TRAILER LOADS APPLIED TO THIS PRODUCT MUST BE SUPPORTED BY AUXILIARY STABILIZING STRAPS.****** FAILURE TO PROPERLY SUPPORT NON-TRAILER LOADS WILL VOID PRODUCT WARRANTY****

HAVING INSTALLATION QUESTIONS? CALL TECHNICAL SUPPORT AT 1-877-287-8634

Parts List			
ITEM	QTY	PART NUMBER	DESCRIPTION
1	6	3/8-16 X 1 1/2	HEX BOLT
2	6	3/8"	LOCK WASHER
3	6	3/8 - 16	HEX NUT
4	2	CM-3810-UBR	3/8 DIA. x 2.00 WIDE x 3.00 LG U-BOLT
5	4	HFN3816	HEX FLANGE NUT
6	1	CM-11008-BP	.188 x 1.00 BOLT PLATE
7	1	CM-11008-BP2	.188 x 1.00 BOLT PLATE 2
8	1	CM-11008-SB	.50 x 1.25 SUB BUMPER

HITCH WEIGHT: 19 LBS.INSTALL TIMEPROFESSIONAL: 45 MINUTESNOVICE (DIY): 90 MINUTESINSTALL NOTES:

DRILLING REQUIRED

INSTALLATION STEPS

1. This hitch includes a sub-bumper (approx. 45" long steel bumper) supporting the hitch under the car's bumper struts.
2. Install the sub-bumper under the car's tubular bumper struts as shown in the diagram. Do not completely tighten them at this time.
3. Fasten the hitch receiver to sub-bumper using fasteners as shown. Adjust the sub-bumper fore / aft on the struts until the angle bracket on the hitch meets the car floor pan (adjacent to the car's tie down loop). Tighten all the lock nuts at the struts to be snug. Mark the floor pan four places for angle bracket holes and drill the pan for 3/8" diameter screws. NOTE: Remove the contents from the trunk near the area where holes will be drilled, and drill holes.
4. Install the hitch at the sub-bumper using fasteners as shown. Install the hitch at the car's floor pan with backing plates placed inside the trunk; opposite the hitch.
5. Torque all 3/8" fasteners to 45 lb-ft.

PERIODICALLY CHECK THIS RECEIVER HITCH TO ENSURE THAT ALL FASTENERS ARE TIGHT AND THAT ALL STRUCTURAL COMPONENTS ARE SOUND.

Curt Manufacturing Inc., warrants this product to be free of defects in material and/or workmanship at the time of retail purchase by the original purchaser. If the product is found to be defective, Curt Manufacturing Inc., may repair or replace the product, at their option, when the product is returned, prepaid, with proof of purchase. Alteration to, misuse of, or improper installation of this product voids the warranty. Curt Manufacturing Inc.'s liability is limited to repair or replacement of products found to be defective, and specifically excludes liability for incidental or consequential loss or damage.