

INSTALLATION MANUAL

409926**Level of Difficulty**

Easy

Installation difficulty levels are based on time and effort involved and may vary depending on the installer level of expertise, condition of the vehicle and proper tools and equipment.

Parts List

Qty	Description
-----	-------------

1	Bumper adapter, 3" X 2"
---	-------------------------

Product Photo**NOTICE**

Visit www.retracmirrors.com for a full-color copy of this instruction manual, as well as helpful videos, guides and much more!

Before you begin installation, read all instructions thoroughly.

Proper tools will improve the quality of installation and reduce the time required.

Periodic inspection of your product should be performed to ensure all hardware and / or components remain secure.

To help prevent damage to the product or vehicle, refer to the specified torque specifications when securing hardware during the installation process.

Maintenance

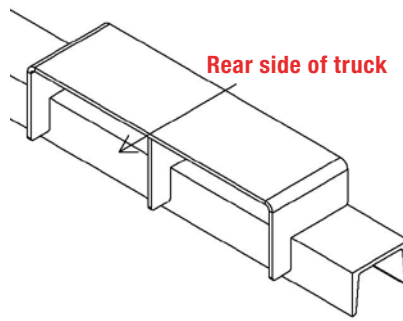
Mild automotive detergent may be used to clean the product. Do not use dish detergent, abrasive cleaners, abrasive pads, wire brushes or other similar products that may damage the finish.

Product Registration and Warranty

RETRAC stands behind our products with industry-leading warranties. To get copies of the product warranties, register your purchase or provide feedback, visit: warranty.curtgroup.com/surveys

Step 1

Locate where the HighRise™ step is to be positioned on the bumper. Place the adapter bracket on top of the bumper with the side stops towards the rear side of the truck.



Step 2

Install the HighRise™ step with the instructions included with the step.

Be sure to center the HighRise™ step on the adapter bracket so both step side plates have solid contact with the adapter plate.

