

# INSTALLATION MANUAL

# 207982

## Level of Difficulty

Easy

## Parts List

1	Grille guard*
1	Driver / left mounting bracket
1	Passenger / right mounting bracket
1	Driver / left adjustable mounting bracket
1	Passenger / right adjustable mounting bracket
2	Tow hook mounting bracket
2	Hex bolt, 7/8"-9 x 3"
6	Hex bolt, 5/8"-11 x 1-3/4"
2	Shoulder bolt, 5/8" x 7/8" x 1/2"-13
2	Lock washer, 7/8"
2	Flat washer, 5/8"
4	Flat washer, 9/16"
4	Belleville washer, .63" x 1.25" x .04" x .042"
4	Flange nut, 5/8"-11
2	Nylock nut, 5/8"-11
2	Nylock nut, 1/2"-13

\*Grille guard sold separately

## Tools Required

Ratchet	Socket, 15/16"
Torque wrench	Socket, 1-5/16"
Wrench, 15/16"	Socket, 3/4"
Allen wrench, 5/16"	--

## Torque Specifications

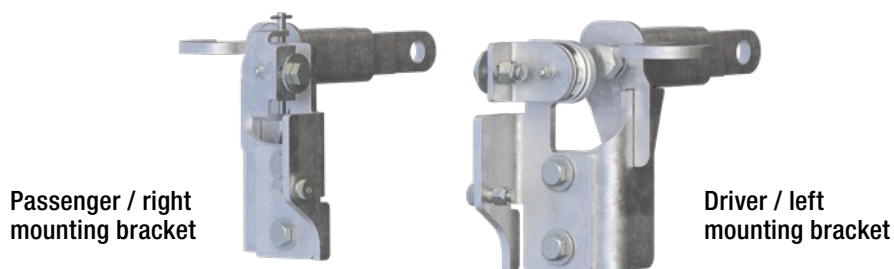
1/2" bolt	65 ft-lbs.
5/8" bolt	128 ft-lbs.
3/4" bolt	228 ft-lbs.
7/8" bolt	322 ft-lbs.

Use above torque setting unless otherwise noted

## Product Registration and Warranty

CURT Group stands behind our products with industry-leading warranties. Provide feedback and help us to improve our products by registering your purchase at: [warranty.curtgroup.com/surveys](http://warranty.curtgroup.com/surveys)

## Product Photo



## Tuff Guard® (sold separately)



## ⚠ CAUTION

Strong magnets may produce pinch hazards and may be harmful to pacemakers and other sensitive electronics.

## NOTICE

Before you begin installation, read all instructions thoroughly.

Proper tools will improve the quality of installation and reduce the time required.

To help prevent damage to the product or vehicle, refer to the specified torque specifications when securing hardware during the installation process.

## Maintenance

To protect the product, wax after installing. Regular waxing is recommended to add a protective layer over the finish. Do not use any type of polish or wax that may contain abrasives that could damage the finish.

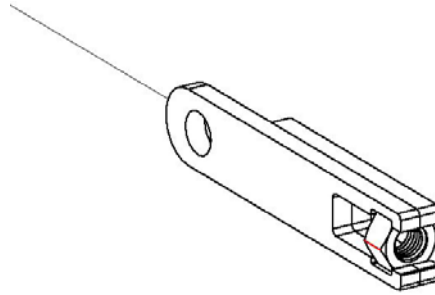
For polished, gloss and other smooth finishes, polish may be used to clear small scratches and scuffs on the finish.

Mild automotive detergent may be used to clean the product. Do not use dish detergent, abrasive cleaners, abrasive pads, wire brushes or other similar products that may damage the finish.

### Step 1

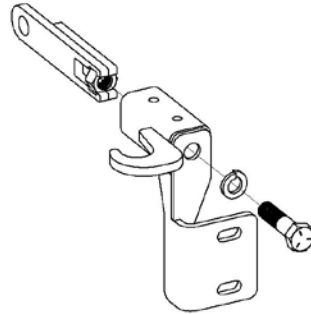
Remove factory tow hook pins if installed.

Insert tow hook mounting bracket into the tow hook opening and secure with factory tow hook pin.



### Step 2

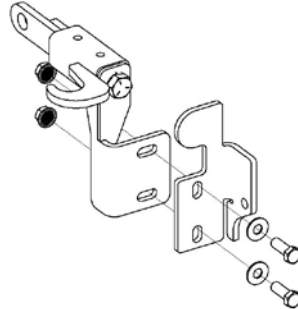
Slide a mounting bracket over each tow hook mounting bracket and secure with 7/8"-9 x 3" bolt with 7/8" lock washer. Keep the bracket square on the truck and tighten with the 1-5/16" socket.



### Step 3

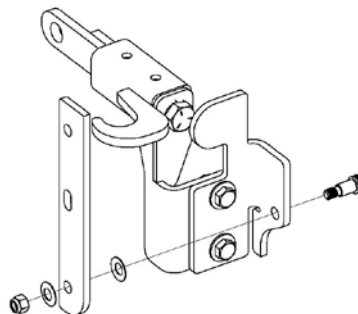
Using the 5/8"-11 x 1-3/4" bolts, 9/16" flat washers and 5/8"-11 flange nuts, secure the adjustable mounting brackets to the mounting brackets.

Snug the hardware, but do not fully tighten.



### Step 4

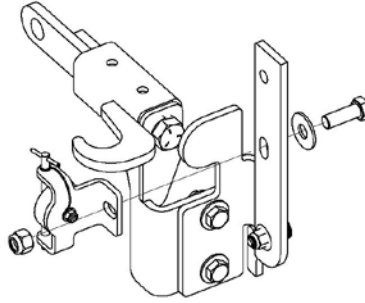
Using the 5/16" allen wrench and 3/4" socket, install the guard onto the mounting brackets with the 5/8" x 7/8" shoulder bolts, .63 x 1.25 x .04 x .082 belleville washers (large diameter to the guard bracket face) and 1/2"-13 nylock nuts using the bottom holes.



## Step 5

Using a 15/16" socket and wrench, secure the magnet bracket assemblies to the mounting bracket of the grille guard with the 5/8"-11 x 1-3/4" bolts, 5/8" flat washer and 5/8"-11 nylock nuts. The safety pin bracket must be on the passenger side.

Adjust the adjustable mounting brackets as needed to align the guard on the truck. If the front end radar is equipped, center the radar between guard crossbars.



### NOTICE

Magnets and brackets are pre-assembled, some adjustment may be necessary after the grille guard is installed on the truck.

## Step 6

Close the guard and check to make sure the magnets line up correctly. Adjust if needed.

With the grill guard installed, periodic inspections should be performed to ensure all mounting hardware remains tight.

To protect your investment, see the 'Notes and Maintenance' section on page one.

Congratulations on the installation of your new RETRAC Tuff Guard® grille guard.