

INSTALLATION MANUAL

207710

Level of Difficulty

Easy

Parts List

Qty	Description	#
1	Light cage	1
4	Hex bolt, M8	2
8	Flat washer, M8	3
4	Nylock nut, M8	4

* Bumper guard sold separately

Tools Required

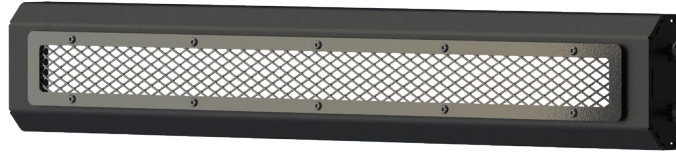
Ratchet	Wrench, 13mm
Socket, 13mm	--

Torque Specifications

	Metric	SAE	Torque
	M6 bolt		3 ft-lbs.
	M8 bolt		7 ft-lbs.
	M10 bolt		16 ft-lbs.
	M12 bolt		28 ft-lbs.
	1/4" bolt		3 ft-lbs.
	5/16" bolt		7 ft-lbs.
	3/8" bolt		16 ft-lbs.
	7/16" bolt		20 ft-lbs.
	1/2" bolt		28 ft-lbs.

Use above torque setting unless otherwise noted

Product Photo



Notes and Maintenance

Before you begin installation, read all instructions thoroughly.

Proper tools will improve the quality of installation and reduce the time required.

To protect the product, wax after installing. Regular waxing is recommended to add a protective layer over the finish. Do not use any type of polish or wax that may contain abrasives that could damage the finish.

Mild automotive detergent may be used to clean the product. Do not use dish detergent, abrasive cleaners, abrasive pads, wire brushes or other similar products that may damage the finish.

Refer to the table to the left when securing hardware during the installation process to help prevent damage to the product or vehicle.

Covered by U.S. patent# US9108581B2

Product Registration

CURT Group stands behind our products with industry leading warranties. You can help us continue to improve our product line and help us understand your needs by registering your purchase by visiting:

warranty.curtgroup.com/surveys

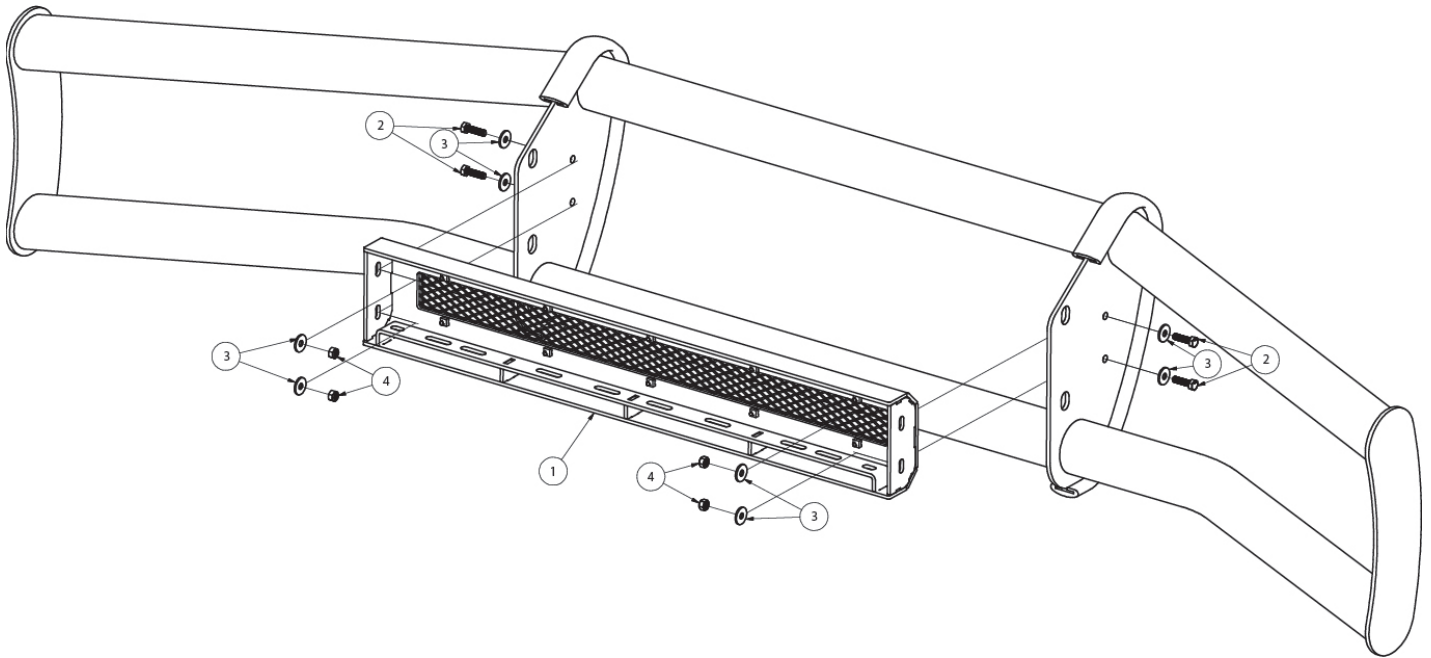
At CURT Group, customer is king. We value your feedback and we use that information to make improvements on our products. Please, take a minute and let us know how we are doing.

ASSEMBLY

Parts List

Qty	Description	#
1	Light cage	1
4	Hex bolt, M8	2
8	Flat washer, M8	3
4	Nylock nut, M8	4

*Bumper guard sold separately



Step 1

If installed, remove the bumper guard from the truck.

Step 2

Slide the light cage into place from the back side of the bumper guard with the light mounting bar on the bottom.

Align the holes in the bumper guard uprights.
Secure with M8 bolts, flat washers and nylock nuts.

Note: Some bumper guards may have two sets of holes for middle and lower mounting locations.

Step 3

Reinstall the bumper guard.