

INSTALLATION MANUAL

206820

Level of Difficulty

Easy

Parts List

1	Grille guard
1	Driver / left mounting bracket
1	Passenger / right mounting bracket
1	Driver / left adjustable mounting bracket
1	Passenger / right adjustable mounting bracket
2	Tow hook mounting bracket
2	Spacer, mounting bracket
2	Hex bolt, 3/4"-10 x 2"
6	Hex bolt, 5/8"-11 x 1-3/4"
2	Shoulder bolt, 5/8" x 7/8" x 1/2"-13
2	Lock washer, 3/4"
2	Flat washer, 5/8"
4	Flat washer, 9/16"
4	Belleville washer, .63" x 1.25" x .04" x .042"
4	Flange nut, 5/8"-11
2	Nylock nut, 5/8"-11
2	Nylock nut, 1/2"-13

*Grille guard sold separately

Tools Required

Ratchet	Socket, 15/16"
Torque wrench	Socket, 1 1/8"
Wrench, 15/16"	Socket, 3/4"
Allen wrench, 5/16"	--

Torque Specifications

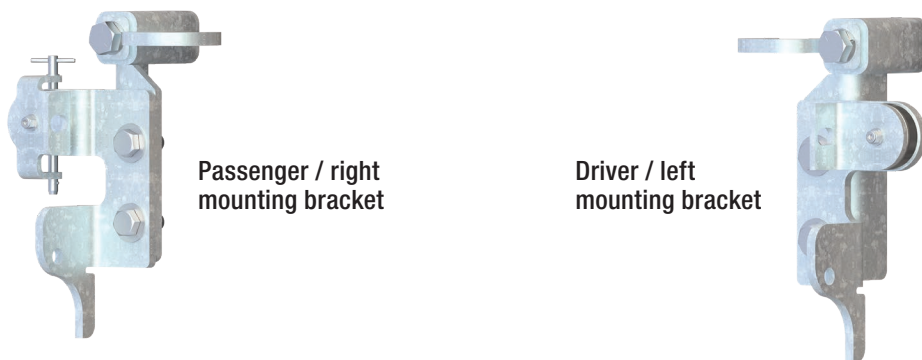
1/2" bolt	65 ft-lbs.
5/8" bolt	128 ft-lbs.
3/4" bolt	228 ft-lbs.

Use above torque setting unless otherwise noted

Product Registration and Warranty

CURT Group stands behind our products with industry-leading warranties. Provide feedback and help us to improve our products by registering your purchase at: warranty.curtgroup.com/surveys

Product Photo



Tuff Guard® (sold separately)



CAUTION

Strong magnets may produce pinch hazards and may be harmful to pacemakers and other sensitive electronics.

NOTICE

Before you begin installation, read all instructions thoroughly.

Proper tools will improve the quality of installation and reduce the time required.

To help prevent damage to the product or vehicle, refer to the specified torque specifications when securing hardware during the installation process.

Maintenance

To protect the product, wax after installing. Regular waxing is recommended to add a protective layer over the finish. Do not use any type of polish or wax that may contain abrasives that could damage the finish.

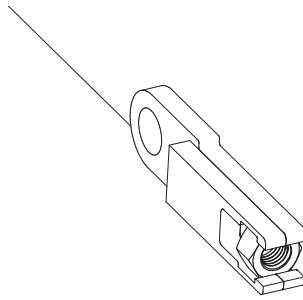
For polished, gloss and other smooth finishes, polish may be used to clear small scratches and scuffs on the finish.

Mild automotive detergent may be used to clean the product. Do not use dish detergent, abrasive cleaners, abrasive pads, wire brushes or other similar products that may damage the finish.

Step 1

Remove factory tow hook pins if installed.

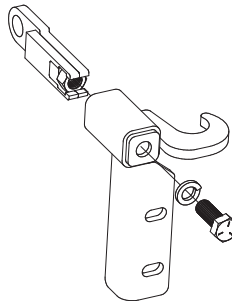
Insert the mounting bar into the tow hook opening and install the factory tow hook pin.



Step 2

Starting on the passenger side, slide a mounting bracket over the tow hook mounting bracket and secure with a 3/4" – 10 x 2" bolt and 3/4" lock washer. Keep the bracket square on the truck and tighten with the 1-1/8" socket.

Note: Some trucks have a larger tow hook opening. If the mounting bracket does not securely rest against the vehicle frame on all four sides of the square tube, use the included spacers between the frame and mounting bracket.

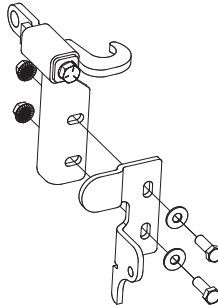


Step 3

Using the 5/8" – 11 x 1-3/4" bolts, 9/16" flat washers and 5/8"-11 flange nuts, secure the adjustable mounting bracket to the mounting bracket.

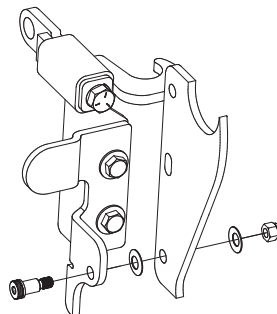
Repeat steps 2 through 3 on the driver side.

Snug the hardware, but do not fully tighten.



Step 4

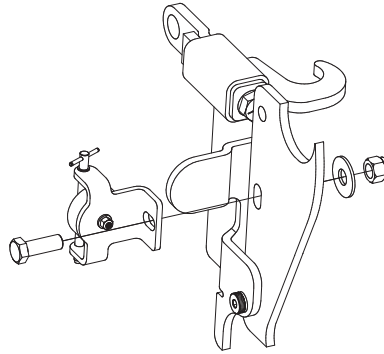
Use a 5/16" allen wrench and 3/4" socket to secure the guard to the mounting brackets with a 5/8" x 7/8" shoulder bolt, two .63" x 1.25" x .040" x .082" belleville washers (large diameter to the guard bracket face) and a 1/2"-13 nylock nut. Use the bottom holes of the mounting brackets.



Step 5

Use a 15/16" socket and wrench to secure the magnet bracket assemblies to the mounting brackets of the grille guard with a 5/8"-11 x 1-3/4" bolt, 5/8" flat washer and 5/8"-11 nylock nut. The safety pin bracket must be on the passenger side.

Adjust the adjustable mounting brackets as needed to align the guard on the truck. Tighten the 5/8"-11 x 1-3/4" bolts to the recommended torque specifications listed on page one.



NOTICE

Magnets and brackets are pre-assembled, some adjustment may be necessary after the grille guard is installed on the truck.

Step 6

Close the guard and check to make sure the magnets line up correctly. Adjust if needed.

With the grill guard installed, periodic inspections should be performed to ensure all mounting hardware remains tight.

To protect your investment, see the 'Notes and Maintenance' section on page one.

Congratulations on the installation of your new RETRAC Tuff Guard® grille guard.