

# LUVERNE

## TRUCK EQUIPMENT

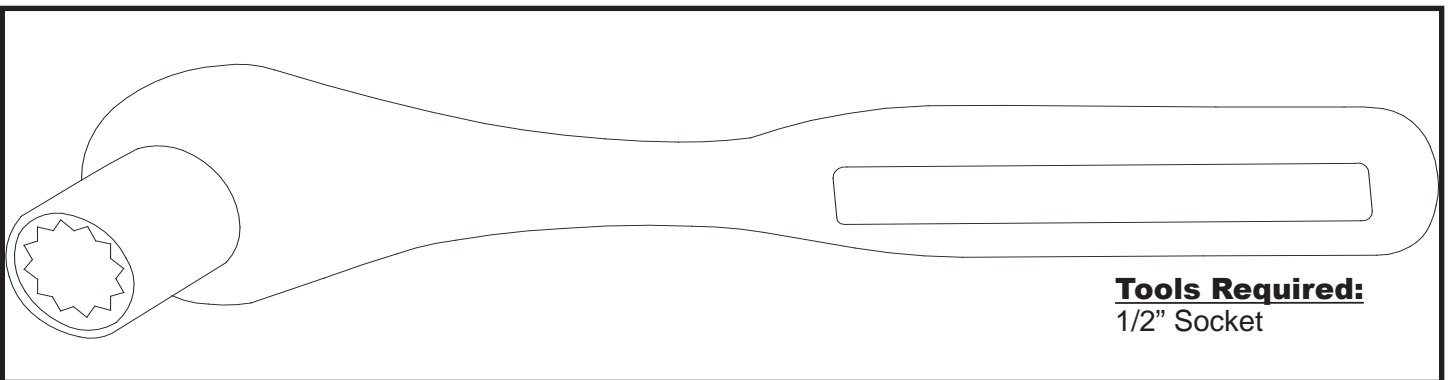
Owners & Installation Manual

**READ INSTRUCTIONS - Failure to assemble cover properly will void warranty.**



Damaged or missing parts?  
Call **1-605-582-7200**  
Mon - Fri 8 am - 5 pm CT  
Parts will be shipped to you factory direct.  
Do not return kit to place of purchase.

Specify length or make and model of vehicle to inquire about headers, cover, side rails, or bows.



**Tools Required:**  
1/2" Socket

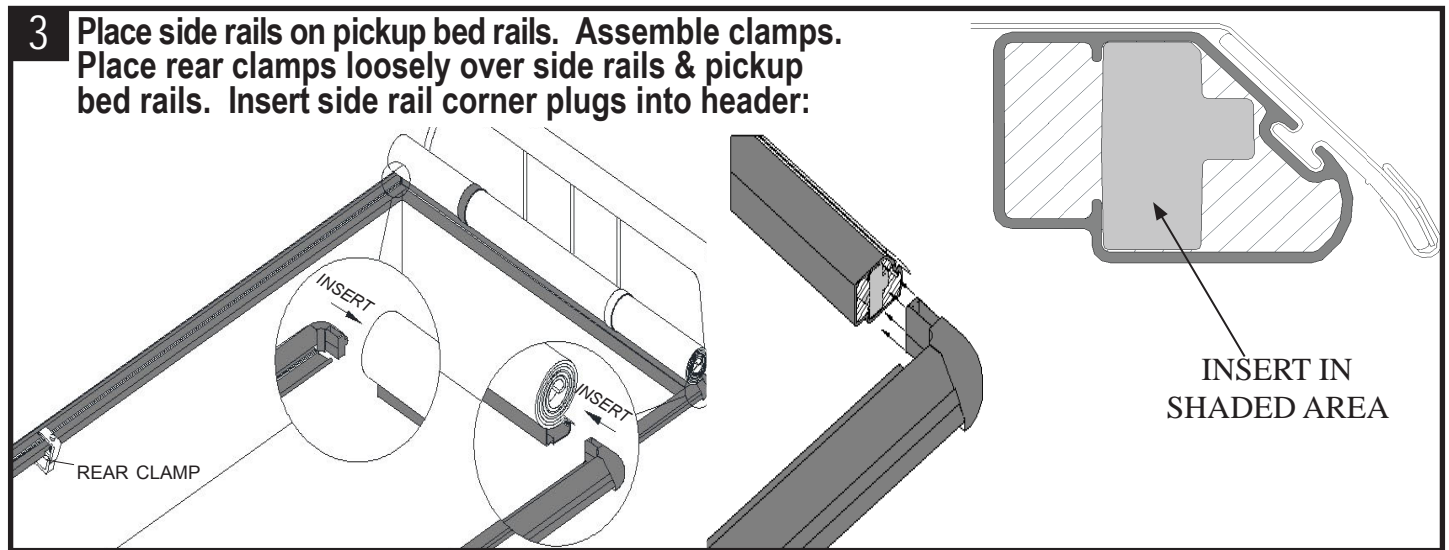
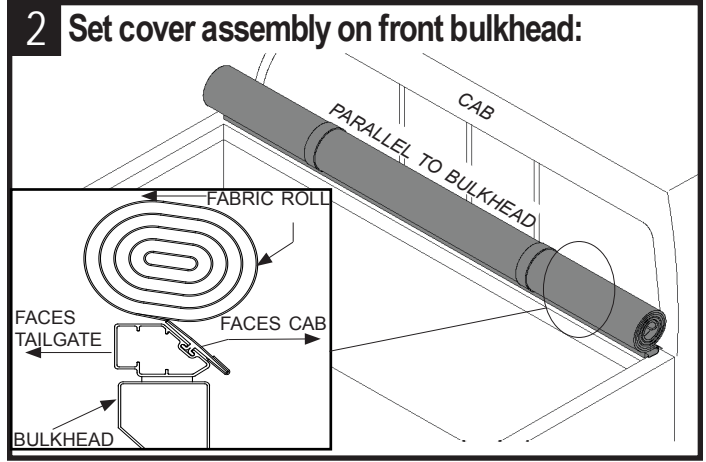
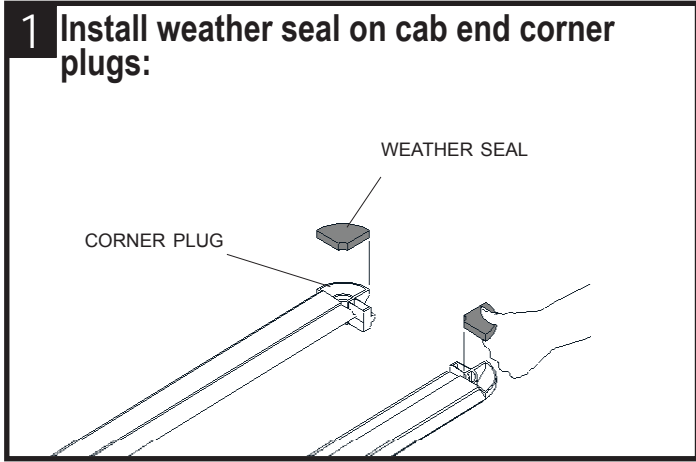
## Luverne Truck Equipment

1200 E. Birch Street, Brandon, South Dakota 57005

Call: (605) 582-7200 FAX: (605) 582-3486

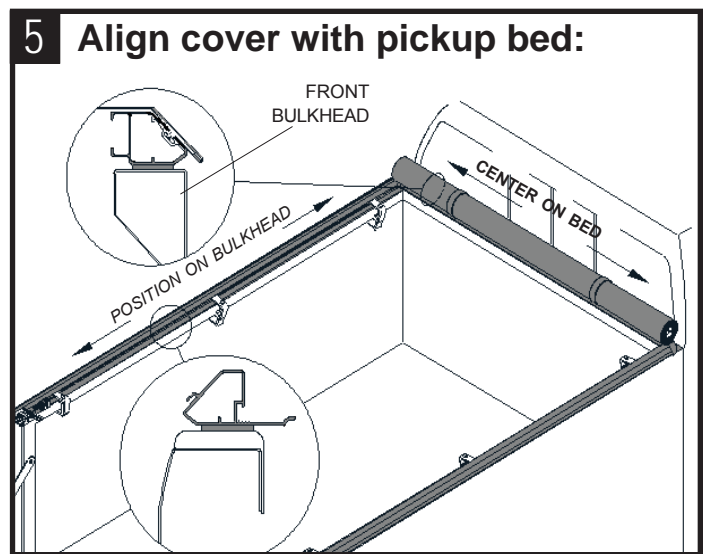
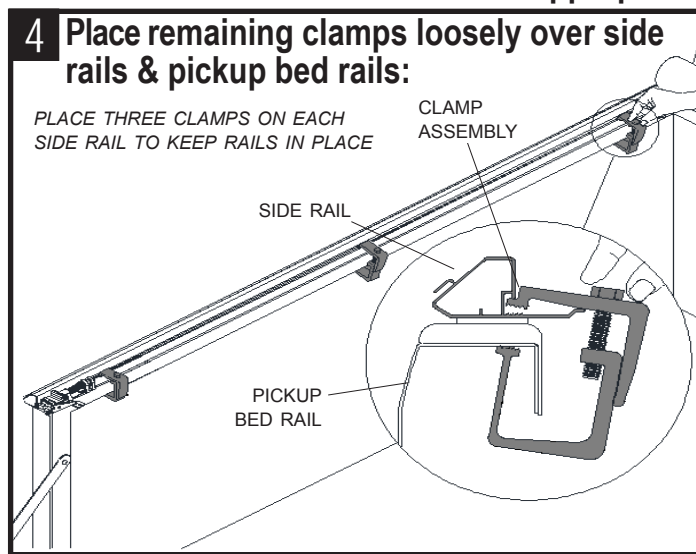
Visit Us Online: <http://www.luvernetruck.com>

P/N 1117923 Rev A



**NOTE:**

Additional weather seal may be required for pickups with bed caps, tailgate protectors, or liners. Add weather seal if needed to seal appropriately.



**Luverne Truck Equipment**

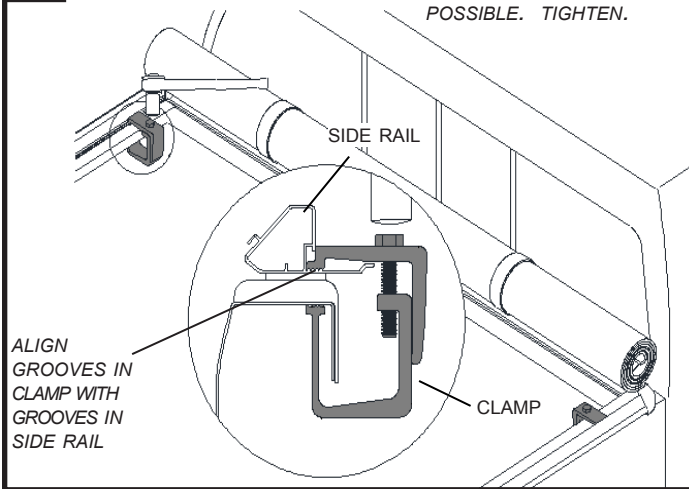
1200 E. Birch Street, Brandon, South Dakota 57005

Call: (605) 582-7200 FAX: (605) 582-3486

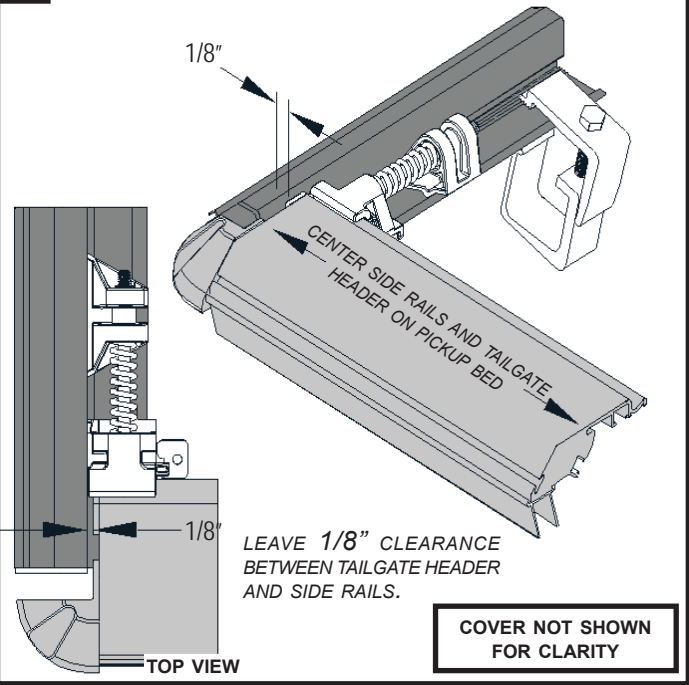
Visit Us Online: <http://www.luvernetruck.com>

**6 Tighten front clamps:**

INSTALL FRONT CLAMPS AS CLOSE TO BULKHEAD AS POSSIBLE. TIGHTEN.



**7 Center side rails on pickup bed:**

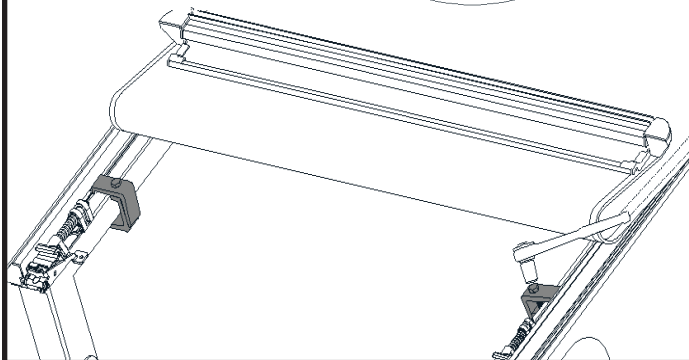
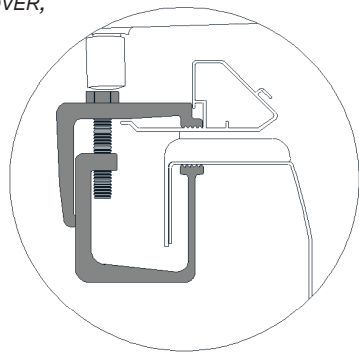


**8 Tighten clamps at tailgate:**

FOLD BACK HEADER AND COVER, WHILE HOLDING SIDE RAIL IN PLACE (SEE STEP 8). TIGHTEN CLAMP.

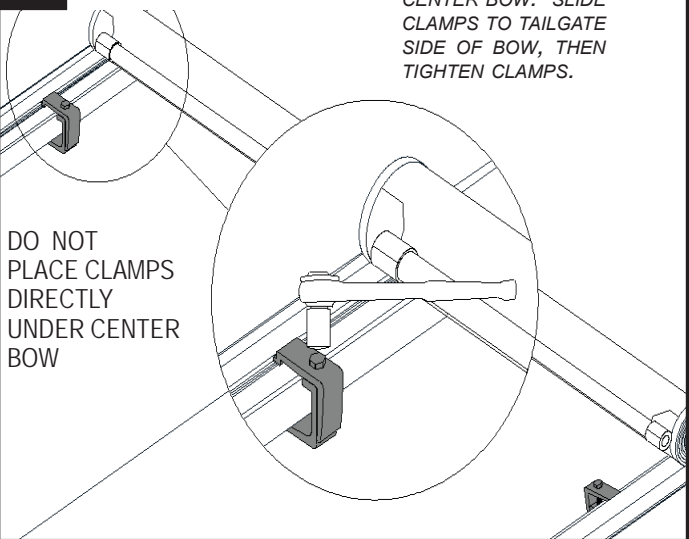
REPEAT ON OPPOSITE SIDE RAIL.

CHECK AND ADJUST AS NEEDED.

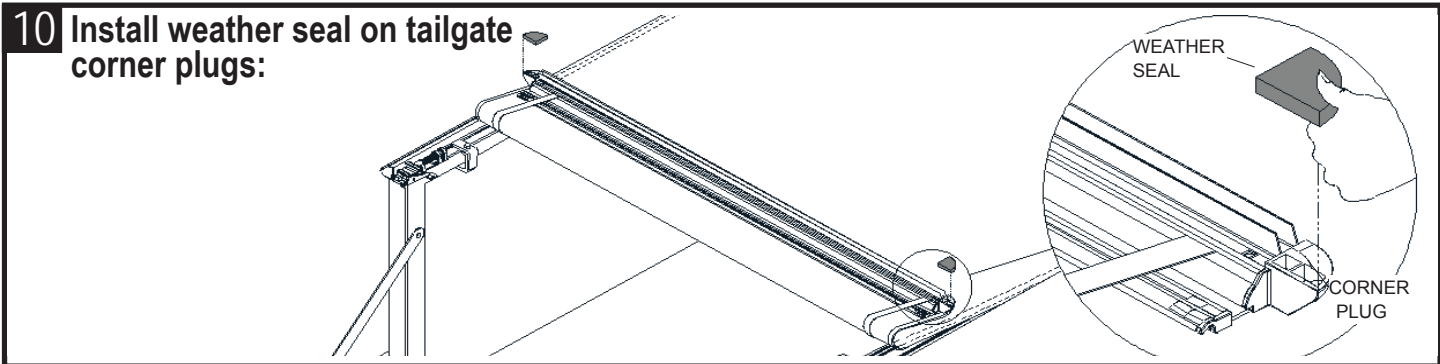


**9 Tighten center clamps:**

OPEN COVER PAST CENTER BOW. SLIDE CLAMPS TO TAILGATE SIDE OF BOW, THEN TIGHTEN CLAMPS.



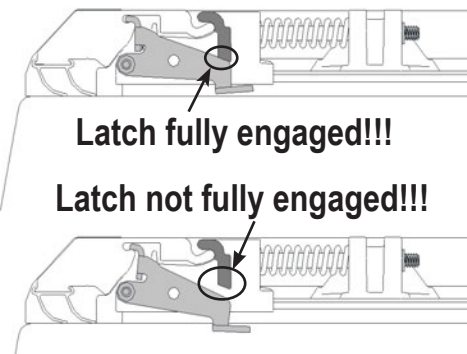
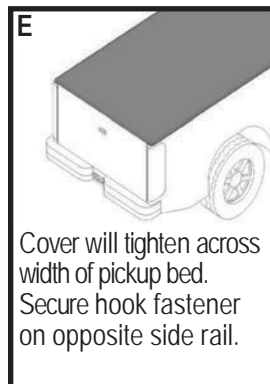
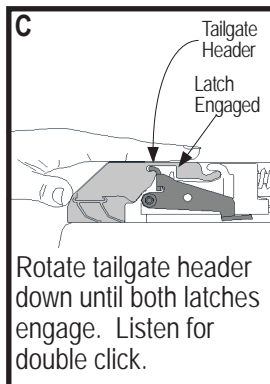
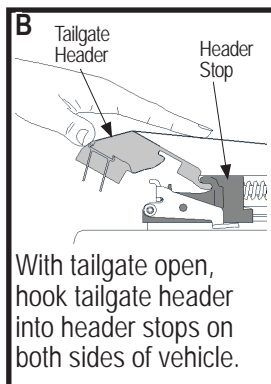
**10 Install weather seal on tailgate corner plugs:**



**Luverne Truck Equipment**

1200 E. Birch Street, Brandon, South Dakota 57005  
 Call: (605) 582-7200 Fax: (605) 582-3486  
 Visit Us Online: <http://www.luvernetruck.com>

## 11 Close cover:



**Both latches must be fully engaged!!!**



- To prevent accidental release of tailgate header, ensure header is securely latched to side rails on both sides of pickup bed before driving vehicle.
- To prevent wind lift, secure hook fastener along entire length of both side rails before driving vehicle.

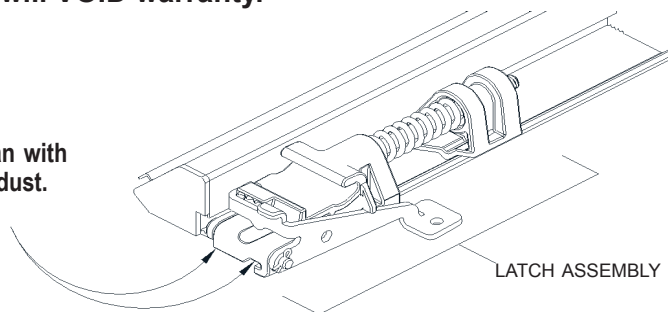
## 12 Cover tension: There is no need to adjust cover length tension. The Latch Assembly is set to the correct tension. Any modification done to this will VOID warranty.

### Keeping cover taut:

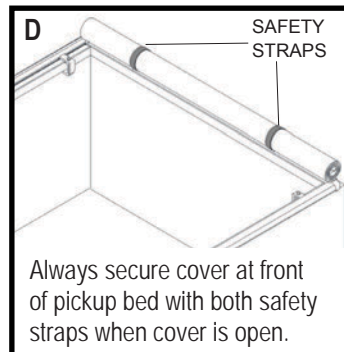
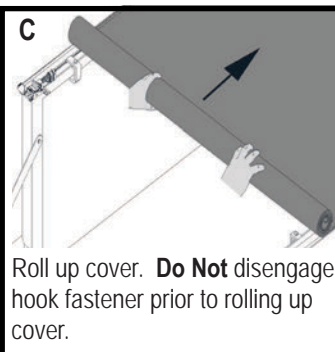
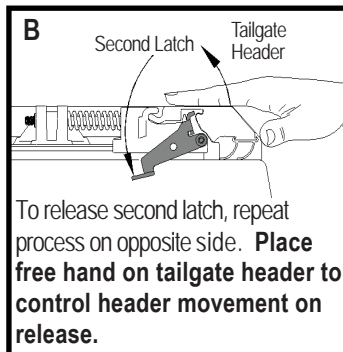
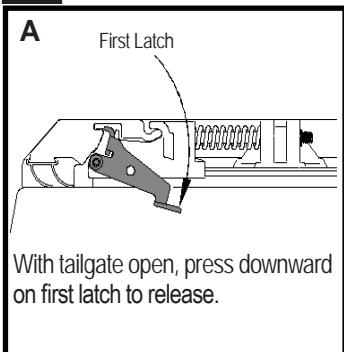
Periodically or as needed, pull cover tight across width of pickup bed, secure loop and hook on side rails.

For ease of operation, periodically clean with high pressure water to remove dirt and dust.

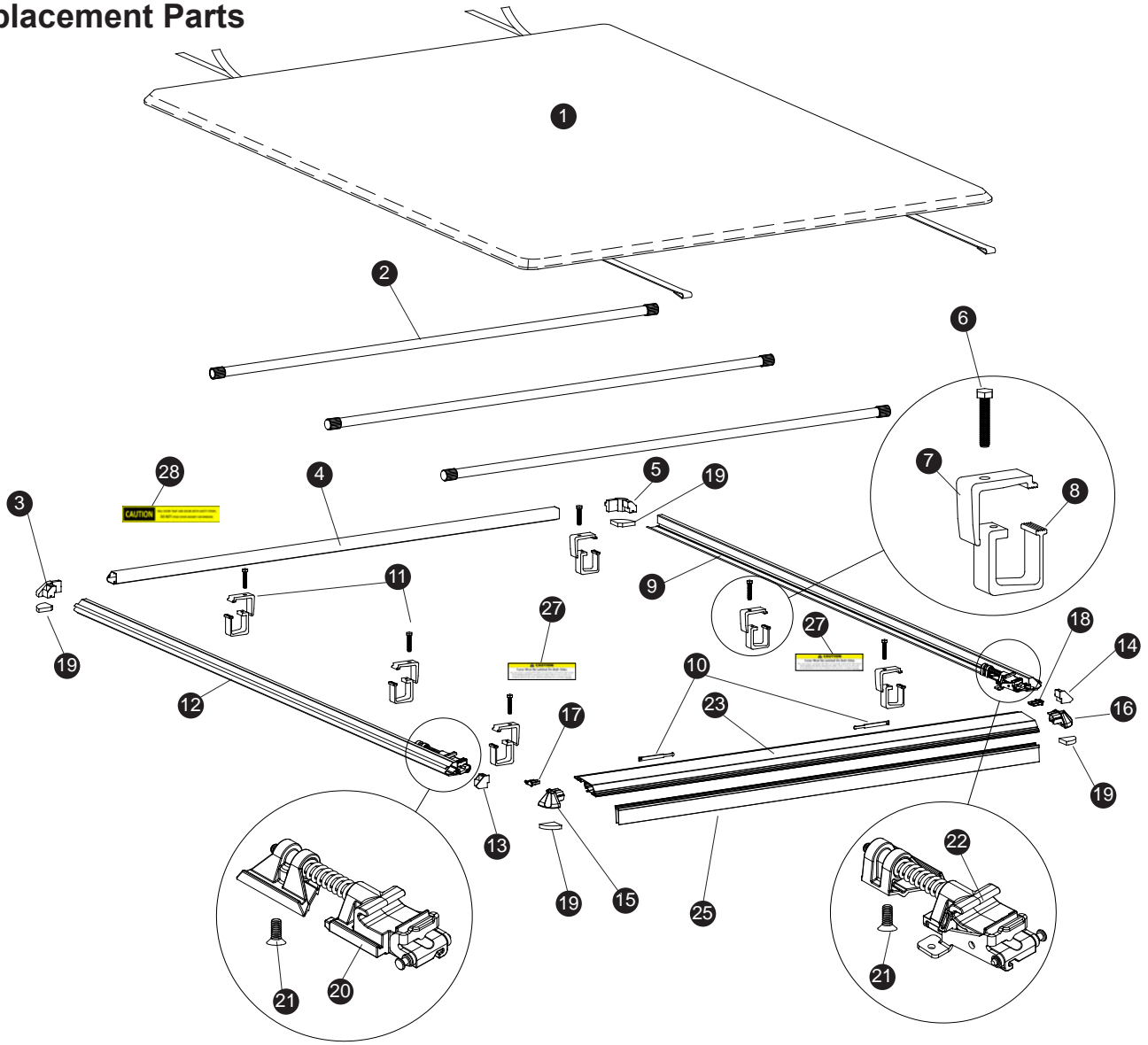
Cover may appear loose or relaxed in cooler or cold conditions. Cover may appear tight in warmer or hot conditions.



## 13 Open cover:



# Replacement Parts



1	*	Luverne® Cover	18	1704537	Small Rear Header End Plug Pass.
2	*	Bow	19	1703568	Four Corners Weather Seal
3	1703558	Corner Plug	20	1117868	Complete Latch Assy, Driver's Side
4	*	Cab End Header	21	1703560	Flat Head Cap Screw
5	1703557	Corner Plug	22	1117869	Complete Latch Assy, Passenger's Side
6	1704470	Cap Screw, 5/16" x 1 3/4"	23	*	Tailgate Header
7	1703530	Male Clamp	24		
8	1703531	Female Clamp	25	*	Rear Header Seal
9	*	Passenger's Side Rail	26		
10	1116028	Safety Clips	27	1703750	Decal Dual Latch
11	1703561	Clamp Assembly (6)	28	1705142	Decal Do Stow Cover Against Cab Window
12	*	Driver's Side Rail			
13	1703569	End Plug Driver's Side			
14	1703570	End Plug Pass. Side			
15	1704534	Large Rear Header End Plug Driver's			
16	1704535	Large Rear Header End Plug Pass.			
17	1704536	Small Rear Header End Plug Driver's			

\* Please specify length or make and model of vehicle.

## Luverne Truck Equipment

1200 E. Birch Street, Brandon, South Dakota 57005

Call: (605) 582-7200 FAX: (605) 582-3486

Visit Us Online: <http://www.luvernetruck.com>

P/N 1117923 Rev A

# WARRANTY

Luverne Truck Equipment warrants that all new, unused products are free from defects in material and workmanship. This Five Year Limited Warranty is effective if the product is properly installed and used for the purpose intended. It applies to the original buyer only. Luverne's obligation under this Warranty is limited to repairing, or at its option, replacing any part that is returned, transportation prepaid, to Luverne Truck Equipment, Brandon, South Dakota, if the product is, in our judgment, defective. All materials must be accompanied by an RMA (Returned Material Authorization) number requested by and authorized in advance of returning the materials. Luverne Truck Equipment shall not be liable or responsible to supply or pay labor to replace any part found defective, nor shall it be liable for any damages of any kind or nature to person, product, or property.

There are no Warranties for used products or products that have been repaired, altered, modified, subjected to misuse, negligence, accident or ordinary wear and tear. Warranty registration must be on file and/or proof of original purchase (detailed and dated receipt) required for warranty to be valid. For warranty registration, see form below. Call 1-605-582-7200 for complete details.

DIRECT ALL WARRANTY CLAIMS TO LUVERNE TRUCKEQUIPMENT  
AT 1-605-582-7200



## WARNING

**Tighten clamps securely on side rails before driving vehicle, to prevent cover from blowing off.**

1. Do not place objects on or against cover or framework.
2. Do not tie cargo to Luverne framework.
3. **Never** allow children or pets to occupy pickup box while cover is closed.
4. Cover is not airtight. Special care is required to keep cargo clean and dry.
5. Fabric cover won't prevent theft of contents inside truck box.
6. Cover must be rolled fully open and secured with safety straps when towing vehicle backwards.
7. Opened cover must be secured with both safety straps when driving vehicle. **DO NOT STOW COVER AGAINST TRUCK CAB OR BACK WINDOW.**

## OWNER/USER RESPONSIBILITIES

It is the responsibility of the owner/user to read this manual and comply with the operating procedures. The owner/user is also responsible for inspecting their Luverne® cover, and for having parts repaired or replaced when worn or damaged.

Failure to follow safety instructions and warning labels could result in failure of your cover system and/or personal injury.

## MESSAGES TO INSTALLER

- Always wear safety glasses and/or other necessary protective equipment when installing your Luverne®.
- These instructions are complete for most pickup models. Additional instructions are included, if required for your pickup. Please read entire manual before installing your Luverne®.

## COVER MAINTENANCE

**Never use silicon, petroleum, or citrus based products on your tonneau cover.**

Vinyl cover can be hand washed with mild soap and water or cleaned in a car wash. Thoroughly rinse cover to remove any soap residue. Cover can be treated with any vinyl protectant made for tonneau covers.

### Questions?

Call our friendly customer service staff  
at Luverne Truck Equipment:

**1-605-582-7200**

Mon - Fri 8 am - 5 pm CT

**Register online at [www.luvernetruck.com](http://www.luvernetruck.com) or mail this form to:**  
**Luverne Truck Equipment, 1200 E. Birch Street**  
**Brandon, SD 57005**

Name: \_\_\_\_\_  
Address: \_\_\_\_\_  
City: \_\_\_\_\_ State: \_\_\_\_\_ Zip: \_\_\_\_\_  
Phone Number: \_\_\_\_\_  
Email Address: \_\_\_\_\_  
Date Purchased: \_\_\_\_\_  
Price Paid: \_\_\_\_\_  
Dealer Name: \_\_\_\_\_  
Pickup Make: \_\_\_\_\_  
Model: \_\_\_\_\_  
Year: \_\_\_\_\_

## Luverne Truck Equipment

1200 E. Birch Street, Brandon, South Dakota 57005

Call: (605) 582-7200 FAX: (605) 582-3486

Visit Us Online: <http://www.luvernetruck.com>

P/N 1117923 Rev A