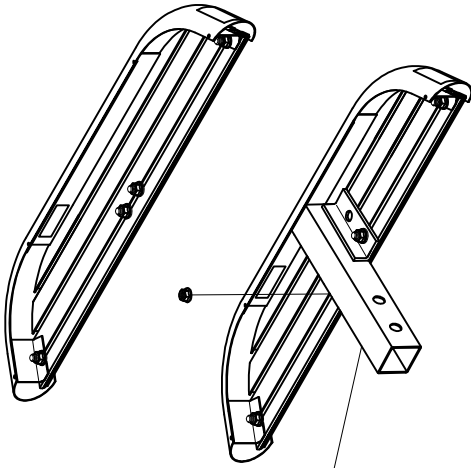


STEP BOARDS SOLD SEPARATELY

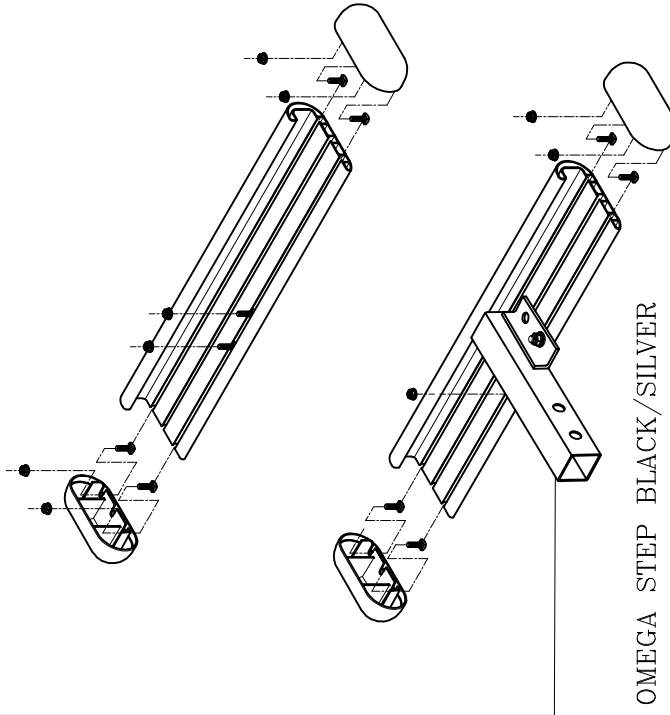
SERVICE PARTS LIST

BOARDS-	575226
	585026
	586026
	415026
STINGER-	570000
STINGER/PLATE-	570010

MEGA STEP

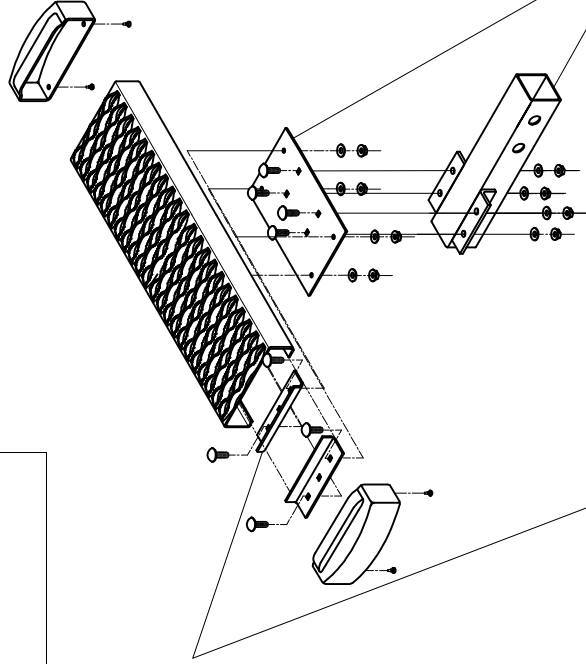


STINGER-PKG (570000)



OMEGA STEP BLACK/SILVER

GRIP STEP



STINGER-PKG (570010)

REV B 30JUN15
 REV A 10JUL09
 551659 SHEET 1 11MAY09

