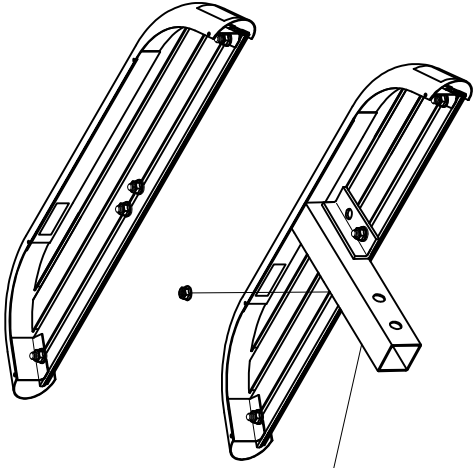


STEP BOARDS SOLD SEPARATELY

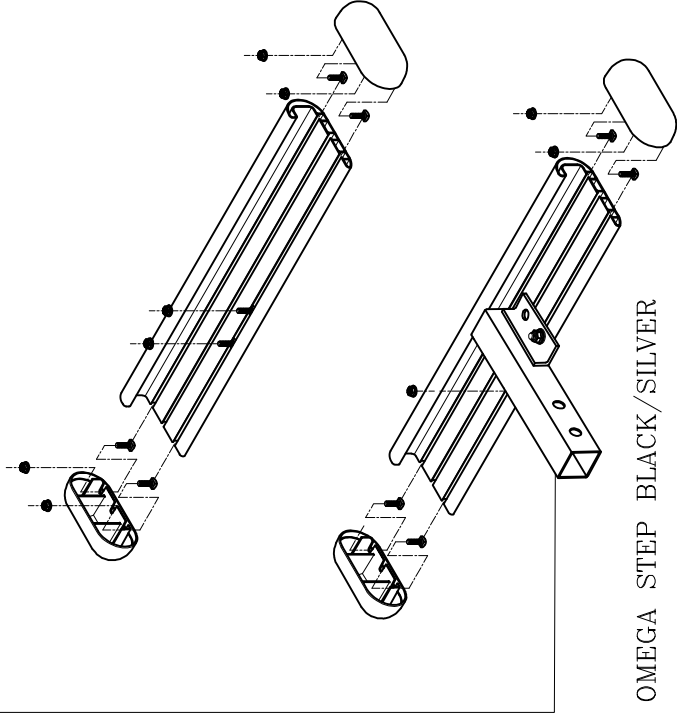
SERVICE PARTS LIST

| | |
|----------------|--------|
| BOARDS- | 575226 |
| | 585026 |
| | 586026 |
| | 415026 |
| STINGER- | 570000 |
| STINGER/PLATE- | 570010 |

MEGA STEP

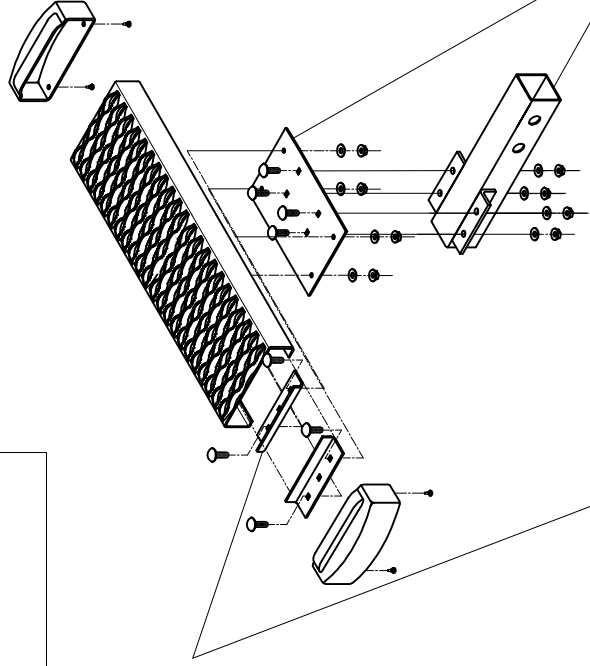


STINGER-PKG (570000)



OMEGA STEP BLACK/SILVER

GRIP STEP



STINGER-PKG (570010)

REV B 30JUN15
 REV A 10JUL09
 551659 SHEET 1 11MAY09

