

## Level of Difficulty

### Easy

Installation difficulty levels are based on time and effort involved and may vary depending on the installer level of expertise, condition of the vehicle and proper tools and equipment.

## Parts List

Item	Qty	Description
1	4	Parking sensor plate
2	8	Expansion nut, plastic
3	8	Self-tapping screw, 1/4"
4	6	Cable tie
5	2	Harness, short
6	2	Harness, long
7	4	Locking hole plug

## Tools Required

Ratchet	Socket, 3/8"
---------	--------------

## Product Photo



## NOTICE

Visit [www.luvernetruck.com](http://www.luvernetruck.com) for a full-color copy of this instruction manual, as well as helpful videos, guides and much more!

Before you begin installation, read all instructions thoroughly.

Proper tools will improve the quality of installation and reduce the time required.

Periodic inspection of your product should be performed to ensure all hardware and / or components remain secure.

To help prevent damage to the product or vehicle, refer to the specified torque specifications when securing hardware during the installation process.

## Maintenance

Mild automotive detergent may be used to clean the product. Do not use dish detergent, abrasive cleaners, abrasive pads, wire brushes or other similar products that may damage the finish.

## Product Registration and Warranty

LUVERNE stands behind our products with industry-leading warranties. To get copies of the product warranties, register your purchase or provide feedback, visit: [warranty.curtgroup.com/surveys](http://warranty.curtgroup.com/surveys)

## Step 1

**Note:** Refer to the instructions included with your impact bumper brackets for removal of the OEM bumper.

With the OEM bumper removed, remove the parking sensor wiring harness and the sensors from the plastic bumper cover.

**Note:** Keep a note of the location and orientation of each parking sensor as they are removed. They will be installed in the same locations.

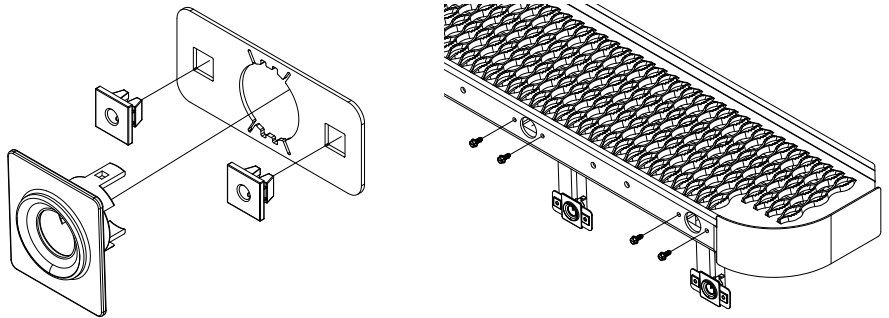
Using a utility knife, cut along the dotted area of the parking sensor bezel and remove the bezels from the bumper cover.



## Step 2

Insert two plastic expansion nuts into the sensor relocation plate and place the relocation plate over the back of the sensor bezel removed in Step 1. With the impact bumper installed on the vehicle, insert the relocation plate through the access hole on the bottom of the bumper and secure with two self-tapping screws.

Insert the parking sensors back into the sensor bezels now installed into the Impact Bumper.



## Step 3

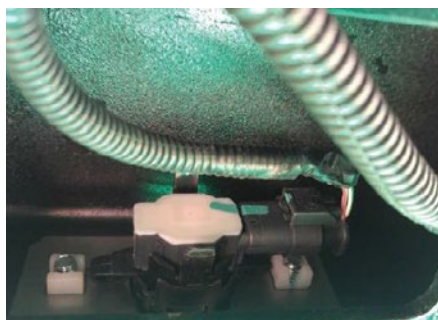
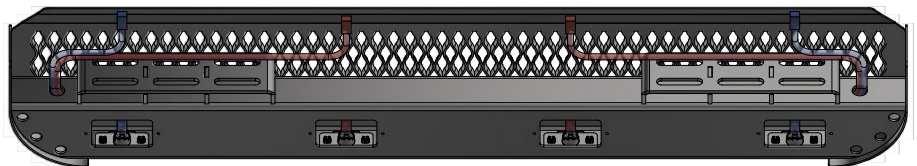
Connect the wire harness extensions to the factory harness. Connect the long extension harnesses to the center two connectors, and the shorter extensions to the outer two connectors.

Route one long and one short extension through each access hole on the back of the impact bumper and connect the harnesses to the sensors installed in Step 2. Connect the long extensions to the center two sensors, and the short extensions to the outer two sensors.

Check that all connections are tight and use the provided cable ties to secure the wiring harness.

To protect your investment, see the 'Notes and Maintenance' section on page one.

Congratulations on the installation of your new impact bumper sensor relocation kit.



## Step 4

Using a utility knife, slightly enlarge the holes left in the factory bumper from step 1 and insert the locking hole plugs.