

This is the first of two manuals required to complete this installation. The second manual is included with your Impact™ rear bumper guard.

Level of Difficulty

Moderate

Installation difficulty levels are based on time and effort involved and may vary depending on the installer level of expertise, condition of the vehicle and proper tools and equipment.

Parts List

Qty	Description
1	Mounting bracket, driver / left
1	Mounting bracket, passenger / right
2	Hex bolt, 7/16"
4	Flat washer, 7/16"
2	Nylock nut, 7/16"
4	Hex bolt, M10
4	Flat washer, M10
4	Lock washer, M10

Tools Required

Ratchet	Socket set
Torque wrench	Wrench set

Torque Specifications

M10 bolt	18 ft-lbs.
7/16" bolt	37 ft-lbs.

Use above torque setting unless otherwise noted

Product Photo



NOTICE

Visit www.luvernetruck.com for a full-color copy of this instruction manual, as well as helpful videos, guides and much more!

Before you begin installation, read all instructions thoroughly.

Proper tools will improve the quality of installation and reduce the time required.

Shock assemblies need to be greased before use. Inspect and grease shock assemblies periodically to ensure smooth and quiet operation.

Periodic inspection of your product should be performed to ensure all hardware and / or components remain secure.

To help prevent damage to the product or vehicle, refer to the specified torque specifications when securing hardware during the installation process.

Maintenance

Mild automotive detergent may be used to clean the product. Do not use dish detergent, abrasive cleaners, abrasive pads, wire brushes or other similar products that may damage the finish.

Product Registration and Warranty

LUVERNE stands behind our products with industry-leading warranties. To get copies of the product warranties, register your purchase or provide feedback, visit: warranty.curtgroup.com/surveys

Step 1

Note: Impact bumper is not compatible with the OEM receiver hitch or accessory rear bumper step. If installing on a van equipped with either of these options they must be removed at this time.

Locate and remove the four screws along the top edge of bumper cover and the four screws on the bottom side of the bumper cover.

Remove the bumper cover from the vehicle.



Step 2

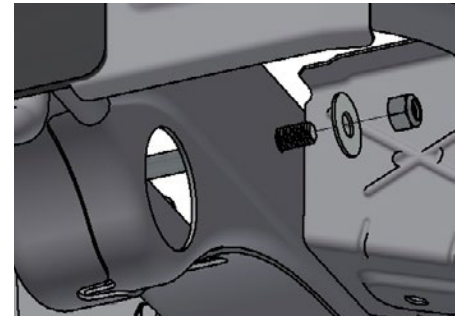
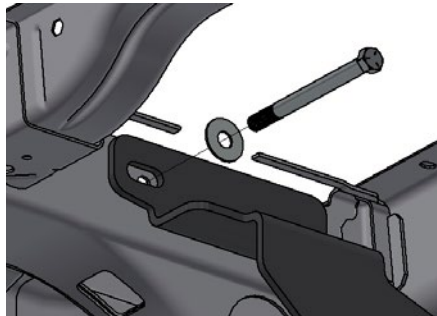
Remove the two bolts and nut from each side of the vehicle bumper. Remove the bumper structure from the vehicle.



Step 3

Loosely secure the rear of the passenger-side bracket to the frame using a 7/16" hex bolt, flat washer and nylock nut. Do not fully tighten at this time.

Repeat for the driver-side bracket.

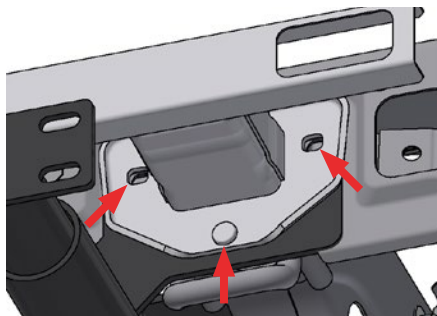


Step 4

Re-attach the vehicle bumper structure over the mounting bracket using the original hardware removed in step 2.

Note: Longer hardware may be needed. M10 bolts, washers and lock washers have been provided as original hardware replacements.

Tighten all hardware to the torque specifications listed on page one, beginning with the 7/16" bolts followed by the original hardware.



Step 5

Re-attach the plastic bumper cover with the hardware from Step 1.

Use the hardware provided with your Impact™ rear bumper step to attach the bumper step to the brackets.

NOTICE

To complete the installation, refer to the manual included with your Impact™ rear bumper step.

