

INSTALLATION INSTRUCTIONS AND PARTS LIST

UNIVERSAL BED RAIL WITH TIE DOWNS:

516070 70" BLACK ANODIZED / **518070** 70" CHROME PLATED

516080 80" BLACK ANODIZED / **518080** 80" CHROME PLATED

1. Read instructions completely and check to make sure that all required parts are on hand before starting the installation. See **fig. 1**

2. **ATTACH THE ALUMINUM BASE TO THE TRUCK:**
 - 2.1 If the truck has plastic bed caps it will be necessary to cut these out so that the stake pockets are accessible. **BE CAREFUL NOT TO CUT THE OPENING ANY LARGER THAN THE BLACK BASE WILL COVER.**
 - 2.2 The stake pockets on the trucks are various sizes, so we have supplied (2) different size mounting plates. Please take some time to determine which mounting plate will work for your application (item #3 or item #4). **YOU WILL NOT USE BOTH PLATES IN EACH STAKE POCKET.** However you may use a large plate in one pocket, and a small plate in the opposite pocket. See **fig 2.**
 - 2.3 Once you have determined which mounting plates to use, please assemble the 5/16-18 multi thread u-nut (item #5) to the mounting plates (item #3 or item #4) as shown in **fig 2.**
 - 2.4 Place the 5/16-18 x 3-1/4" Button head screw (item #6) into the black aluminum base (item #2). And start the bolt into the multi thread u-nut. Do not tighten down.
 - 2.5 Snake the retainer plate into the front stake pocket so that the top edges are catching on the underside of the bed box. While applying upward pressure, use a hex wrench to tighten down the button head screw. Keeping the base in line with the back stake pocket. Snug down at this time.
 - 2.6 Repeat for the rear stake pocket. Use a bed rail to make sure the two bases line up. The **Maximum** overall dimension at the top of the black bases is 76" or 65". See **fig 2.**
 - 2.7 **TIGHTEN DOWN.**
 - 2.8 Repeat 2.1 through 2.7 for the opposite side.

3. **ASSEMBLE U-BOLT AND THE BED RAIL ASSEMBLY:**
 - 3.1 Assemble the u-bolts (item #7) with the serrated flange nuts (item #8), and square nuts (item #9) as shown in **fig 3.** Make sure there is a gap between the (2) nuts.
 - 3.2 Load each bed rail with the appropriate number of square headed nuts (item #9) and U-bolt assemblies as shown in **fig 3.** Make sure that you place (2) square nuts in front of the forward u-bolt assembly, and (2) square nuts behind the back U-bolt Assembly.
 - 3.3 Attach the Plastic End Caps (item #10) to the Bed Rail by using the #8 x 1/2" self drilling screw (item #11). Drill through the thin blade into the recessed slot of the bed rail.
 - 3.4 Repeat 3.1 through 3.3 for the opposite side.

4. **ATTACH THE BED RAIL ASSEMBLY TO THE BLACK ALUMINUM BASE:**
 - 4.1 Lay the bed rail assembly on top of the aluminum bases (item #2). Tip the rail up slightly on the side and line up the square nuts with the holes in the base, and lay back down.
 - 4.2 Using the 3/8-16 x 3/4" hex screw, (item #12) attach the base to the bed rail. Start all the bolts before tightening them down as shown in **fig. 4.**
 - 4.3 After all the bolts have been started do some final adjustment fore and aft centering the rail on the pickup box and tighten down the bolts.
 - 4.4 Repeat 4.1 through 4.3 for the opposite side.



1200 E. Birch St.

Brandon, SD 57005

REV A 06OCT11
510078 SHEET 1 of 4 10MAY11

SERVICE PARTS LIST

ITEM	PART NO.	QTY	DESCRIPTION
1	108692	2	66" ALUMINUM BED RAIL EXTRUSION, BLACK 516070
1	108695	2	66" ALUMINUM BED RAIL EXTRUSION, CHROME 518070
1	108693	2	77" ALUMINUM BED RAIL EXTRUSION, BLACK 516080
1	108696	2	77" ALUMINUM BED RAIL EXTRUSION, CHROME 518080
2	510076	4	BASE-ALUMINUM, BLACK
3	510074	4	PLATE-MTG, GALV. LARGE, BED RAIL
4	510075	4	PLATE-MTG, GALV. SMALL, BED RAIL
5	105541	4	NUT-MULTI THREAD, 5/16-18, BLACK
6	107867	4	SCR-BTN HEAD, 5/16-18 X 3.25, ZP WITH PATCH
7	510089	4	U-BOLT, 3/8-16 X 1.38,SST,BZP
8	106995	8	NUT-SERR FLANGE, HEX, 3/8-16,SST,BZP
9	107865	16	NUT-SQUARE, 3/8-16,SST,BZP
10	108699	4	END CAP-PLASTIC, BLACK
11	107958	4	SCR-TEK, #8 X 1/2",SST,BZP
12	107866	8	SCR-HEX, 3/8-16 X 3/4",SST,BZP
13	107871	4	GASKET-FOAM, 1/16"X2.19X3.94,XLPE



(A LIVERNE Company)

1200 E. Birch St.

Brandon, SD 57005

REV A 06OCT11
510078 SHEET 2 of 4 10MAY11

SERVICE PARTS LIST

-MODEL NO.-
516070, 516080
518070, 518080

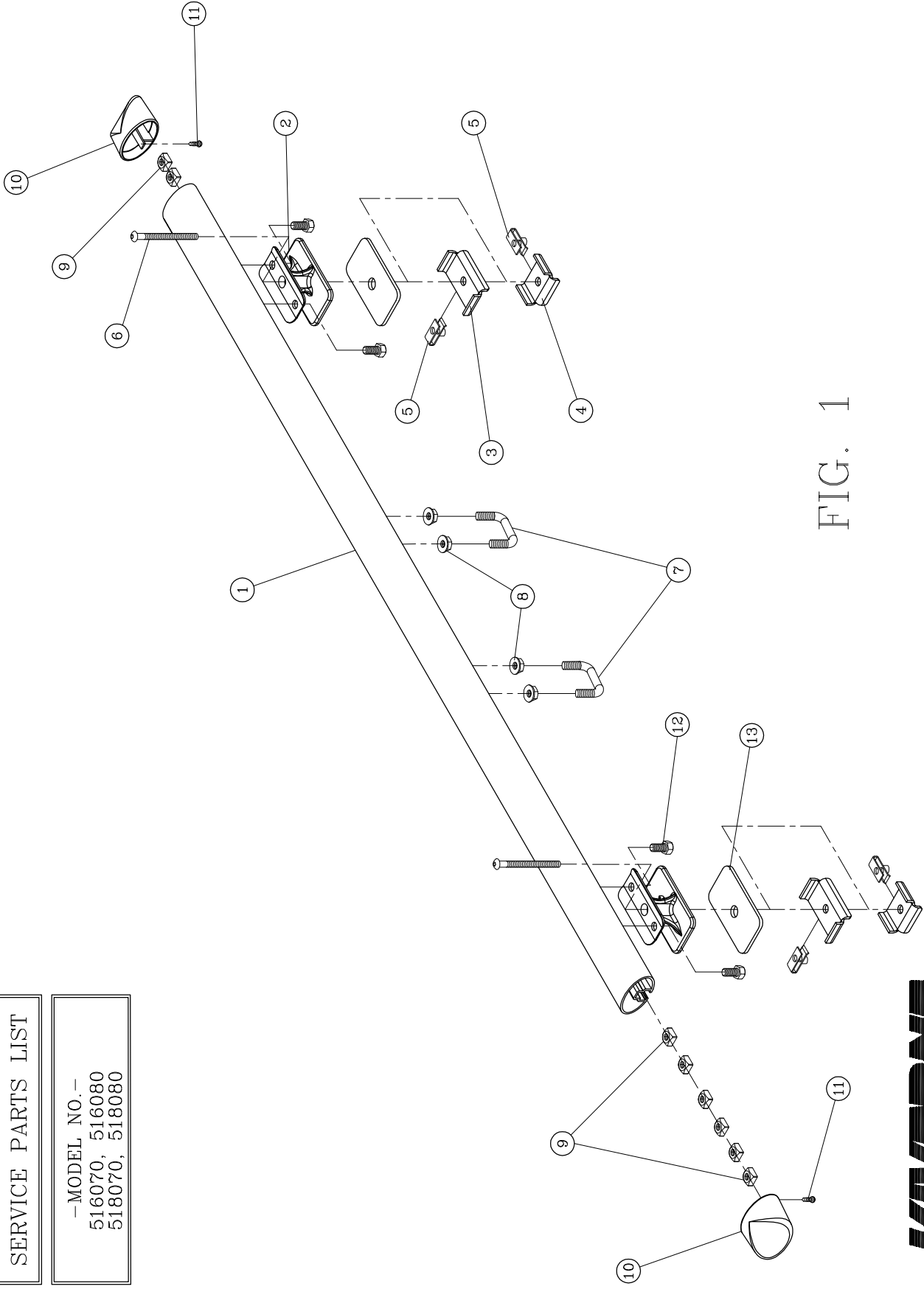


FIG. 1

SERVICE PARTS LIST

-MODEL NO. -
516070, 516080
518070, 518080

65" MAX. FOR 516070 & 518070
76" MAX. FOR 516080 & 518080

USED FOR LARGE
STAKE POCKETS

USED FOR SMALL
STAKE POCKETS

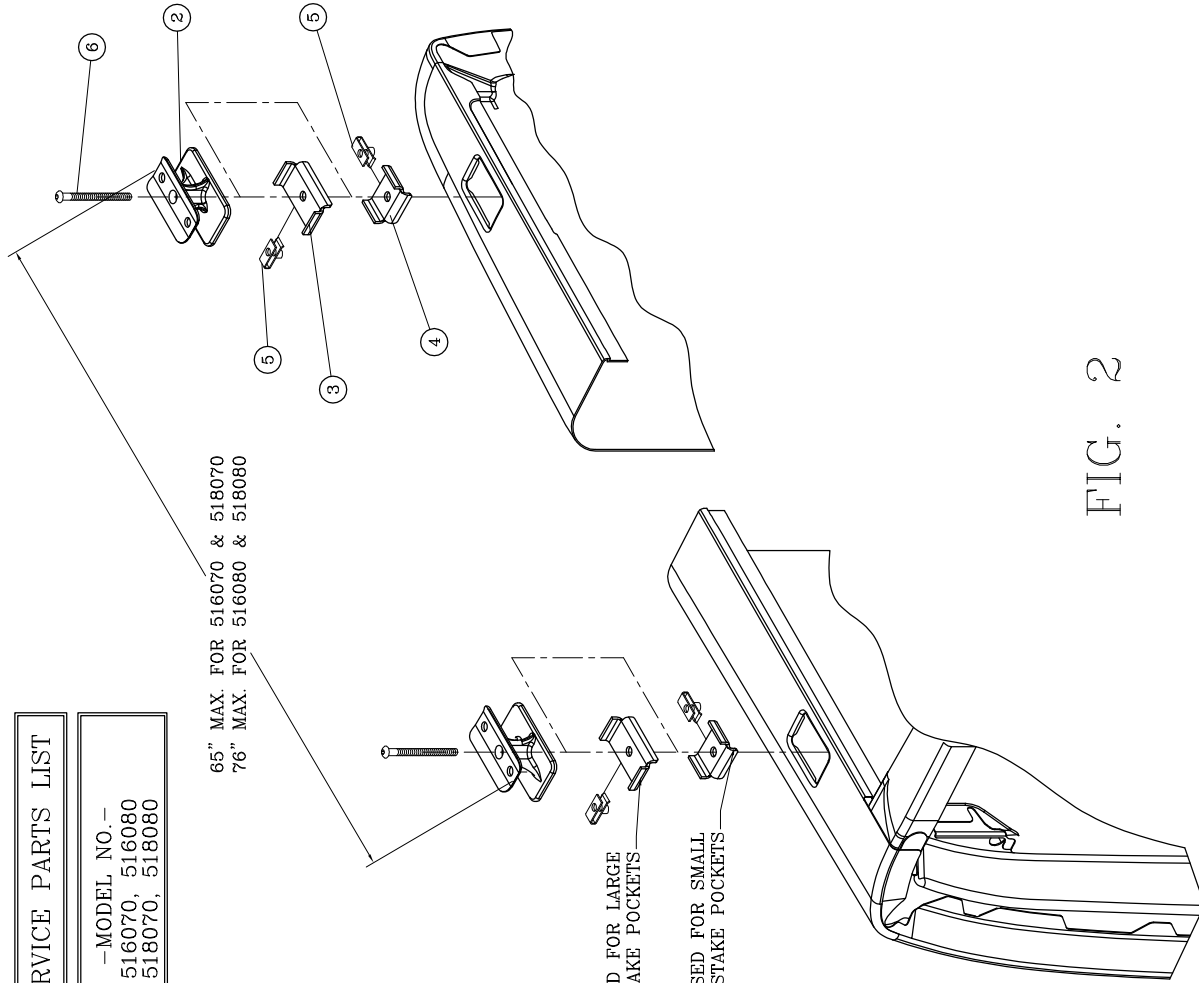


FIG. 2

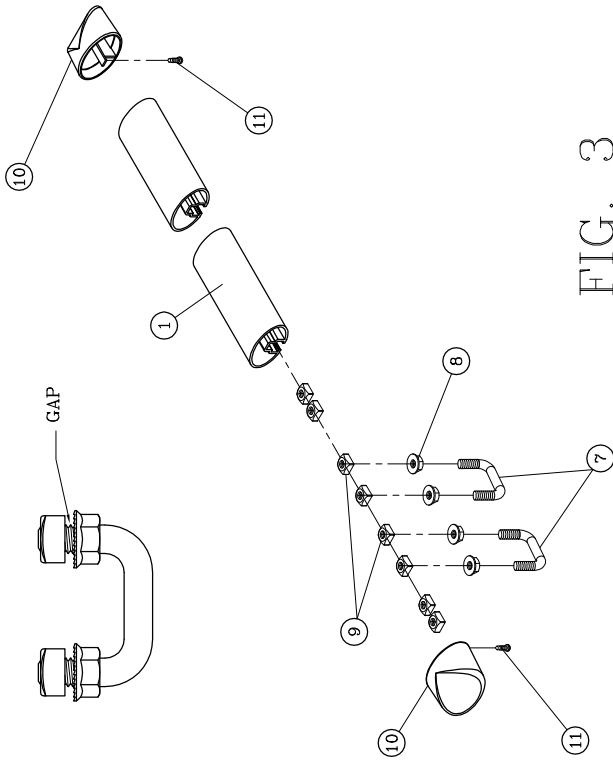


FIG. 3

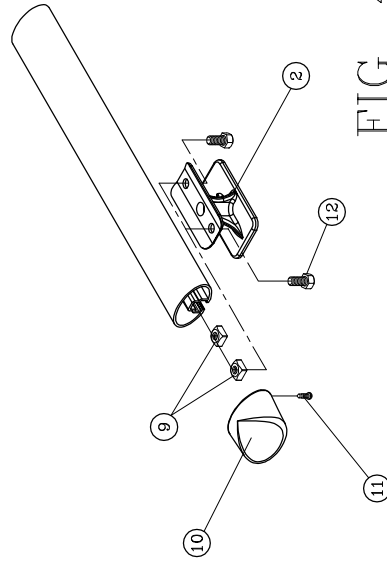


FIG. 4

LOVERNE
TRUCK EQUIPMENT

(A LOVERNE COMPANY)

1200 E. Birch St.

Granville, OH 57065

REV A 06OCT11

510078 SHEET 4 OF 4 10MAY11