

## INSTALLATION INSTRUCTIONS AND PARTS LIST

VEHICLE APPLICATION: **MODEL 509923 (12.00" X 23.00") FRONT OR REAR SPLASH GUARDS ON:**  
1999 AND NEWER FORD SUPER DUTY SERIES SINGLE WHEEL TRUCKS

1. READ INSTRUCTIONS COMPLETELY AND CHECK TO MAKE SURE THAT ALL REQUIRED PARTS (LISTED ON SERVICE PARTS LIST) ARE ON HAND BEFORE STARTING THE INSTALLATION.
2. PEEL AWAY THE VINYL COVERING AND CLEAN THE STAINLESS STEEL SPLASH GUARD INSERTS TO REMOVE ANY VINYL COVERING RESIDUE. (A GOOD GLASS CLEANER IS SUGGESTED).
3. PREPARE THE SPLASH GUARDS AND VEHICLE FOR SPLASH GUARD INSTALLATION AS FOLLOWS:
  - 3.1. FORM THE TOP OF THE SPLASH GUARD ASSEMBLY (ITEM #1 THRU #6) TO MATCH THE CONTOUR OF THE WHEEL WELL.
  - 3.2. AT THE FRONT: (1) - INSTALL A U-TYPE SPEED NUT (ITEM #11) IN THE TOP HOLE IN THE WHEEL WELL FLANGE. (THREAD ON SPEED NUT MUST BE ON THE BACK SIDE OF THE FLANGE). (2) - REMOVE THE FACTORY WHEEL WELL LINER RETAINER SCREW. (THIS REQUIRES A 7/32" WRENCH AND THIS SCREW IS REUSED). (3) - REMOVE THE FACTORY CHRISTMAS TREE FASTENER FROM THE FRONT HOLE IN THE BOTTOM OF THE ROCKER PANEL. (NOT ALL VEHICLES HAVE A CHRISTMAS TREE FASTENER IN THIS HOLE).
  - 3.3. ATTACH THE MOUNTING BRACKETS (ITEM #7) TO THE SPLASH GUARDS AS SHOWN.

### **MOUNTING 509923 SPLASH GUARDS ON THE FRONT: (SEE SHEET #2)**

4. INSTALL THE SPLASH GUARDS AS FOLLOWS:
  - 4.1. POSITION THE SPLASH GUARD AGAINST THE WHEEL WELL FLANGE SO THAT THE TOP TWO HOLES IN THE SPLASH GUARD LINE UP WITH THE HOLES IN THE WHEEL WELL FLANGE. INSTALL A HEX HEAD SEMS SCREW (ITEM #10) IN THE TOP HOLE AND REINSTALL THE FACTORY WHEEL WELL LINER RETAINER SCREW IN THE SECOND HOLE. (LEAVE THESE FASTENERS FINGER TIGHT).
  - 4.2. INSTALL A HEX HEAD THREAD FORMING SCREW (ITEM #12) UP THRU THE HOLE IN THE BRACKET AND INTO THE FRONT HOLE IN THE BOTTOM OF THE ROCKER PANEL.
  - 4.3. MOVE THE SPLASH GUARDS IN OR OUT AS DESIRED, INSURE THE SPLASH GUARD IS LEVEL AND TIGHTEN ALL FASTENERS.

### **MOUNTING 509923 SPLASH GUARDS ON THE REAR: (SEE SHEET #3)**

5. INSTALL THE SPLASH GUARDS AS FOLLOWS:
  - 5.1. POSITION THE SPLASH GUARD AGAINST THE WHEEL WELL FLANGE SO THAT THE SECOND HOLE FROM THE TOP LINES UP WITH THE HOLE IN THE WHEEL WELL FLANGE. INSTALL A #10-24 X 1.00" TRUSS HEAD SCREW (ITEM #10), #10 FLAT WASHER (ITEM #12) AND #10-24 SERRATED FLANGE NUT (ITEM #11) AS SHOWN. (LEAVE THESE FASTENERS FINGER TIGHT).
  - 5.2. MOVE THE SPLASH GUARDS IN OR OUT AS DESIRED, LEVEL THE SPLASH GUARDS, TIGHTEN THE TOP FASTENERS AND CLAMP THE TOP OF THE MOUNTING BRACKET TO THE INNER WHEEL WELL PINCH WELD.
  - 5.3. USING THE THIRD HOLE DOWN FROM THE TOP AS A PILOT, DRILL A 1/4" DIA. HOLE THRU THE CENTER OF THE WHEEL WELL FLANGE. INSTALL A #10-24 X 1.00" TRUSS HEAD SCREW, #10 FLAT WASHER AND #10-24 SERRATED FLANGE NUT AS SHOWN. INSURE THE SPLASH GUARD IS LEVEL AND TIGHTEN THE FASTENERS.
  - 5.4. USING THE HOLE IN THE BRACKET AS A PILOT, DRILL A 3/16" DIA HOLE THRU THE WHEEL WELL PINCH WELD AND FASTEN WITH A 1/4" X 3/4" THREAD FORMING SCREW (ITEM #13).
  - 5.5. INSTALL A 1/4" X 1/2" CARRIAGE BOLT (ITEM #8) AND 1/4" FLANGE NUT (ITEM #9), TO FILL THE BOTTOM SLOTTED HOLE, AS SHOWN.

SERVICE PARTS LIST

MODEL NO: 509923

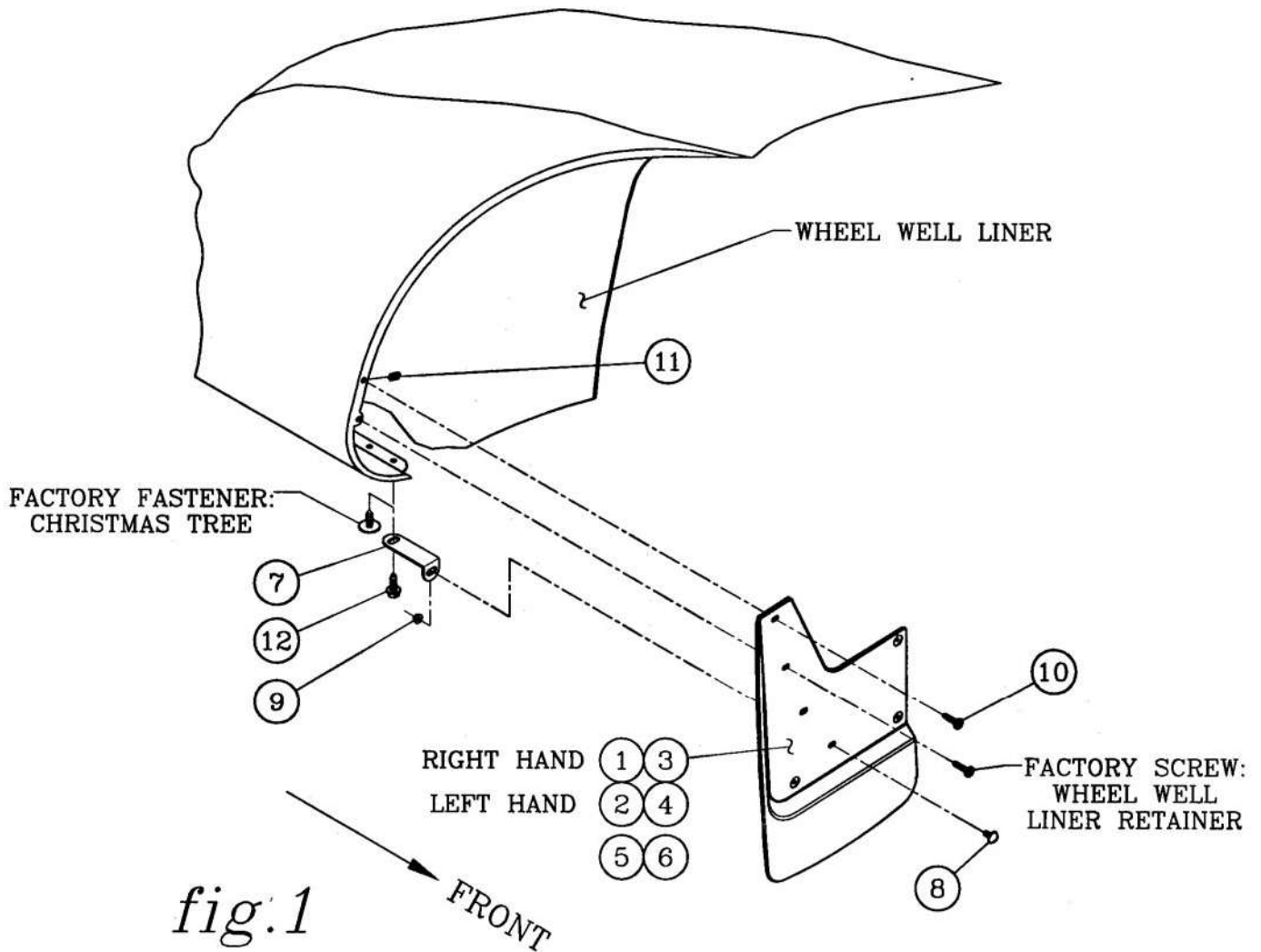


fig.1

FRONT INSTALLATION  
RIGHT (PASSENGER) SIDE SHOWN

ITEM	PART NO.	QTY	DESCRIPTION
1	549946	1	SPLASH GUARD-MOLDED,12 X 23,FORD SD,RH
2	549947	1	SPLASH GUARD-MOLDED,12 X 23,FORD SD,LH
3	549944	1	INSERT-SPLASH GUARD,SST,FORD SD,RH
4	549945	1	INSERT-SPLASH GUARD,SST,FORD SD,LH
5	103146	4	RIVET-SST,3/16 X 3/8
6	105511	4	WASHER-FLAT,SST,.203 X .625 X .062
7	549948	2	BRACKET -MTG,SPL GD,90°,1.13 X 3.00,2 HOLE
8	105519	2	BOLT-CARRIAGE,SST,1/4-20 X 1/2"
9	102366	2	NUT-HEX,SERRATED FLG,SST,1/4-20
10	105514	2	SCREW-SEMS,HEX HD,M4.2-1.41 X 30mm
11	105518	2	NUT-SPEED,U-TYPE,SGL THD,#8,BLK PHOS PLT
12	104272	2	SCREW-HEX HD,THD FORMING,SST,AB,5/16 X 3/4"

SERVICE PARTS LIST

MODEL NO. - 509923

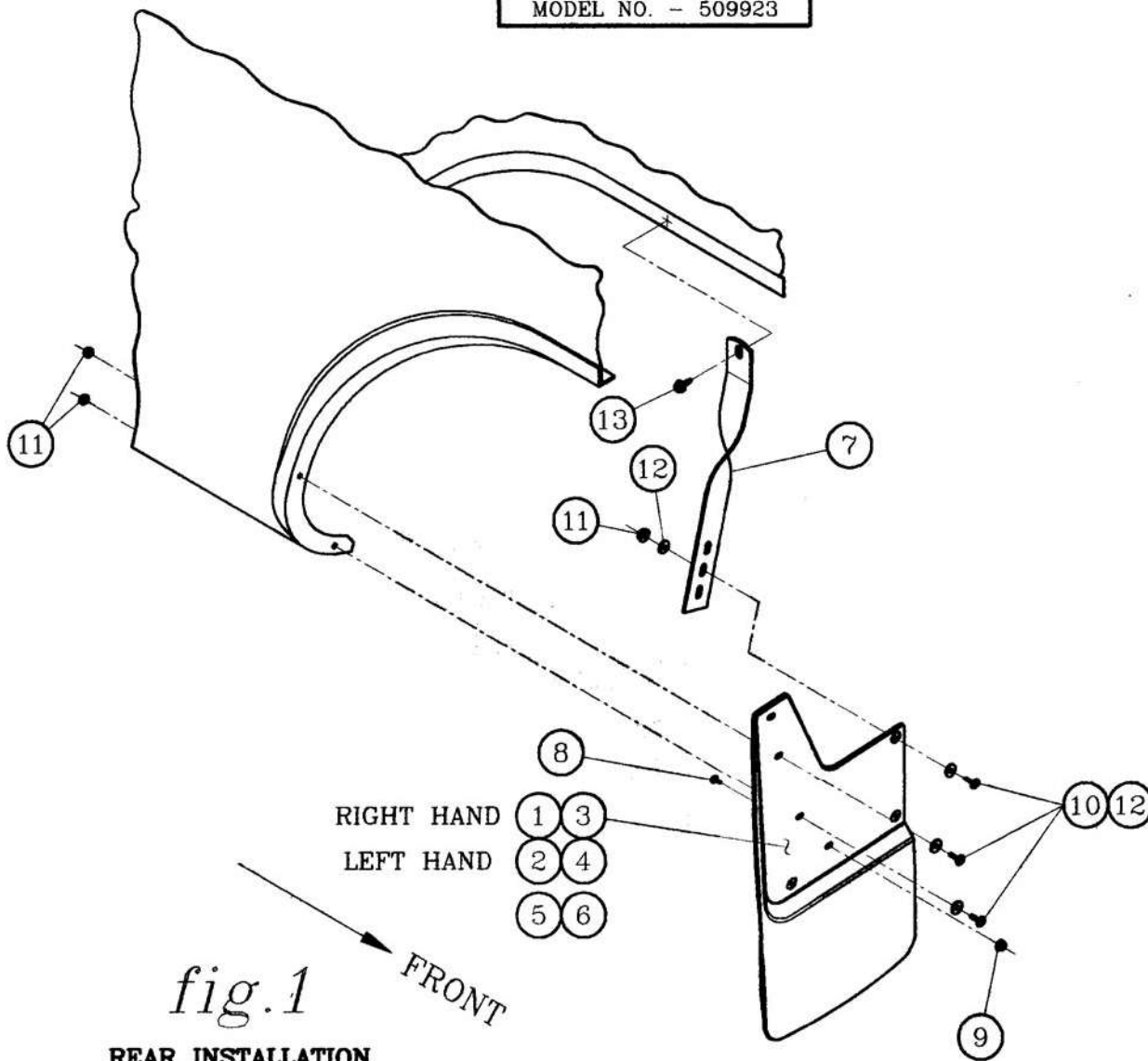


fig.1

RIGHT HAND

LEFT HAND

FRONT

REAR INSTALLATION

RIGHT (PASSENGER) SIDE SHOWN

ITEM	PART NO.	QTY	DESCRIPTION
1	549946	1	SPLASH GUARD-MOLDED,12 X 23,FORD SD,RH
2	549947	1	SPLASH GUARD-MOLDED,12 X 23,FORD SD,LH
3	549944	1	INSERT-SPLASH GUARD, SST, FORD SD, RH
4	549945	1	INSERT-SPLASH GUARD, SST, FORD SD, LH
5	103146	4	RIVET- SST, 3/16 X 3/8
6	105511	4	WASHER- FLAT, SST, .203 X .625 X .062
7	544060	2	BRACKET - MOUNTING
8	105519	2	BOLT-CARRIAGE,SST,1/4-20 X 1/2"
9	102366	2	NUT-HEX,SERRATED FLG,SST,1/4-20
10	105516	6	SCR- TRUSS HD, XREC, SST, #10-24 X 1.00"
11	104261	6	NUT- HEX, SERR FLG, SST, #10-24
12	105511	8	WASHER- FLAT, SST, .203 X .625 X .062
13	102694	2	SCREW- TF, AB, SST, 1/4 X 3/4