

INSTALLATION INSTRUCTIONS AND PARTS LIST

VEHICLE APPLICATION: MODEL 501220 (12.00" X 20.00") FRONT OR REAR SPLASH GUARDS ON:
UNIVERSAL APPLICATIONS FOR SINGLE WHEEL VEHICLES

1. READ INSTRUCTIONS COMPLETELY AND CHECK TO MAKE SURE THAT ALL REQUIRED PARTS (LISTED ON SERVICE PARTS LIST) ARE ON HAND BEFORE STARTING THE INSTALLATION.
2. PEEL AWAY THE PROTECTIVE VINYL COVERING AND CLEAN THE STAINLESS STEEL SPLASH GUARD INSERTS TO REMOVE ANY VINYL COVERING RESIDUE. (A GOOD GLASS CLEANER IS SUGGESTED).
3. PREPARE THE SPLASH GUARDS FOR INSTALLATION AS FOLLOWS:
 - 3.1. FORM THE TOP OF THE SPLASH GUARD TO MATCH THE CONTOUR OF THE WHEEL WELL.

MOUNTING 501220 SPLASH GUARDS ON THE FRONT: (SEE SHEET #2)

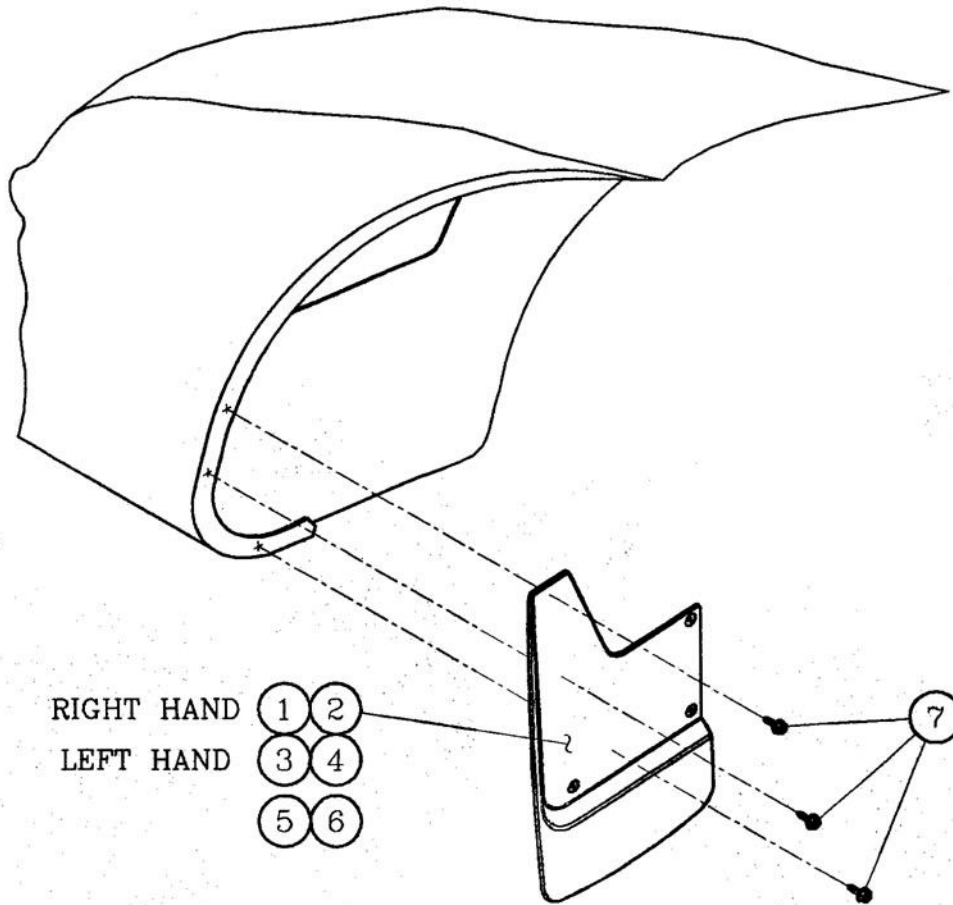
4. INSTALL THE SPLASH GUARDS AS FOLLOWS:
 - 4.1. POSITION THE SPLASH GUARD AGAINST THE WHEEL WELL FLANGE. MOVE THE SPLASH GUARD IN OR OUT AS DESIRED, LEVEL THE SPLASH GUARD AND CLAMP THE GUARD TO THE WHEEL WELL FLANGE.
 - 4.2. FASTEN THE SPLASH GUARD TO THE WHEEL WELL FLANGE BY DRILLING THREE 3/16" DIA. HOLES THRU THE SPLASH GUARD AND THE CENTER OF THE WHEEL WELL FLANGE. START THE HOLES APPROX. 3/4" FROM THE TOP AND SPACE EQUALLY. FASTEN WITH 1/4 X 3/4 HEX HEAD THREAD FORMING STAINLESS STEEL SCREWS (ITEM #7).

MOUNTING 501220 SPLASH GUARDS ON THE REAR: (SEE SHEET #3)

5. INSTALL THE SPLASH GUARDS AS FOLLOWS:
 - 5.1. ATTACH THE MOUNTING BRACKETS (ITEM #8) TO THE SPLASH GUARDS. USE #10 X 3/4" TRUSS HEAD SCREWS (ITEM #9), #10 FLAT WASHERS (ITEM #11) AND #10 SERRATED FLANGE NUTS (ITEM #10). (USE THE HOLE IN THE BRACKET THAT BEST LOCATES THE SPLASH GUARD IN THE PREFERRED LOCATION).
 - 5.2. POSITION THE SPLASH GUARD AGAINST THE WHEEL WELL FLANGE. MOVE THE SPLASH GUARD IN OR OUT AS DESIRED, LEVEL THE SPLASH GUARD, CLAMP THE SPLASH GUARD TO THE WHEEL WELL FLANGE AND THE TOP OF THE MOUNTING BRACKET TO THE INNER WHEEL WELL FLANGE.
 - 5.3. FASTEN THE SPLASH GUARD TO THE WHEEL WELL FLANGE BY DRILLING THREE 3/16" DIA. HOLES THRU THE SPLASH GUARD AND THE CENTER OF THE WHEEL WELL FLANGE. START THE HOLES APPROX. 3/4" FROM THE TOP AND SPACE EQUALLY. FASTEN WITH 1/4 X 3/4 HEX HEAD THREAD FORMING STAINLESS STEEL SCREWS (ITEM #7).
 - 5.4. USING THE HOLE IN THE MOUNTING BRACKET AS A PILOT, DRILL A 3/16" DIA HOLE THRU THE WHEEL WELL PINCH WELD FLANGE AND FASTEN WITH A 1/4" X 3/4" HEX HEAD THREAD FORMING SCREW (ITEM #7).

SERVICE PARTS LIST

MODEL NO. - 501220



RIGHT HAND
LEFT HAND

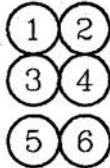


fig.1

FRONT

FRONT INSTALLATION

RIGHT (PASSENGER) SIDE SHOWN

ITEM	PART NO.	QTY	DESCRIPTION
1	105512	1	SPLASH GUARD- MOLDED, 12 X 20, RH
2	105538	1	INSERT- SPLASH GUARD, SST, RH
3	105513	1	SPLASH GUARD- MOLDED, 12 X 20, LH
4	105539	1	INSERT- SPLASH GUARD, SST, LH
5	103146	4	RIVET- SST, 3/16 X 3/8
6	105511	4	WASHER- FLAT, SST, .203 X .625 X .062
7	102694	6	SCREW- THD FORMING, AB, SST, 1/4 X 3/4

SERVICE PARTS LIST

MODEL NO. - 501220

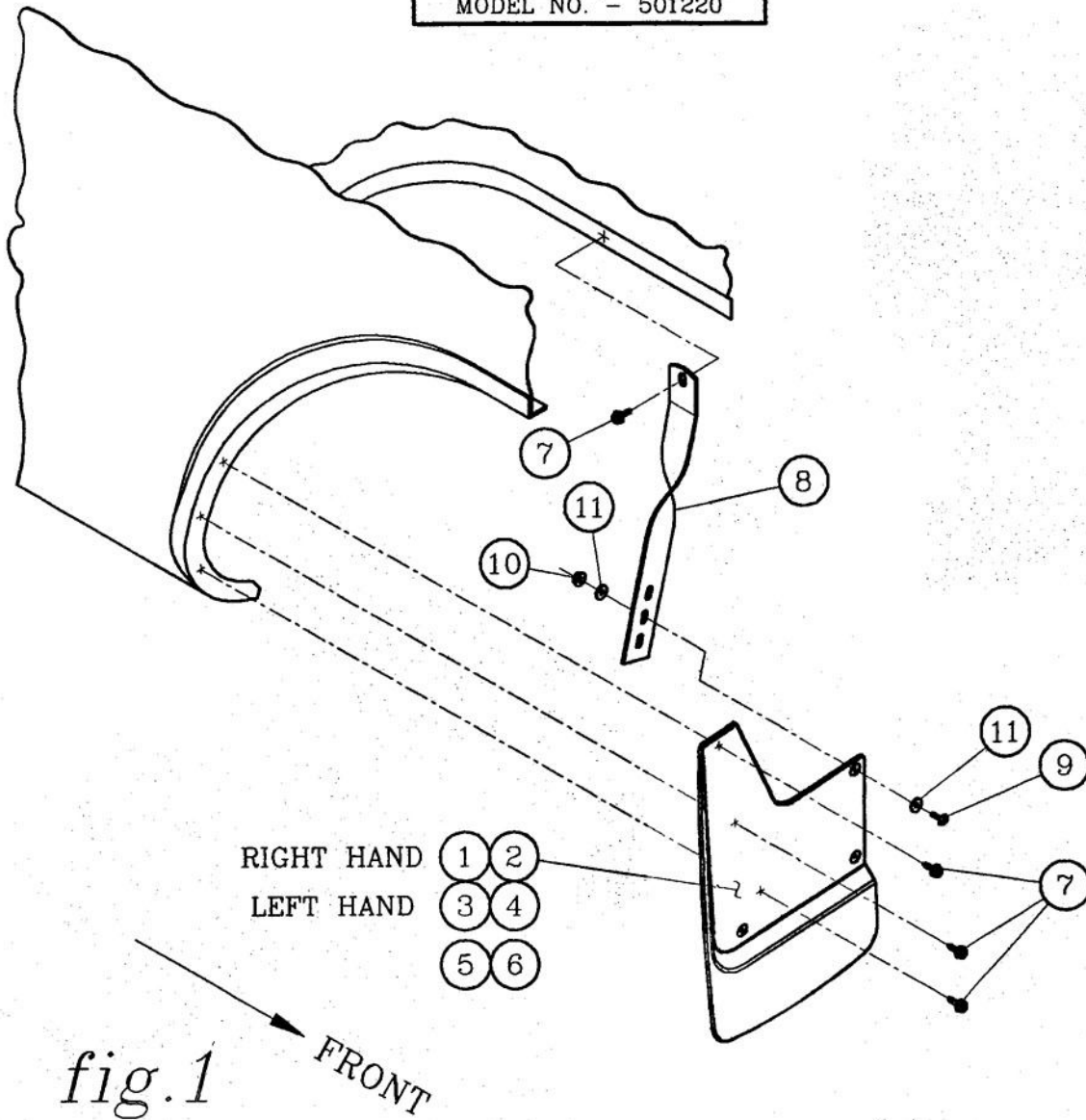


fig.1

FRONT

REAR INSTALLATION

RIGHT (PASSENGER) SIDE SHOWN

ITEM	PART NO.	QTY	DESCRIPTION
1	105512	1	SPLASH GUARD- MOLDED, 12 X 20, RH
2	105538	1	INSERT- SPLASH GUARD, SST, RH
3	105513	1	SPLASH GUARD- MOLDED, 12 X 20, LH
4	105539	1	INSERT-SPLASH GUARD, SST, GM, LH
5	103146	4	RIVET- SST, 3/16 X 3/8
6	105511	4	WASHER- FLAT, SST, .203 X .625 X .062
7	102694	8	SCREW- TF, AB, SST, 1/4 X 3/4
8	544060	2	BRACKET - MOUNTING
9	103775	2	BOLT- TRUSS HD, XREC, SST, #10-24 X 3/4
10	104261	2	NUT- HEX, SERR FLG, SST, #10-24
11	105511	4	WASHER- FLAT, SST, .203 X .625 X .062