

## INSTALLATION INSTRUCTIONS AND PARTS LIST

VEHICLE APPLICATION: MODEL 500230 (12.00" X 20.00") FRONT OR REAR AND 500233

(12.00" X 23.00") REAR SPLASH GUARDS ON:

2002 AND NEWER DODGE RAM SERIES SINGLE WHEEL TRUCKS

1. READ INSTRUCTIONS COMPLETELY AND CHECK TO MAKE SURE THAT ALL REQUIRED PARTS (LISTED ON SERVICE PARTS LIST) ARE ON HAND BEFORE STARTING THE INSTALLATION.
2. PEEL AWAY THE PROTECTIVE VINYL COVERING AND CLEAN THE STAINLESS STEEL INSERTS TO REMOVE ANY VINYL COVERING RESIDUE. (A GOOD GLASS CLEANER IS SUGGESTED).
3. PREPARE THE SPLASH GUARDS FOR SPLASH GUARD INSTALLATION AS FOLLOWS:
  - 3.1. FORM THE TOP OF THE SPLASH GUARD TO MATCH THE CONTOUR OF THE WHEEL WELL.
  - 3.2. ON REAR APPLICATIONS, ATTACH THE MOUNTING BRACKETS (ITEM #7 & #8) TO THE SPLASH GUARDS AS SHOWN. USE 1/4" X 3/4" CARRIAGE BOLT (ITEM #9) AND 1/4-20 SERRATED FLANGE NUTS (ITEM #10).

### MOUNTING 500230 SPLASH GUARDS ON THE FRONT: (SEE SHEET #2)

4. INSTALL THE SPLASH GUARDS AS FOLLOWS:
  - 4.1. REMOVE THE FACTORY WHEEL WELL LINER RETAINER SCREW FROM THE FLANGE OF THE WHEEL WELL. (THIS FASTENER IS NOT REUSED). CLAMPING THE LINER TO THE WHEEL WELL FLANGE TO KEEP THE HOLES IN LINE MAY BE HELPFUL.
  - 4.2. POSITION THE SPLASH GUARD AGAINST THE WHEEL WELL FLANGE AND INSTALL A M4.8 X 25mm HEX HEAD SCREW (ITEM #11) THRU THE FORTH HOLE DOWN FROM THE TOP IN THE SPLASH GUARD AND INTO THE FACTORY FASTENER. (LEAVE THIS FASTENER FINGER TIGHT).
  - 4.3. MOVE THE SPLASH GUARD IN OR OUT AS DESIRED, LEVEL THE SPLASH GUARD (IT SHOULD BE ABOUT STRAIGHT WITH THE FRONT TIRE AND/OR MATCH THE REAR SPLASH GUARD) AND THEN TIGHTEN THE FACTORY FASTENER.
  - 4.4. USING THE TOP AND THIRD HOLE DOWN FROM THE TOP IN THE SPLASH GUARD AS PILOTS, DRILL 3/16" DIA. HOLES THRU THE CENTER OF THE WHEEL WELL FLANGE AND FASTEN WITH 1/4" X 3/4" STAINLESS STEEL HEX WASHER HEAD THREAD FORMING SCREWS (ITEM #7).
  - 4.5. USING THE HOLE ON THE TOP INBOARD EDGE OF THE SPLASH GUARD AS A PILOT, DRILL A 3/16" DIA HOLE THRU THE URETHANE WHEEL WELL LINER AND FASTEN WITH #10-24 X 1.00" TRUSS HEAD SCREWS (ITEM #8), #10 FLAT WASHERS (ITEM #10) AND #10 SERRATED FLANGE NUTS (ITEM #9).

### MOUNTING 500230 OR 500233 SPLASH GUARDS ON THE REAR: (SEE SHEET #3)

5. INSTALL THE SPLASH GUARDS AS FOLLOWS:
  - 5.1. REMOVE TWO FACTORY WHEEL WELL LINER RETAINER SCREWS FROM THE FLANGE OF THE WHEEL WELL. (THESE FASTENERS ARE NOT REUSED). CLAMPING THE LINER TO THE WHEEL WELL FLANGE TO KEEP THE HOLES IN LINE MAY BE HELPFUL.
  - 5.2. REMOVE THE HEX HEAD FACTORY FENDER BRACE BOLT FROM THE BOTTOM OF THE BOX ROCKER PANEL. THIS BOLT HAS A 10mm HEAD. (THIS FASTENER IS REUSED).
  - 5.3. POSITION THE SPLASH GUARD AGAINST THE WHEEL WELL FLANGE AND INSTALL M4.8 X 25mm HEX HEAD SCREWS (ITEM #11) THRU THE SECOND & FIFTH HOLES DOWN FROM THE TOP IN THE SPLASH GUARD AND INTO THE FACTORY FASTENERS. (LEAVE THESE FASTENERS FINGER TIGHT).
  - 5.4. REINSTALL THE FACTORY FENDER BRACE BOLT UP THRU THE HOLE IN THE MOUNTING BRACKET AS SHOWN. (LEAVE THIS FASTENER FINGER TIGHT).
  - 5.5. MOVE THE SPLASH GUARD IN OR OUT AS DESIRED, LEVEL THE SPLASH GUARD (IT SHOULD BE ABOUT STRAIGHT WITH THE REAR TIRE AND/OR MATCH THE FRONT SPLASH GUARD) AND THEN TIGHTEN ALL FASTENERS.

**LIVERNE**  
ISO9001 QS9000 CERTIFIED TRUCK  
EQUIPMENT  
1200 Birch Street  
Brandon, SD 57005  
INC.

REV A 31JAN05  
549951 SHEET 1 18DEC03

SERVICE PARTS LIST

2002 DODGE RAM 1500  
 MODEL NO. - 500230 & 500233

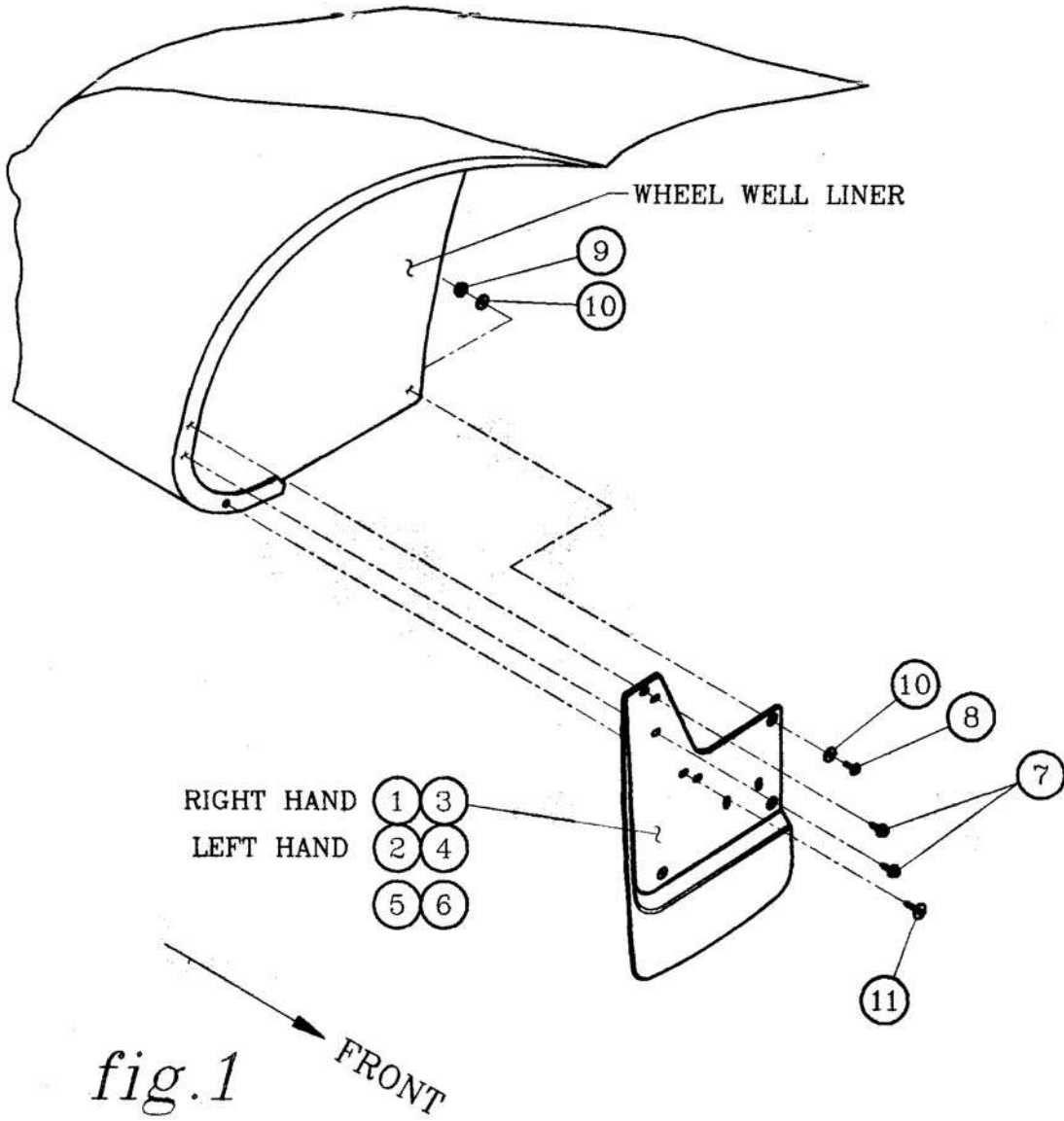


fig.1

FRONT

FRONT INSTALLATION

RIGHT (PASSENGER) SIDE SHOWN

ITEM	PART NO.	QTY	DESCRIPTION
1	549952	1	SPLASH GUARD-MOLDED,12 X 20,DODGE RAM,RH
2	549953	1	SPLASH GUARD-MOLDED,12 X 20,DODGE RAM,LH
3	549954	1	INSERT-SPLASH GUARD, SST, DODGE RAM, RH
4	549955	1	INSERT-SPLASH GUARD, SST, DODGE RAM, LH
5	103146	4	RIVET- SST, 3/16 X 3/8
6	105511	4	WASHER- FLAT, SST, .203 X .625 X .062
7	102694	4	SCREW- TF, AB, SST, 1/4 X 3/4
8	105516	2	SCR- TRUSS HD, XREC, SST, #10-24 X 1.00"
9	104261	2	NUT- HEX, SERR FLG, SST, #10-24
10	105511	4	WASHER- FLAT, SST, .203 X .625 X .062
11	106638	2	SCREW-HEX HD,TYPE B,M4.8 X 25mm,BLK PL

SERVICE PARTS LIST

2002 DODGE RAM 1500  
MODEL: 500230 & 500233

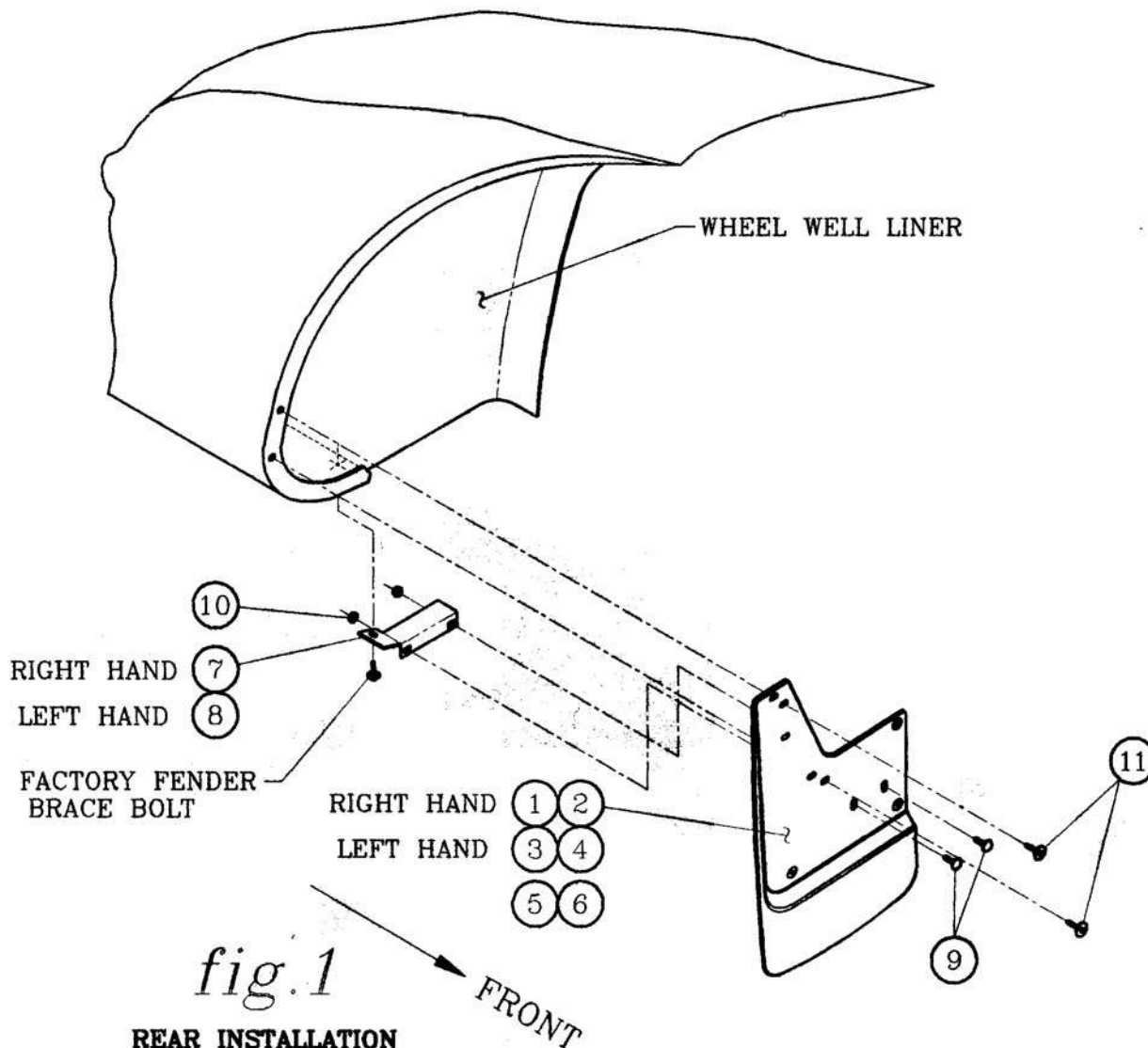


fig.1

REAR INSTALLATION

RIGHT (PASSENGER) SIDE SHOWN

ITEM	PART NO.	QTY	DESCRIPTION
1	549952	1	SPLASH GUARD-MOLDED,12 X 20,DODGE RAM,RH
1	549956	1	SPLASH GUARD-MOLDED,12 X 23,DODGE RAM,RH
2	549954	1	INSERT-SPLASH GUARD,SST,DODGE RAM,RH
3	549953	1	SPLASH GUARD-MOLDED,12 X 20,DODGE RAM,LH
3	549957	1	SPLASH GUARD-MOLDED,12 X 23,DODGE RAM,LH
4	549955	1	INSERT-SPLASH GUARD,SST,DODGE RAM,LH
5	103146	4	RIVET-SST,3/16 X 3/8
6	105511	4	WASHER-FLAT,SST,.203 X .625 X .062
7	550998	1	BRACKET -MTG,SPL GD,RH
8	550999	1	BRACKET -MTG,SPL GD,LH
9	100008	4	BOLT-CARRIAGE,SST,1/4-20 X 3/4"
10	102366	4	NUT-HEX,SERRATED FLG,SST,1/4-20
11	106638	4	SCREW-HEX HD,TYPE B,M4.8 X 25mm,BLK PL