

# INSTALLATION INSTRUCTIONS AND PARTS LIST

MODEL: 415254  
54" GRIP STEP  
UNIVERSAL APPLICATION

1. READ INSTRUCTIONS COMPLETELY AND CHECK TO MAKE SURE THAT ALL REQUIRED PARTS (LISTED ON SERVICE PARTS LIST) ARE ON HAND BEFORE STARTING THE INSTALLATION.
2. FOLLOW THE INSTRUCTIONS INCLUDED WITH THE SPECIFIC BRACKET PACKAGE THAT YOU ARE USING, TO MOUNT THE BRACKETS TO YOUR VEHICLE.
3. ATTACHING THE STEP TO THE BRACKETS.
  - 3.1 SLIDE THE END CAP (ITEM #5) OVER THE ENDS OF THE STEP (ITEM #1). USING THE SUPPLIED #8 X 1/2" SELF DRILLING TEK SCREW (ITEM #6). SCREW THE END CAPS TO THE BOTTOM OF THE STEP.
  - 3.2 SET THE STEP ON THE MOUNTING BRACKETS AND SLIDE THE (2) SUPPORT BRACES (ITEM #3) INSIDE THE CHANNEL OF THE STEP AND ATTACH THE FLAT SPACER (ITEM #2) TO THE BOTTOM OF THE STEP, ABOVE THE TOP OF THE BRACKET.
  - 3.3 USING THE SUPPLIED 5/16-18 X 1.0 CARRIAGE BOLT, WASHER, NUT (ITEMS # 4, 7, 8), ATTACH THE STEP ASSEMBLY, SUPPORT BRACKET, SPACER PLATE TO THE MOUNTING BRACKET.
  - 3.4 SET THE STEP INTO A LEVEL POSITION AND TIGHTEN ALL FASTENERS.

## SERVICE PARTS LIST

ITEM	PART NO.	QTY	DESCRIPTION
1	551954	1	GRIP STEP BOARD, 54", BLK
2	551298	2	SPACER PLATE, FLAT, GALV.
3	551296	2	SUPPORT BRACE, GALV.
4	108683	4	BOLT-CARRAIGE, 5/6-18 X 1.00,SST
5	551394	2	END CAP, GRIP STEP, BLACK
6	107958	4	SCREW-TEK, #8X1/2, SST,BLK
7	101369	4	WASHER-FLAT, 5/16, SST
8	102680	4	NUT SERR FLG,SST,5/16"



(A LIVERNE Company)

1200 E. Birch St.

Brandon, SD 57005

552520 SHEET 1 OF 2 12JUN14

SERVICE PARTS LIST

MODEL NO. - 571478

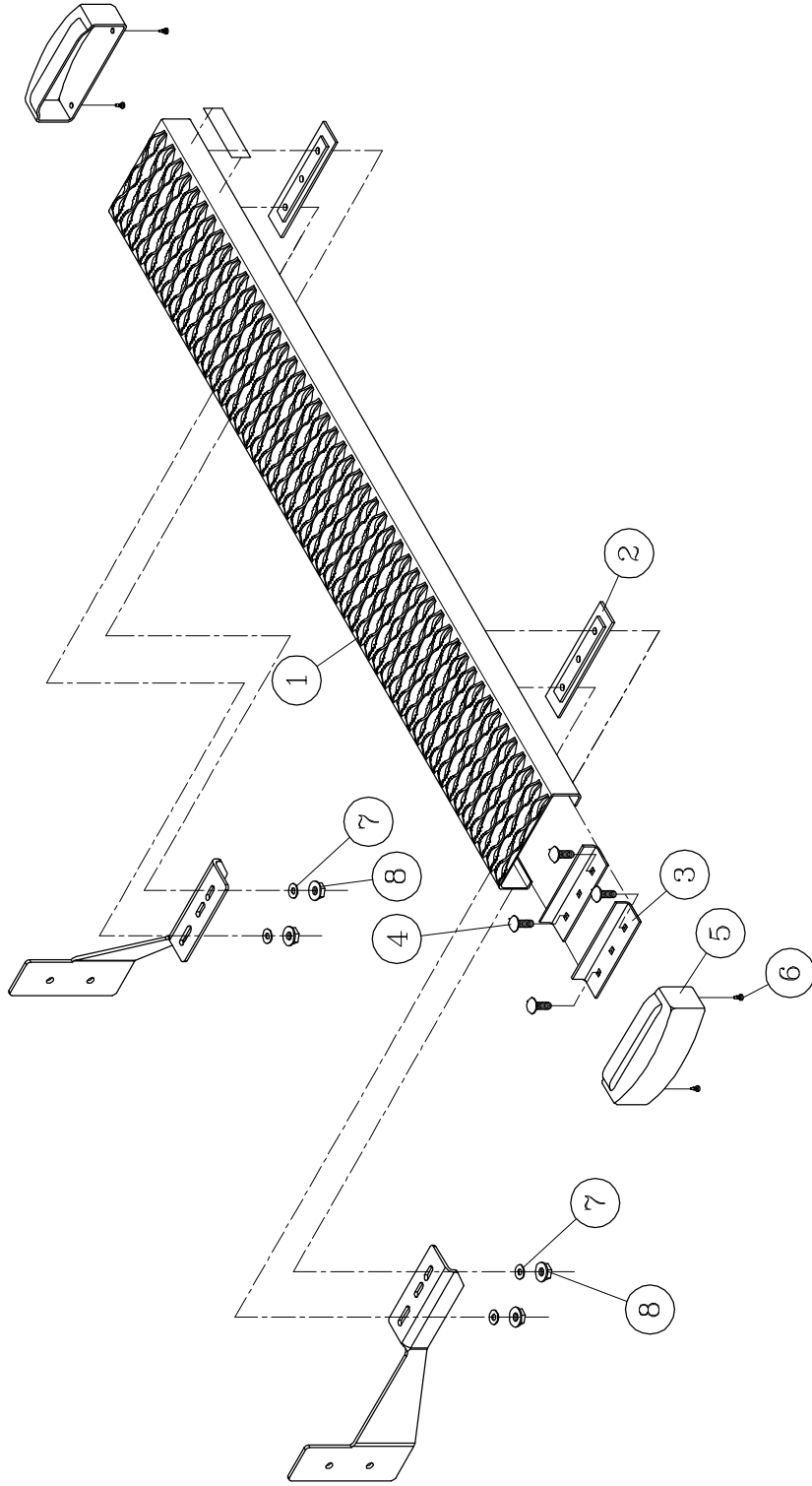


FIG. 1

**LOVERNE**  
A LOVERNE COMPANY  
ELECTRO-VENTILATION

1200 E. BIRCH ST.  
SPRINGFIELD, OH 45505

# INSTALLATION INSTRUCTIONS AND PARTS LIST

FOR MOUNTING 401527/571527 GRIP STEPS/MEGA-OMEGA STEPS  
PASSENGER SLIDING DOOR ONLY  
2015-NEWER FORD TRANSIT VANS.

READ INSTRUCTIONS COMPLETELY AND CHECK TO MAKE SURE THAT ALL REQUIRED PARTS  
(LISTED ON SERVICE PARTS LIST) ARE ON HAND BEFORE STARTING THE INSTALLATION.

## **PASSENGER SIDE INSTALLATION**

1. MEASURE FROM THE REAR OF THE FRONT FENDER OPENING, AND MARK THE PINCH WELD FOR DRILLING THE FRONT HOLE OF EACH BRACKET AS SHOWN IN FIG. 2. THEN DRILL THE REAR HOLE OF EACH BRACKET, REAR HOLE DISTANCE IS 3" FROM THE FRONT HOLE ON THE FIRST 2 BRACKETS, AND 1-1/4" ON THE 3RD REAR MOST BRACKET.
2. DRILL 11/32" HOLE IN EACH OF THE LOCATIONS MARKED OUT ON THE PINCHWELD.

**NOTE: SLIDE A FLAT PIECE OF METAL SUCH AS A PUTTY KNIFE BETWEEN THE PINCHWELD, AND THE PLASTIC ROCKER MOLDING, TO AVOID DAMAGING MOLDING DURING DRILLING.**

3. INSTALL BOLT PLATE RETAINERS (ITEM #3, 4) AND 5/16-18 X 1" CARRIAGE BOLTS (ITEM #5) BETWEEN THE ROCKER MOLDING, AND THE PINCHWELD, WITH CARRIAGE BOLTS GOING THROUGH THE HOLES DRILLED IN THE PINCHWELD.

**NOTE: IT MAY BE NECESSARY TO RELEASE THE LOWER CLIPS OF THE ROCKER MOLDING, TO ALLOW IT TO BE PULLED BACK ENOUGH TO GET CARRIAGE BOLTS AND RETAINER PLATES INSTALLED.**

4. PLACE BRACKETS (ITEM #1, 2) UP TO ROCKER, AND FASTEN TO THE 5/16-18 X 1" CARRIAGE BOLTS (ITEM #5) THAT YOU'VE ALREADY PUT THROUGH THE PINCHWELD, USING THE 5/16-18 SERRATED FLANGE NUTS (ITEM #6). LEAVE THESE FASTENERS FINGER TIGHT AT THIS TIME. **SEE FIG. 1 FOR PROPER BRACKET LOCATIONS.**
5. IN THE TOP HOLES OF EACH BRACKET DRILL A 17/64" HOLE THROUGH THE SHEET METAL OF THE ROCKER PANEL, AS SHOWN IN FIG. 1.
6. INSTALL THE 5/16-18 X 1" THREAD CUTTING BOLT (ITEM #7), AND THE 5/16" LOCK WASHER (ITEM #8) INTO EACH OF THE 17/64" HOLES THAT WERE DRILLED. TIGHTEN TO 10 LB. FT.

**NOTE: DUE NOT TIGHTEN THE 5/16-18 X 1" THREAD CUTTING BOLTS (ITEM #7) TO MORE THAN 10 LB. FT. OF TORQUE. OVER TORQUEING THESE WILL RESULT IN STRIPPING OUT THE ROCKER PANEL.**

7. TIGHTEN ALL REMAINING 5/16-18 FASTENERS 19 LB. FT.



# INSTALLATION INSTRUCTIONS AND PARTS LIST

## SERVICE PARTS LIST

ITEM	PART NO.	QTY	DESCRIPTION
1	552581	2	MTG-BRKT, MIDDLE, LH/RH, GRIP STEP
1	552609	2	MTG-BRKT, MIDDLE, LH/RH, MEGA STEP
2	552582	1	MTG-BRKT, REAR, LH/RH, GRIP STEP
2	552610	1	MTG-BRKT, REAR, LH/RH, MEGA STEP
3	552611	2	BOLT-RETAINER PLATE, FRONT, ZP, 401525
4	552612	1	BOLT-RETAINER PLATE, REAR, ZP, 401525
5	108683	6	BLT-CRG, 5/16-18 X 1, SST
6	102680	6	SRRTD FLNG-NUT, 5/16-18, SST
7	109177	6	THRD CTTNG-SCRW, 5/16-18 X 1, ZP
8	100030	6	WASHER-LK, 5/16, ZP



1200 E. Birch St. Brandon, SD 57005

SERVICE PARTS LIST

BRACKET NO. - 401527  
571527

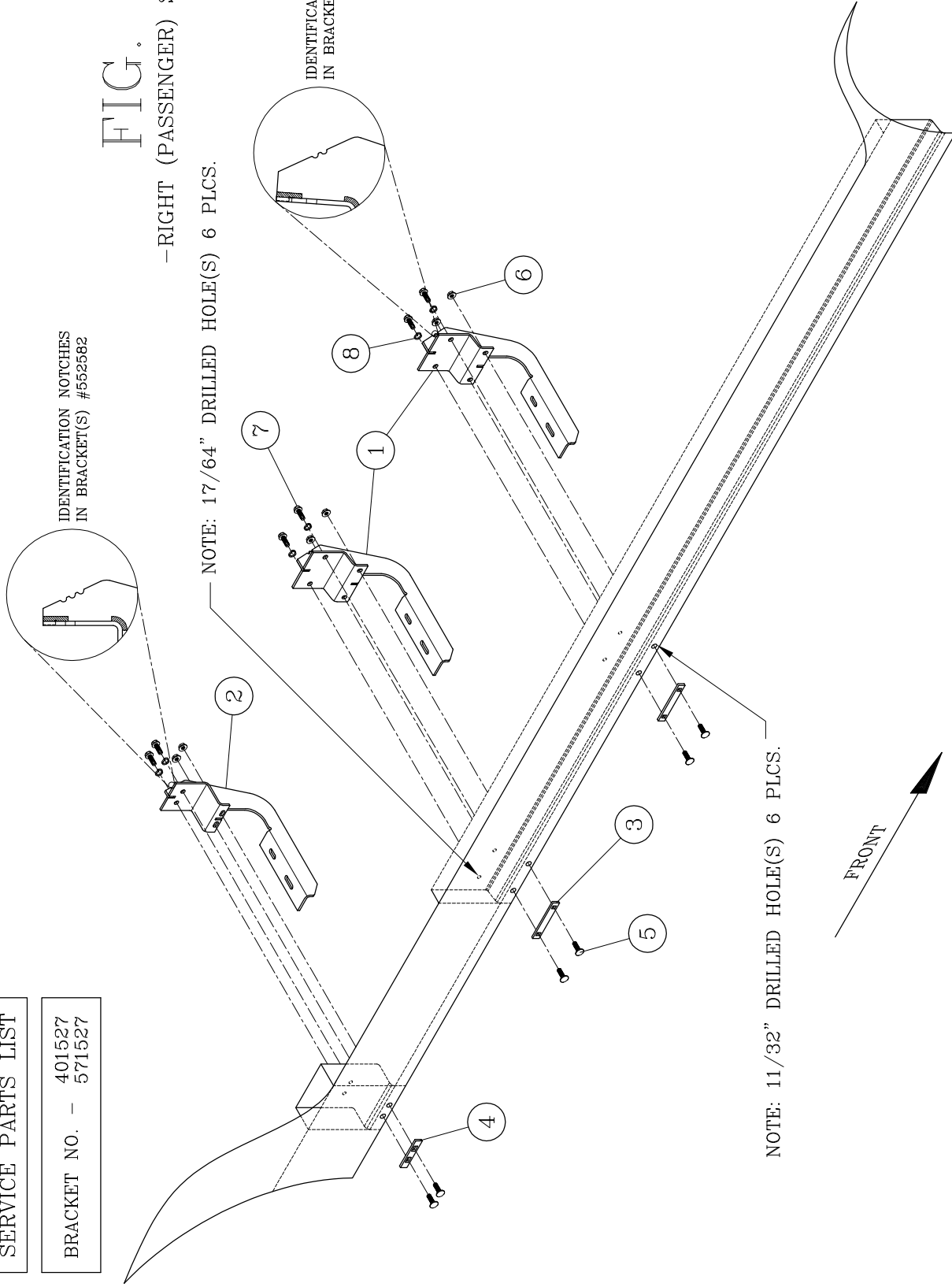
IDENTIFICATION NOTCHES  
IN BRACKET(S) #552582

# FIG. 1

-RIGHT (PASSENGER) SIDE SHOWN-

NOTE: 17/64" DRILLED HOLE(S) 6 PLCS.

IDENTIFICATION NOTCHES  
IN BRACKET(S) #552581



NOTE: 11/32" DRILLED HOLE(S) 6 PLCS.



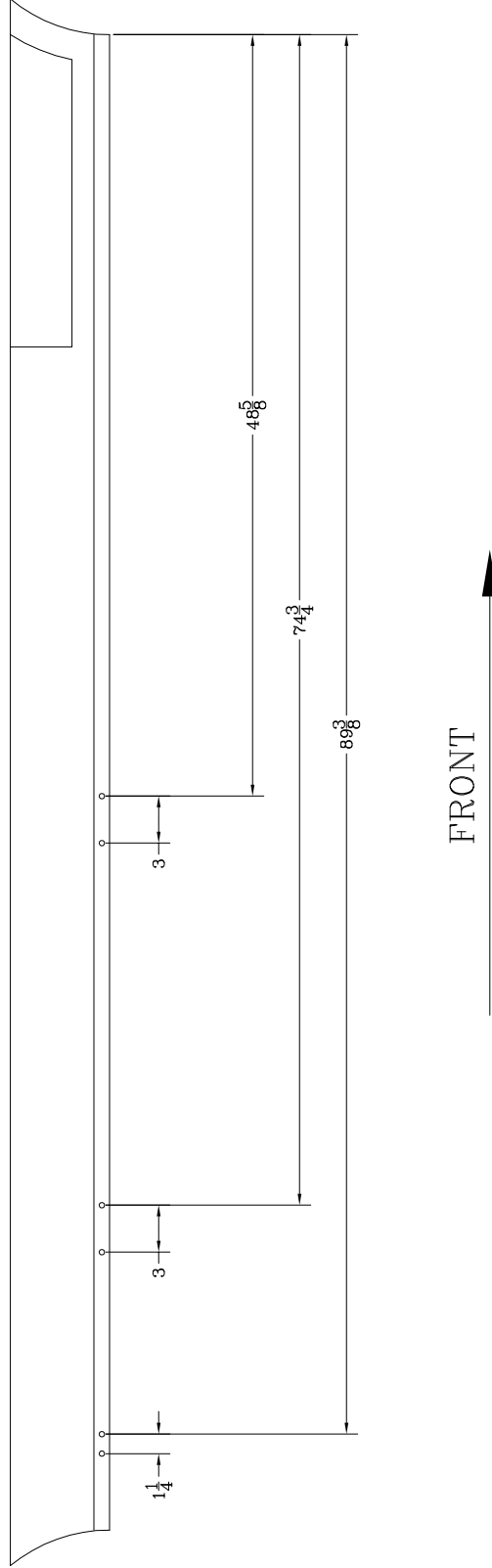
1200 E. Birch St.  
Bismarck, SD 57005

SERVICE PARTS LIST

BRACKET NO. - 401527  
571527

FIG. 2  
RIGHT (PASSENGER SIDE)

NOTE:  
THESE DIMENSIONS MAY NEED TO BE ADJUSTED FORWARD, OR BACKWARD  
TO AVOID DRILLING THROUGH SPOT WELDS IN THE PINCH SEAM.



1209 E. Birch St.  
Brynthon, SD 57005