

## INSTALLATION INSTRUCTIONS AND PARTS LIST

MODEL 415054, 415060, GRIP STEPS (BOARDS ONLY)

UNIVERSAL APPLICATIONS

1. Read instructions completely and check to make sure that all required parts (listed on the service parts list) are on hand before starting the installation.
2. Follow the instructions included with the specific bracket package that you are using to mount the brackets to your vehicle.
3. Step assembly:
  - 3.1 Before attaching the grip steps to the brackets, slide the appropriate number of support braces (item #2) into the channel of the step (item #1).
  - 3.2 Slide the end cap (item #3) over the front and rear of each step. Using the supplied #8 x 1/2" self drilling tek screw (item #8), screw the end cap to the bottom of the step.
4. Attaching the step to the mounting bracket:
  - 4.1 Set the step on the mounting brackets, and slide each support brace over the top of each mounting bracket. Attach the flat spacer plate (item #4) to the bottom of the step, between the support brace, and the top of the mounting bracket.
  - 4.2 Using the supplied 5/16-18 x 1" carriage bolt, washer, and flange nuts, (item #5, 6, 7), attach the step assembly, flat spacer plate and mounting bracket. **(NOTE: Some of the flange nuts are supplied in the specific bracket package, not the step package.)**
  - 4.3 Set the step plate in the correct position and tighten all fasteners.  
Torque all 5/16" fasteners to 19 LB FT.

### SERVICE PARTS LIST

ITEM	PART NO.	QTY	DESCRIPTION
1	551954	2	EXTRUSION-AL,54, GRIP STEP,BLK,415054
1	551955	2	EXTRUSION-AL,59.62,GRIP STEP,BLK,415060
2	551296	4	SUPPORT BRACE, UPPER, GALV
3	551394	4	CAP-END,GRIP STEP, BLACK, PLASTIC
4	551298	4	SPACER PLATE, LOWER, BLACK
5	108683	8	BOLT-CRG,5/16-18 X 1.0", SST
6	101369	8	WASHER-FLAT,5/16,SST
7	102680	8	NUT-SERR FLG,HX,SST,WX,5/16-18
8	107958	8	SCR-TEK #8-18 X 1/2",SST,BLK

**LIVERNE**  
TRUCK EQUIPMENT

(A LIVERNE Company)

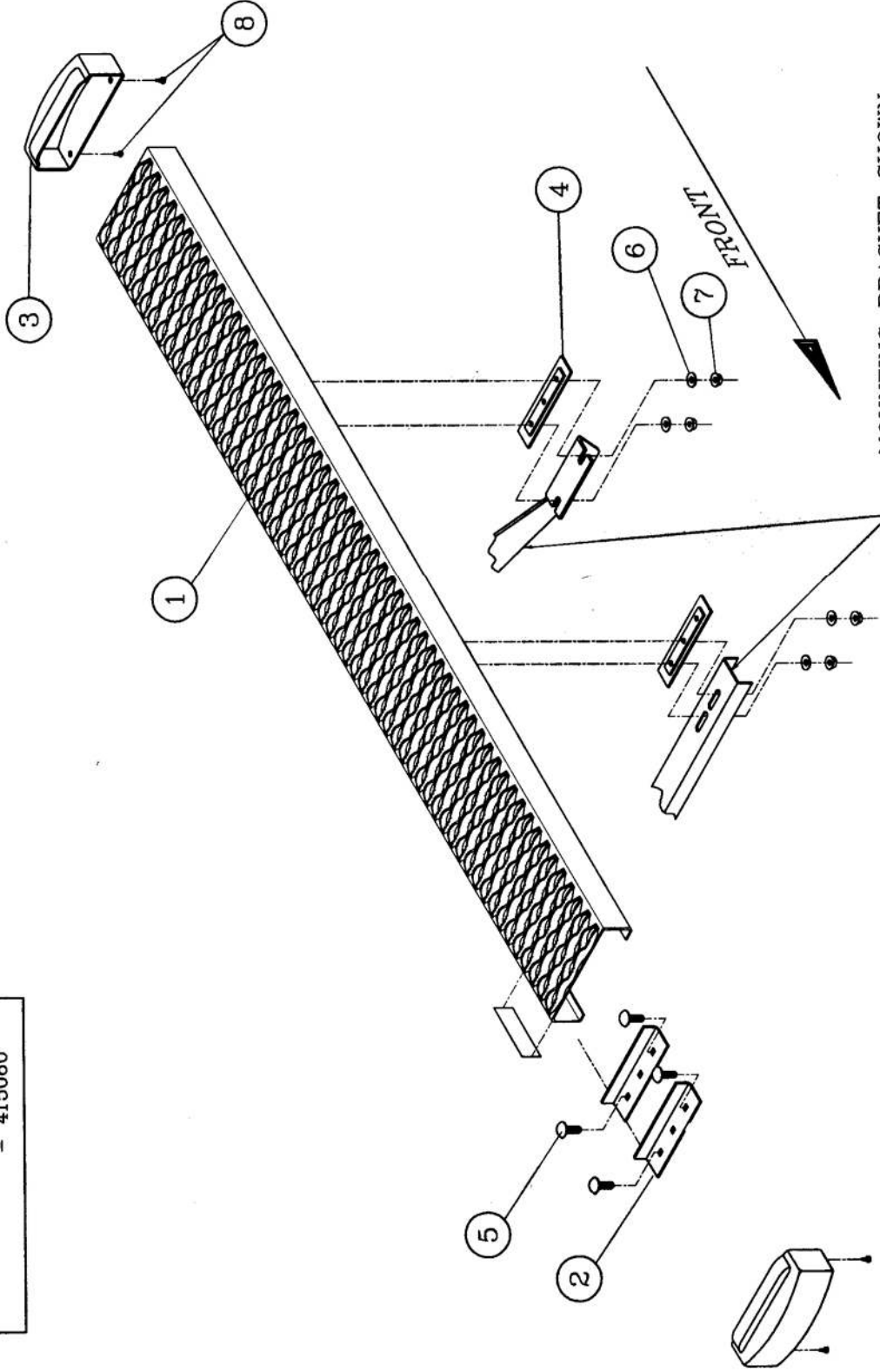
1200 E. Birch St.

Brandon, SD 57005

551958 SHEET 1 OF 2 22JUL11

SERVICE PARTS LIST

MODEL NO. - 415054  
- 415060



**LAVERNE**  
TRUCK EQUIPMENT  
(A LAVERNE Company)

1200 E. Birch St.  
Brandon, SD 57005

# INSTALLATION INSTRUCTIONS AND PARTS LIST

## MODEL 400751 STEP BRACKETS:

2007 AND NEWER TOYOTA TUNDRA REGULAR CAB PICKUPS



1. READ INSTRUCTIONS COMPLETELY AND CHECK TO MAKE SURE THAT ALL REQUIRED PARTS (LISTED ON SERVICE PARTS LIST) ARE ON HAND BEFORE STARTING THE INSTALLATION.
2. ATTACH THE MOUNTING BRACKETS TO THE VEHICLE USING EXISTING MOUNTING HOLES ON THE INTERIOR WALL OF THE ROCKER PANEL. NOTE: THE BRACKETS MUST BE PLACED IN THE PROPER POSITION, SEE FIG. 1.
  - 2.1. POSITION THE BRACKETS ON THE VEHICLE SO THAT BOTH HOLES LINE UP WITH THE THREADED INSERTS IN THE ROCKER PANEL. ATTACH THE TOP OF THE BRACKET WITH A M8-1.25 X 25MM ZINC PLATED HEX HEAD CAP SCREW, 5/16" FLAT WASHER AND LOCK WASHER (ITEMS #3, #4 & #5). LEVEL THE BRACKETS AND TIGHTEN THE FASTENERS TO 19 LB FT.
3. ATTACHING THE STEP ASSEMBLY:  
PLEASE REVIEW THE INSTALLATION INSTRUCTIONS THAT ARE INCLUDED IN YOUR STEP ASSEMBLY FOR SPECIFIC DETAILS.

## SERVICE PARTS LIST

ITEM	PART NO.	QTY	DESCRIPTION
1	551985	2	BRKT- MTG, STEP,FRNT, TOYOTA TUNDRA
2	551987	2	BRKT- MTG, STEP,REAR, TOYOTA TUNDRA
3	102549	8	SCREW-M8-1.25X25MM,ZP
4	100030	8	WHSR-LOCK, 5/16" ZP
5	100034	8	WHSR-FLAT, 5/16" ZP



(A LIVERNE Company)

1200 E. Birch St.

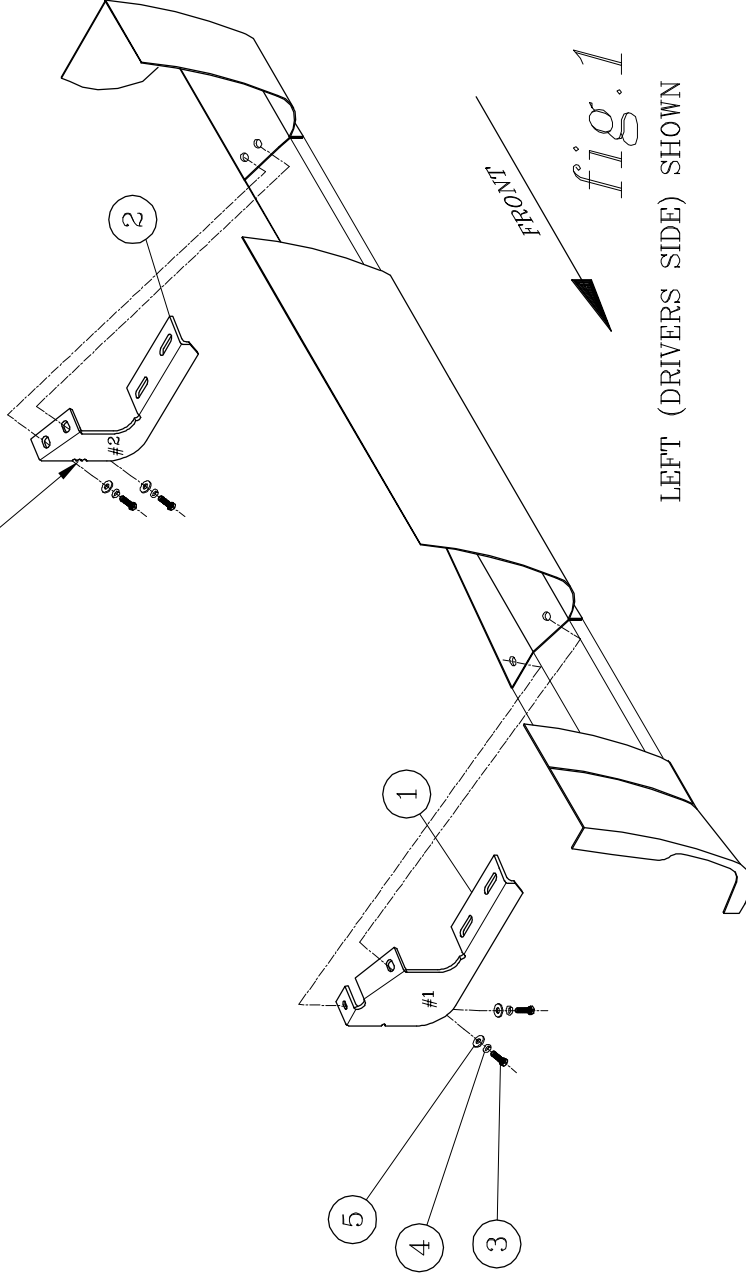
Brandon, SD 57005

551991 SHEET 1 03APR12

SERVICE PARTS LIST

MODEL NO. - 400751

NOTE: BRACKETS HAVE NOTCHES IN THE BACK SIDE EDGE, THE BRACKETS WITH 1 NOTCH GO ON THE FRONT, AND THE BRACKETS WITH 3 NOTCHES GO ON THE REAR.



LEFT (DRIVERS SIDE) SHOWN

fig. 1