

INSTALLATION MANUAL

4055142

Level of Difficulty

Easy

This is the first of two manuals required to complete this installation. The second manual is included with your running boards / side steps.

Parts List

6	VersaTrac™ mounting bracket, universal
6	Serrated flange nut, M8
12	Hex bolt, M8 (S)
12	Flat washer, M8 (S)
12	Lock washer, M8 (S)
12	Hex bolt, M8 (B)
12	Flat washer, M8 (B)
12	Lock washer, M8 (B)
12	Hex nut, M8 (B)

(S) = Silver hardware, (B) = Black hardware

Running boards / side steps sold separately

Tools Required

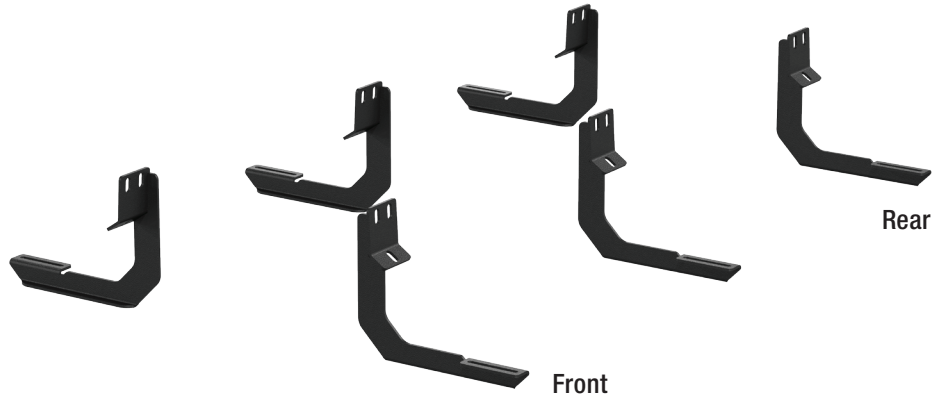
Ratchet	Level
Torque wrench	Socket set
Flathead screwdriver	--

Torque Specifications

	Metric	SAE
M6 bolt	3 ft-lbs.	
M8 bolt	7 ft-lbs.	
M10 bolt	16 ft-lbs.	
M12 bolt	28 ft-lbs.	
1/4" bolt	3 ft-lbs.	
5/16" bolt	7 ft-lbs.	
3/8" bolt	16 ft-lbs.	
7/16" bolt	20 ft-lbs.	
1/2" bolt	28 ft-lbs.	

Use above torque setting unless otherwise noted

Product Photo



Notes and Maintenance

Before you begin installation, read all instructions thoroughly.

Proper tools will improve the quality of installation and reduce the time required.

Mild automotive detergent may be used to clean the product. Do not use dish detergent, abrasive cleaners, abrasive pads, wire brushes or other similar products that may damage the finish.

Refer to the table to the left when securing hardware during the installation process to help prevent damage to the product or vehicle.

Product Registration

CURT Group stands behind our products with industry leading warranties.

You can help us continue to improve our product line and help us understand your needs by registering your purchase by visiting:

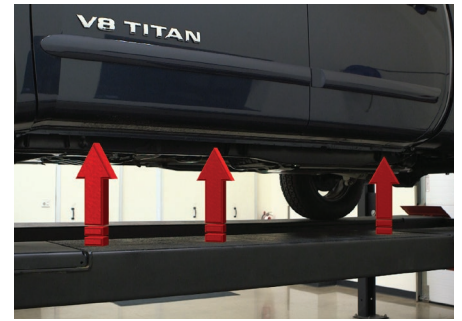
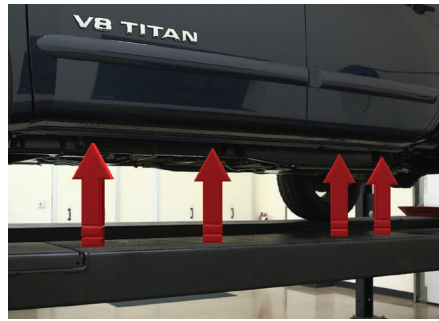
warranty.curtgroup.com/surveys

At CURT Group, customer is king. We value your feedback and we use that information to make improvements on our products. Please, take a minute and let us know how we are doing.

Step 1

Starting on the driver side, locate the four mounting tabs along the bottom edge of the vehicle body.

This installation will use the first, second and fourth mounting tabs.



Step 2

Starting at the front driver-side mounting location, use a flathead screwdriver to remove the plastic plugs, exposing the threaded inserts on the rocker panel.

Note: Old-style vehicles may have a combination of threaded inserts and threaded studs. New-style vehicles will have two threaded inserts as shown.



Step 3

Secure the bracket to the vehicle using an M8 serrated flange nut on the top mounting point and a silver M8 hex bolt, lock washer and flat washer on the lower mounting point.

On newer vehicles with two threaded inserts, install the bracket with two silver M8 hex bolts, lock washers and flat washers.

Snug the hardware, but do not fully tighten.



Step 4

Repeat steps 2 and 3 to install the middle and rear mounting brackets.

Repeat steps 1 through 4 on the passenger side of the vehicle.

Note: To complete the installation, refer to the manual included with your running boards / side steps.

