

INSTALLATION MANUAL

401817

Level of Difficulty

Easy

Installation difficulty levels are based on time and effort involved and may vary depending on the installer level of expertise, condition of the vehicle and proper tools and equipment.

Parts List

Qty	Description
2	Mounting bracket, front
1	Mounting bracket, rear
1	Mounting bracket, front support
1	Mounting bracket, middle support
10	Flat washer, 5/16"
4	Nylock nut, 5/16"-18
6	Hex nut, M8 x 1.25"
6	Lock washer, M8
4	Carriage bolt, 5/16-18 x 1"
2	T-bolt, M8 x 1.25" x 30mm
2	Bolt retainer

Tools Required

Ratchet	Socket set
Torque wrench	Socket extension
Wrench set	--

Torque Specifications

M8 bolt	20 ft-lbs.
5/16" bolt	12 ft-lbs.

Use above torque setting unless otherwise noted

Product Photo



NOTICE

Visit www.luvernetruck.com for a full-color copy of this instruction manual, as well as helpful videos, guides and much more!

Before you begin installation, read all instructions thoroughly.

Proper tools will improve the quality of installation and reduce the time required.

Periodic inspection of your product should be performed to ensure all hardware and / or components remain secure.

To help prevent damage to the product or vehicle, refer to the specified torque specifications when securing hardware during the installation process.

Maintenance

Mild automotive detergent may be used to clean the product. Do not use dish detergent, abrasive cleaners, abrasive pads, wire brushes or other similar products that may damage the finish.

Product Registration and Warranty

LUPERNE stands behind our products with industry-leading warranties. To get copies of the product warranties, register your purchase or provide feedback, visit: warranty.curtgroup.com/surveys

Step 1

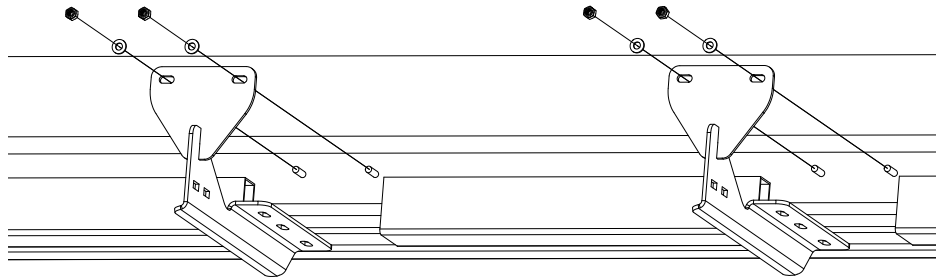
Locate the mounting location cover plates and remove.



Step 2

Slide the front mounting brackets over the studs in the rocker panel where the two cover plates were removed.

Secure the bracket to the studs with two flat washers and M8 nylock nuts.



Step 3

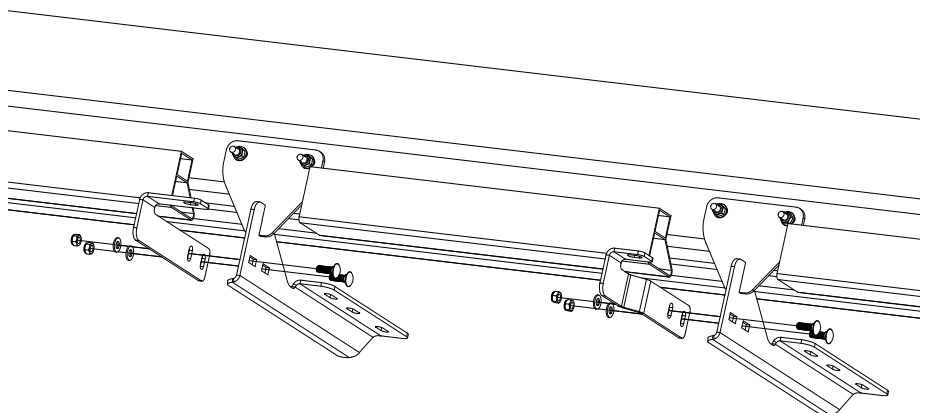
Remove the 5th and 9th battery bolt, counting from the front to back.



Step 4

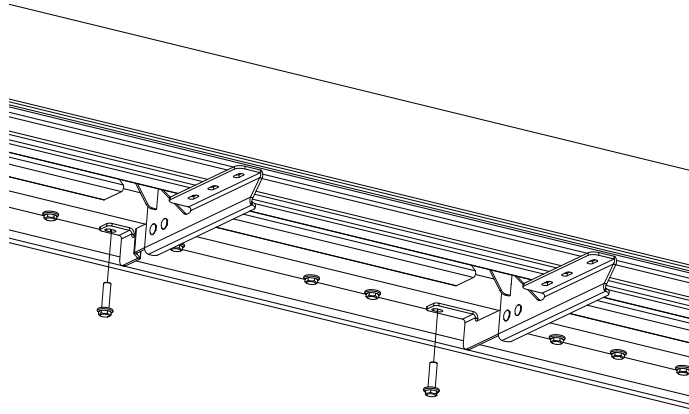
Secure the support brackets to the mounting brackets with 5/16" carriage bolts, washers and nylock nuts. Snug the hardware, but do not fully tighten.

The support bracket with additional bends will go on the rear mounting bracket to line up with the removed battery bolt.



Step 5

Use the battery bolts to secure the support brackets to the frame. Tighten the battery bolts to 52 ft-lbs., being careful not to damage the frame threads when re-installing. Tighten the rocker panel stud nylock nuts at this time.



Step 6

Insert a T-bolt into each of the rear mounting locations and secure with a bolt retainer.



Step 7

Secure the rear mounting bracket using two 5/16" flat washers, M8 lock washers and M8 nuts. Adjust all brackets to be level and parallel before tightening the remaining hardware.

NOTICE

To complete the installation, refer to the manual included with your running boards / side steps.

