

INSTALLATION MANUAL

401536

This is the first of two manuals required to complete this installation. The second manual is included with your running boards.

Level of Difficulty

Easy

Installation difficulty levels are based on time and effort involved and may vary depending on the installer level of expertise, condition of the vehicle and proper tools and equipment.

Parts List

Qty	Description
6	Mounting bracket
2	Rear mounting bracket
12	Flange nut, M8

Tools Required

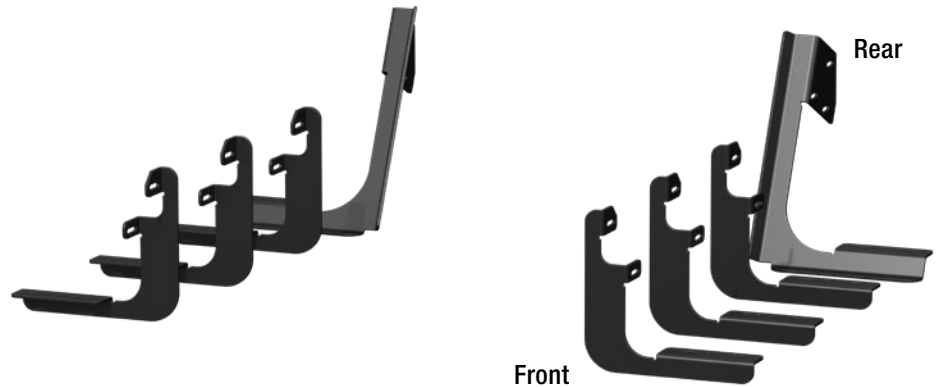
Socket, M12	Torque bar
-------------	------------

Torque Specifications

M8 bolt	7 ft-lbs.
---------	-----------

Use above torque setting unless otherwise noted

Product Photo



NOTICE

Visit www.luvernetruck.com for a full-color copy of this instruction manual, as well as helpful videos, guides and much more!

Before you begin installation, read all instructions thoroughly.

Proper tools will improve the quality of installation and reduce the time required.

Periodic inspection of your product should be performed to ensure all hardware and / or components remain secure.

To help prevent damage to the product or vehicle, refer to the specified torque specifications when securing hardware during the installation process.

Maintenance

Mild automotive detergent may be used to clean the product. Do not use dish detergent, abrasive cleaners, abrasive pads, wire brushes or other similar products that may damage the finish.

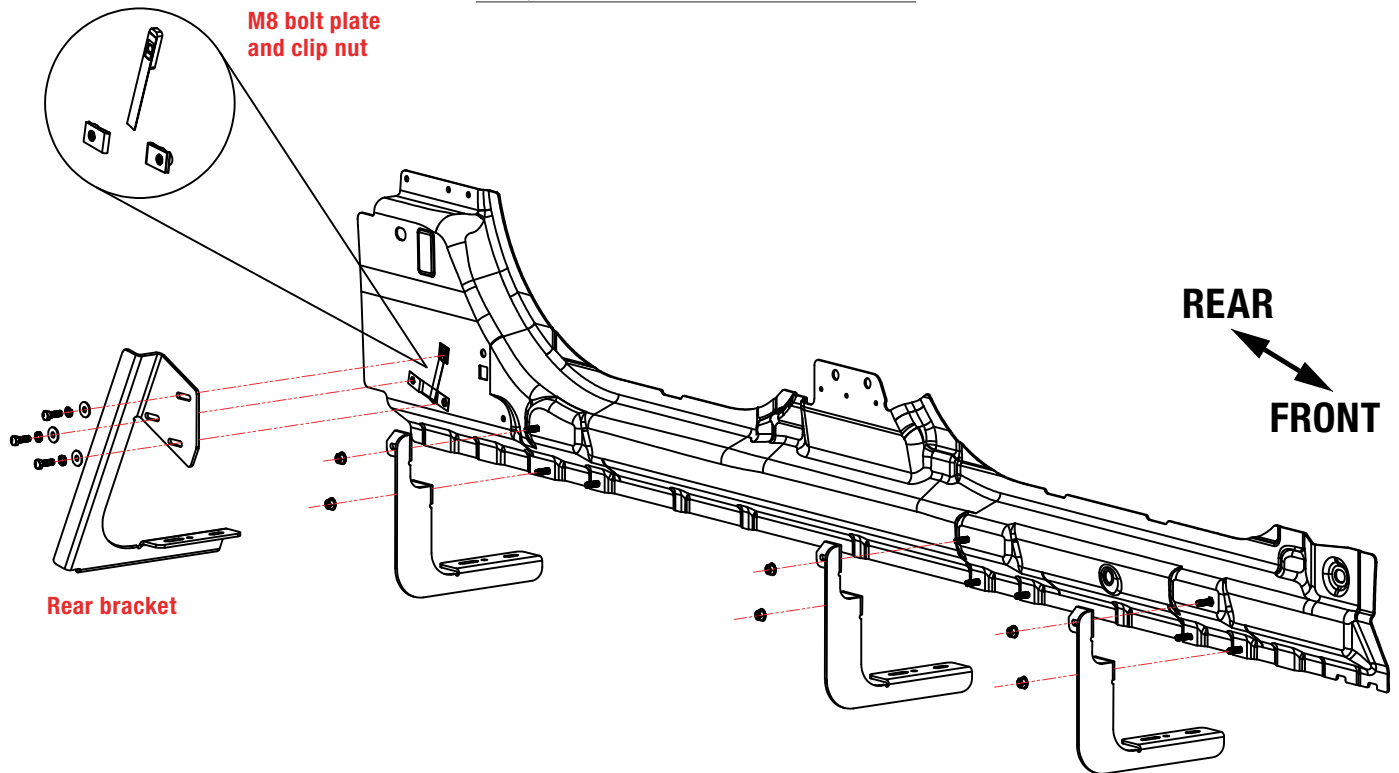
Product Registration and Warranty

LUPERNE stands behind our products with industry-leading warranties. To get copies of the product warranties, register your purchase or provide feedback, visit: warranty.curtgroup.com/surveys

ASSEMBLY

Parts List

Qty	Description
6	Mounting bracket
2	Rear mounting bracket
12	Flange nut, M8



Step 1

Starting on the driver side of the vehicle, locate the factory studs on the inside of the rocker panel. Using the provided M8 flange nuts, secure the forward-most mounting bracket to the studs. Do not fully tighten hardware at this time.

Repeat for the two middle brackets.

Step 2

For the rear bracket, locate the rear hole in the rocker panel and insert two of the provided M8 clip nuts along with an M8 bolt plate.

Attach the rear bracket using three of the provided M8 bolts, lock washers and flat washers.



Step 3

Repeat step 1 and 2 for the passenger side of the vehicle

Step 4

Attach the step with instructions included with the step.

Tighten all hardware to the torque specifications listed on page 1.