

## Level of Difficulty

Moderate

Installation difficulty levels are based on time and effort involved and may vary depending on the installer level of expertise, condition of the vehicle and proper tools and equipment.

**This is the first of two manuals required to complete this installation. The second manual is included with your side steps / running boards.**

## Parts List

Qty	Description
1	Mounting bracket, driver-side front
1	Mounting bracket, driver-side middle
1	Mounting bracket, passenger-side front
1	Mounting bracket, passenger-side middle
3	Mounting bracket, passenger-side rear
5	Retainer plate, long
2	Retainer plate, short
14	Flat washer, 5/16"
14	Hex bolt, 5/16"-18 x 1", grade 5
14	Flange nut, 5/16"-18
4	Flat washer, 1/4"
4	Hex bolt, 1/4"-20 x 3/4", grade 5
4	Clip-on nut, 1/4"-20
13	Thread forming bolt, 5/16" x 3/4"

## Tools Required

Drill	Clamp
Drill bit, 3/16"	Wrench, 1/2"
Drill bit, 11/32"	Straight edge / level
Ratchet	Paint marker
Socket, 7/16"	Tape measure
Socket, 1/2"	Trim panel pry tool

## Torque Specifications

1/4" bolt	3 ft-lbs.
5/16" bolt	7 ft-lbs.

Use above torque setting unless otherwise noted

## Product Photo



## NOTICE

Visit [www.luvernetruck.com](http://www.luvernetruck.com) for a full-color copy of this instruction manual, as well as helpful videos, guides and much more!

Before you begin installation, read all instructions thoroughly.

Proper tools will improve the quality of installation and reduce the time required.

Periodic inspection of your product should be performed to ensure all hardware and / or components remain secure.

To help prevent damage to the product or vehicle, refer to the specified torque specifications when securing hardware during the installation process.

## Maintenance

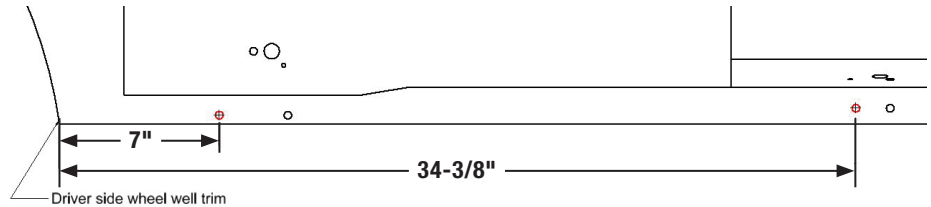
Mild automotive detergent may be used to clean the product. Do not use dish detergent, abrasive cleaners, abrasive pads, wire brushes or other similar products that may damage the finish.

## Product Registration and Warranty

LUVERNE stands behind our products with industry-leading warranties. To get copies of the product warranties, register your purchase or provide feedback, visit: [warranty.curtgroup.com/surveys](http://warranty.curtgroup.com/surveys)

### Step 1 - Driver-Side

As shown, mark the pinch weld for the front hole of each bracket. The holes will be 7" back from the wheel well for the front bracket and 34-3/8" back for the rear bracket.



### Step 2 - Driver-Side

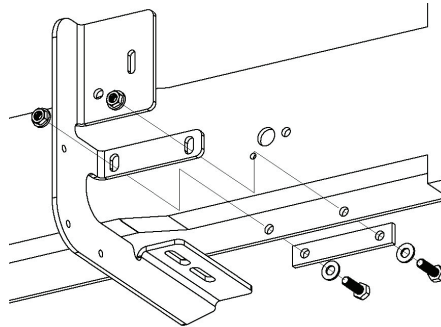
Attach the front driver side bracket by lining up the bracket with the first marked spot, then mark the second pinch weld hole.

Make sure to leave enough space at the top of the pinch weld for the retainer and hardware to sit flat against the outside pinch weld.

### Step 3 - Driver-Side

After the holes are marked, drill an 11/32" hole at each marked location.

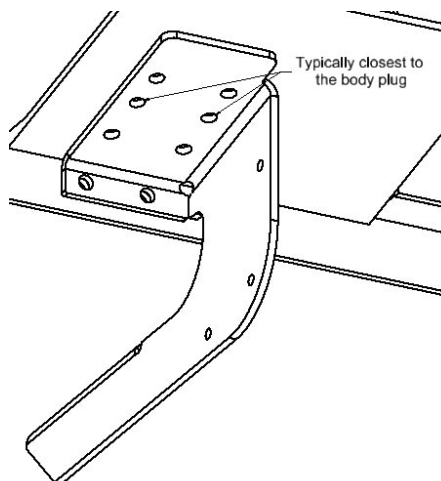
Fasten the bracket to the pinch weld using the provided 5/16"-18 hardware and retainer plate. The top hole will be drilled later in the installation.



### Step 4 - Driver-Side

Place the second bracket up to the inside of the pinch weld, lined up with the second marked hole, and secure it using a clamp. **Note:** Some under coating will need to be scraped off so the bracket will sit flat with the pinch weld.

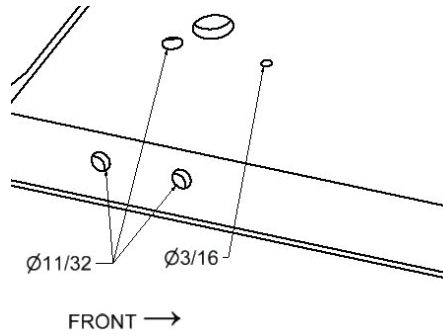
Using the bracket holes as a reference, mark the center of the two holes on the pinch weld and the two holes on the angled surface that match up closest to the body plug.



### Step 5 - Driver-Side

Once the four holes have been marked, drill the two pinch welds and the marked hole, toward the rear of the vehicle on the angled surface, with an 11/32" bit.

Drill the last hole toward the front of the vehicle on the angled surface with a 3/16" drill bit.

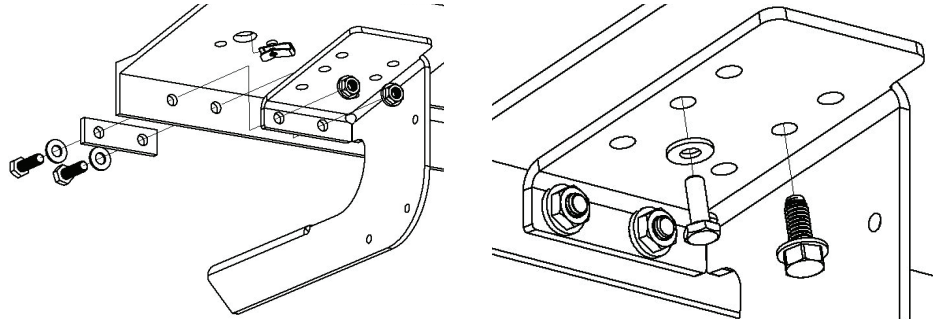


### Step 6 - Driver-Side

Remove the body plug on the angled surface, toward the rear of the vehicle, that the 11/32" hole should have been drilled next to. Slide the U-nut in place over the 11/32" hole.

Place the bracket into position and fasten it to the pinch weld using the provided 5/16" bolts, washers, nuts and retainer plate. Do not fully tighten at this time.

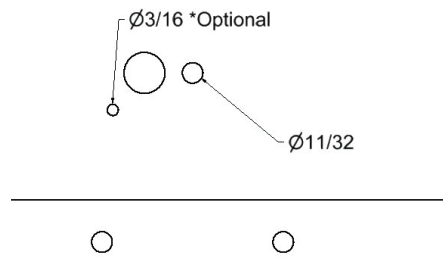
Insert a 1/4" bolt and flat washer into the U-nut bracket hole and the 5/16" x 3/4" self-tapping screw through the 3/16" hole. Tighten all hardware securing the second bracket.



### Step 7 - Driver-Side

Drill the top hole of the front bracket by placing a straight edge or level on the flat surface of the second bracket, and adjusting the front bracket until the straight edge is sitting level with the vehicle. Mark the center of the top slotted hole.

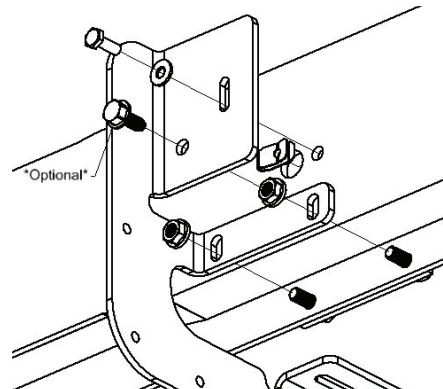
Remove the bracket and drill an 11/32" hole where marked. **Optional:** Before removing the bracket, the center of the extra hole can be marked and drilled with a 3/16" bit.



### Step 8 - Driver-Side & Passenger-Side

Remove the body plug next to the 11/32" hole and install a U-nut. Reinstall the bracket and use a 1/4" bolt and washer in the U-nut. If the optional hole was drilled, use a 5/16" x 3/4" self-tapping screw. Tighten all hardware to the recommended torque specifications on page 1.

Repeat steps 1 - 8 to install the front two passenger-side brackets.

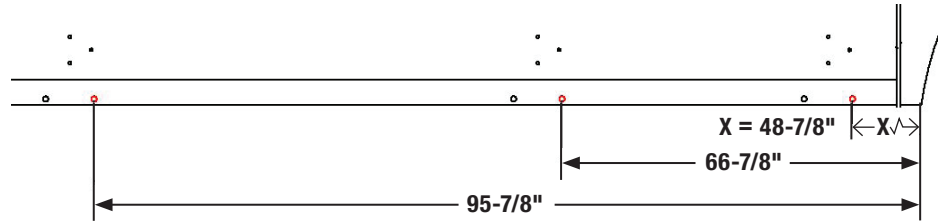


### Step 9 - Passenger-Side

Measure from the front wheel well and mark the front hole for the three rear brackets:

- First hole: 48-7/8"
- Second hole: 66-7/8"
- Third hole: 95-7/8"

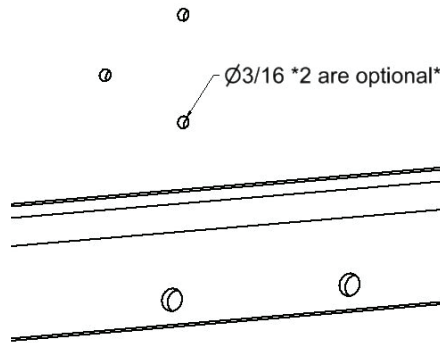
Place a bracket at each location and mark the second pinch weld hole. Drill all marked locations with a 11/32" bit. After the holes are drilled attach the brackets to the pinch weld with the provided 5/16" bolts, washers, nuts and retainer plates.



### Step 10 - Passenger-Side

Using the running board or a level, align each of the three rear brackets with the first two brackets and mark one of the three top holes.

Additional holes can be marked, but are optional. Remove the brackets and drill each marked hole with a 3/16" drill bit.



### Step 11 - Passenger-Side

Reattach the brackets to the pinch weld and use a 5/16" x 3/4" self-tapping screw for each upper hole. Tighten all hardware to the recommended torque specifications on page 1.

**Note:** To complete the installation, refer to the manual included with your running boards / side steps.

