



## INSTALLATION INSTRUCTIONS FOR MOUNTING

LUVERNE BULL BARS WITH THE FOLLOWING MODEL NOS.:  
300210, 300250, 300310, 300350 – BULL BAR ASSEMBLY  
301032 – BRACKET PACKAGE

2006 AND NEWER DODGE RAM  
2500/3500 HD PICKUPS

1. READ THE INSTRUCTIONS COMPLETELY AND CHECK TO MAKE SURE THAT ALL OF THE REQUIRED PARTS ARE ON HAND BEFORE STARTING THE INSTALLATION. THE CARTONS SHOULD CONTAIN:

- (1) BULL BAR
- (1) BRACKET PACKAGE:
  - (1) MOUNTING BRACKET, LH
  - (1) MOUNTING BRACKET, RH
  - (1) FASTENER PACKAGE

### IF YOUR VEHICLE HAS TOW HOOKS:

2. REMOVE THE RIGHT HAND FRONT TOW HOOK.
3. INSTALL THE RIGHT HAND MOUNTING BRACKET (ITEM #2) BETWEEN THE FRAME AND THE TOW HOOK AS SHOWN IN FIG. 1 USING THE SUPPLIED HARDWARE (ITEM #4 & #7). LEAVE THE BOLTS FINGER TIGHT AT THIS TIME.
4. REPEAT STEPS 2 & 3 ON THE LEFT HAND SIDE.

### IF YOU VEHICLE DOES NOT HAVE TOW HOOKS:

2. INSTALL THE RIGHT HAND MOUNTING BRACKET (ITEM #2) TO THE FRONT OF THE FRAME AS SHOWN USING THE SUPPLIED HARDWARE (ITEMS #4 & #7). LEAVE THE BOLTS FINGER TIGHT AT THIS TIME.
3. REPEAT STEP 5 ON THE LEFT HAND SIDE.

**NOTE: BASED ON YOUR STATE AND LOCAL LAWS, DETERMINE IF YOU NEED TO RELOCATE YOUR LICENSE PLATE PRIOR TO STEP #5. REMOVE/RELOCATE/INSTALL YOUR LICENSE PLATE BRACKET AND LICENSE PLATE BEFORE MOUNTING THE BULL BAR TO YOUR VEHICLE (SEE FIG 1).**

5. INSTALL THE BULL BAR TO THE MOUNTING BRACKETS. THE WELDED TABS ON THE BULL BAR FIT ON THE OUTBOARD SIDE OF THE MOUNTING BRACKETS. FASTEN WITH THE 3/8-16 X 1-1/4 BOLTS (ITEM #5), 3/8" FLAT WASHERS (ITEM #6) (ONE ON THE BOLT SIDE, ONE ON THE NUT SIDE OF THE BRACKET), AND 3/8-16 SERRATED FLANGE NUTS (ITEM #7). ADJUST THE BULL BAR IN AND OUT AND UP AND DOWN AS NEEDED, THEN TIGHTEN THE FASTENERS.
6. TORQUE ALL BOLTS/NUTS TO 26 LB-FT.



(A LUVERNE Company)

1200 E. Birch St.

Brandon, SD 57005

REVA 20JAN16  
305018 SHEET 1 OF 3 19OCT10

**SERVICE PARTS LIST**

ITEM	PART NO.	QTY	DESCRIPTION
1	300210	1	BULL BAR, 4" TOP MNT, SST,W/O SKD PL
1	300250	1	BULL BAR, 4" TOP MNT, BLK,W/O SKD PL
1	300310	1	BULL BAR, 3" TOP MNT, SST,W/O SKD PL
1	300350	1	BULL BAR, 3" TOP MNT, BLK,W/O SKD PL
2	305020	1	MOUNTING BRACKET, RH
3	305021	1	MOUNTING BRACKET, LH
4	107211	8	FLANGE HEAD SCREW, 3/8 X 1.75, BZP
5	100047	4	HEX HEAD SCREW, 3/8-16 X 1-1/4, ZP
6	100062	8	FLAT WASHER, 3/8", ZP
7	100181	12	SERRATED FLANGE NUT, 3/8-16, ZP
8	108023	4	HEX HEAD SCREW, SELF TAP, 1/4-20, ZP
9	100170	4	NUT, PLASTIC, SQUARE, 1/4", WHITE



(A LIVERNE Company)

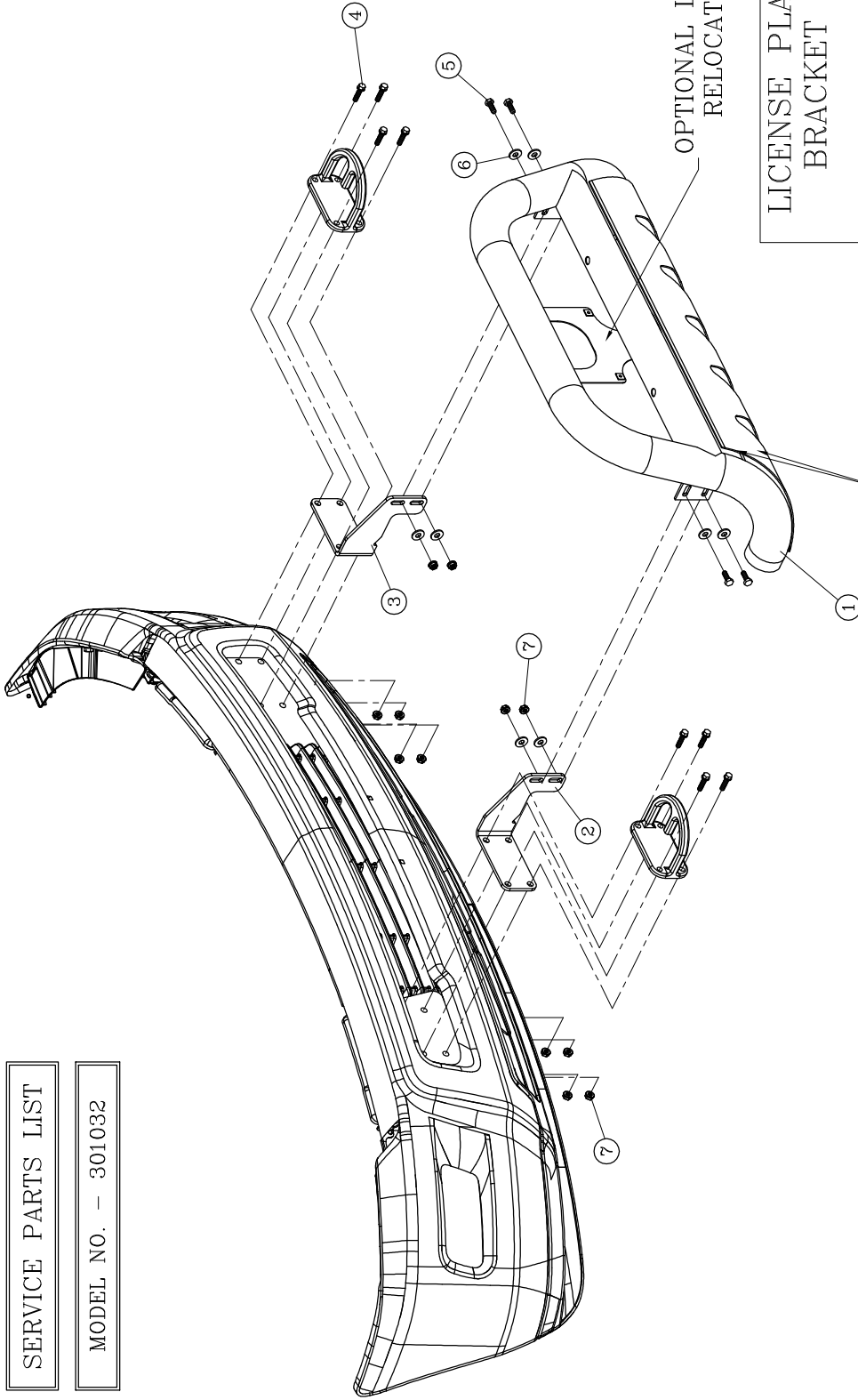
1200 E. Birch St.

Brandon, SD 57005

REVA 20JAN16  
305018 SHEET 2 OF 3 19OCT10

SERVICE PARTS LIST

MODEL NO. - 301032



OPTIONAL LICENSE PLATE  
RELOCATION BRACKET

SOLD SEPARATELY

LICENSE PLATE RELOCATION  
BRACKET INSTALLATION

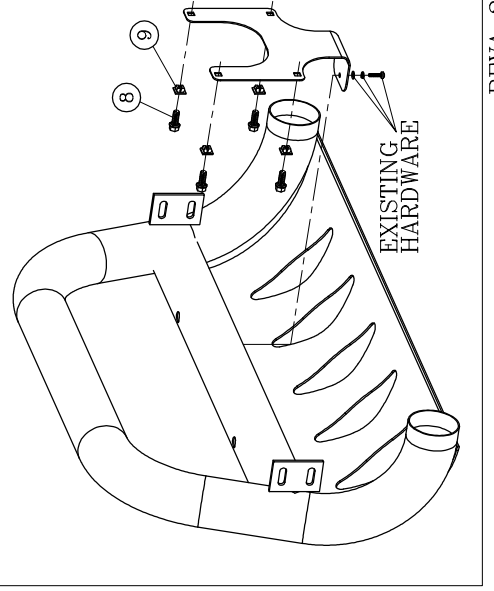


fig. 1

**LIVERNE**  
ISO9001 QS9000 CERTIFIED TRUCK  
EQUIPMENT  
INC.  
1200 Birch Street  
Brandon, SD 57005