



INSTALLATION INSTRUCTIONS FOR MOUNTING

LUVERNE BULL BARS WITH THE FOLLOWING MODEL NOS.:
300220, 300260, 300320, 300360 – BULL BAR ASSEMBLY
300921 – BRACKET PACKAGE

2004 AND NEWER FORD F-150
(EXCLUDES RAPTOR AND HERITAGE EDITIONS)

1. READ THE INSTRUCTIONS COMPLETELY AND CHECK TO MAKE SURE THAT ALL OF THE REQUIRED PARTS ARE ON HAND BEFORE STARTING THE INSTALLATION. THE CARTONS SHOULD CONTAIN:

- (1) BULL BAR
- (1) BRACKET PACKAGE:
 - (1) MOUNTING BRACKET, RH
 - (1) MOUNTING BRACKET, LH
 - (1) FASTENER PACKAGE

NOTE: IF YOUR VEHICLE IS NOT EQUIPPED WITH TOW HOOKS, MOUNTING THE BULL BAR WILL REQUIRE USING ADDITIONAL BRACKET KIT #202450 (SEE FIG 2).

2. REMOVE THE FRONT TOW HOOK BOLT AND LOOSEN THE REAR TOW HOOK BOLT (DO NOT REMOVE THE REAR BOLT). REMOVE THE TOW HOOKS (YOU WILL NOT REINSTALL THEM).
3. INSTALL THE RIGHT HAND MOUNTING BRACKET (ITEM #2) ON TO THE END OF THE FRAME BY SLIDING THE SLOT IN THE BRACKET UNDER THE REAR TOW HOOK BOLT HEAD AND INSTALLING THE FRONT TOW HOOK BOLT AS SHOWN IN FIG 1. (**NOTE: WHEN INSTALLING THE BRACKET, YOU MAY NEED TO TRIM THE TOW HOOK HOLE IN THE AIR DAM WITH WITH A UTILITY KNIFE TO MAKE ROOM FOR THE BRACKET**). LEAVE THE BOLTS FINGER TIGHT AT THIS TIME.
4. REPEAT STEP #3 ON THE LEFT SIDE.

NOTE: BASED ON YOUR STATE AND LOCAL LAWS, DETERMINE IF YOU NEED TO RELOCATE YOUR LICENSE PLATE PRIOR TO STEP #5. REMOVE/RELOCATE/INSTALL YOUR LICENSE PLATE BRACKET AND LICENSE PLATE BEFORE MOUNTING THE BULL BAR TO YOUR VEHICLE (SEE FIG 1).

5. INSTALL THE BULL BAR TO THE MOUNTING BRACKETS. THE WELDED TABS ON THE BULL BAR FIT ON THE INBOARD SIDE OF THE MOUNTING BRACKETS. FASTEN WITH THE 3/8-16 X 1-1/4 BOLTS (ITEM #4), 3/8" FLAT WASHERS (ITEM #5) (ONE ON THE BOLT SIDE, ONE ON THE NUT SIDE OF THE BRACKET), AND 3/8-16 SERRATED FLANGE NUTS (ITEM #6). ADJUST THE BULL BAR IN AND OUT AND UP AND DOWN AS NEEDED, THEN TIGHTEN THE FASTENERS. TORQUE THE BOLTS TO 26 LB-FT.
6. TORQUE THE FACTORY TOW HOOK BOLTS TO FACTORY SPECIFICATIONS.



(A LUVERNE Company)

1200 E. Birch St.

Brandon, SD 57005

REVA 20JAN16
305011 SHEET 1 OF 4 23SEPT10

SERVICE PARTS LIST

ITEM	PART NO.	QTY	DESCRIPTION
1	300220	1	BULL BAR, 4" BOT MNT, SST,W/O SKD PL
1	300260	1	BULL BAR, 4" BOT MNT, BLK,W/O SKD PL
1	300320	1	BULL BAR, 3" BOT MNT, SST,W/O SKD PL
1	300360	1	BULL BAR, 3" BOT MNT, BLK,W/O SKD PL
2	305013	1	MOUNTING BRACKET, RH
3	305014	1	MOUNTING BRACKET, LH
4	100047	4	HEX HEAD SCREW, 3/8-16 X 1-1/4, ZP
5	100062	8	FLAT WASHER, 3/8", ZP
6	100181	4	SERRATED FLANGE NUT, 3/8-16, ZP
7	108023	4	HEX HEAD SCREW, SELF TAP, 1/4-20, ZP
8	100170	4	NUT, PLASTIC, SQUARE, 1/4", WHITE



(A LIVERNE Company)

1200 E. Birch St.

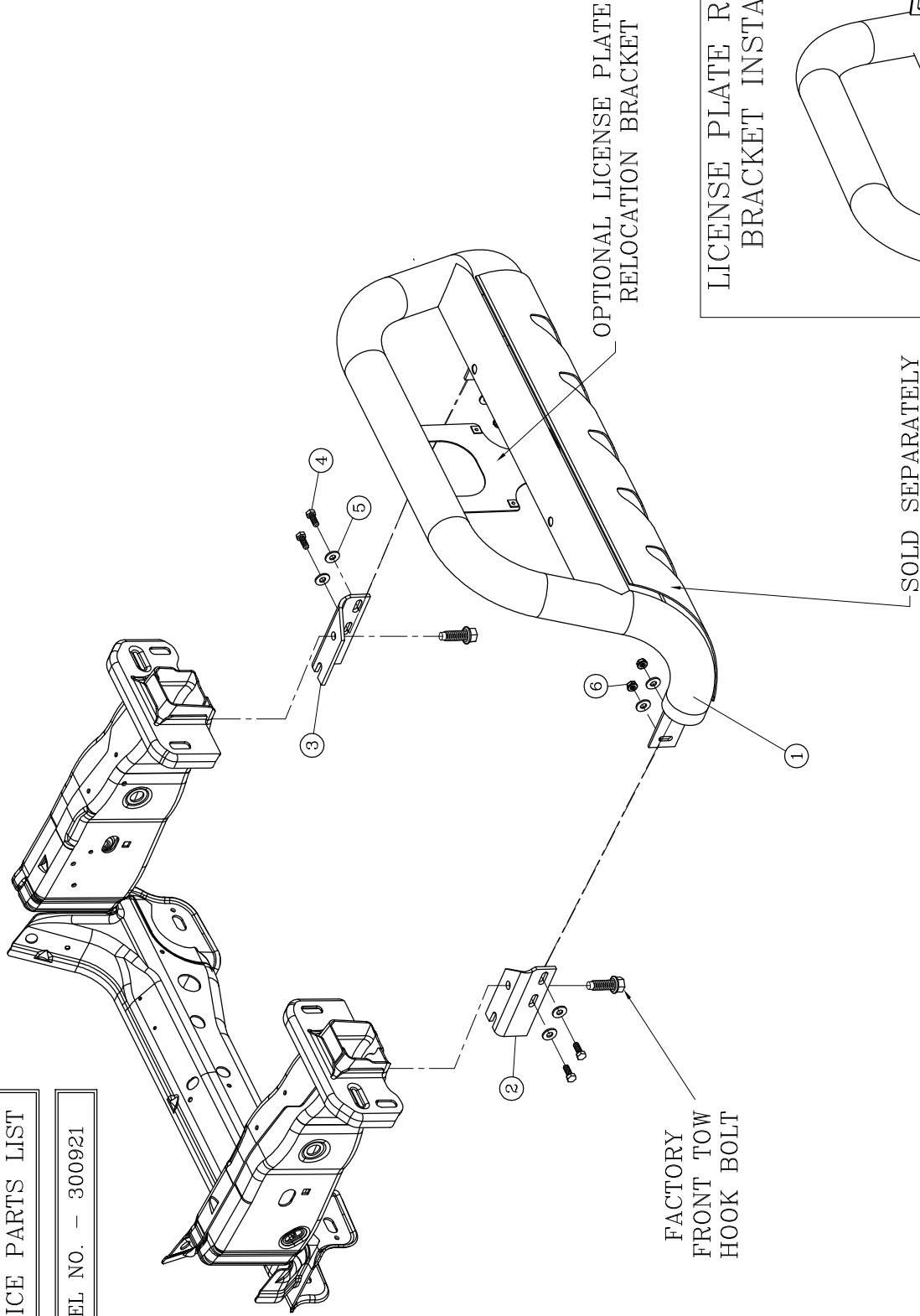
Brandon, SD 57005

REVA 20JAN16
305011 SHEET 2 OF 4 23SEPT10

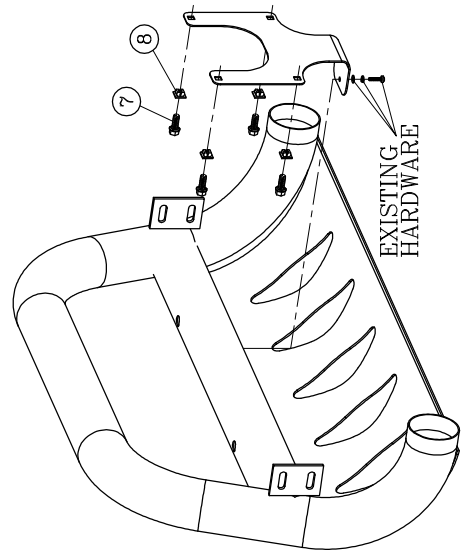
SERVICE PARTS LIST

MODEL NO. - 300921

fig. 1



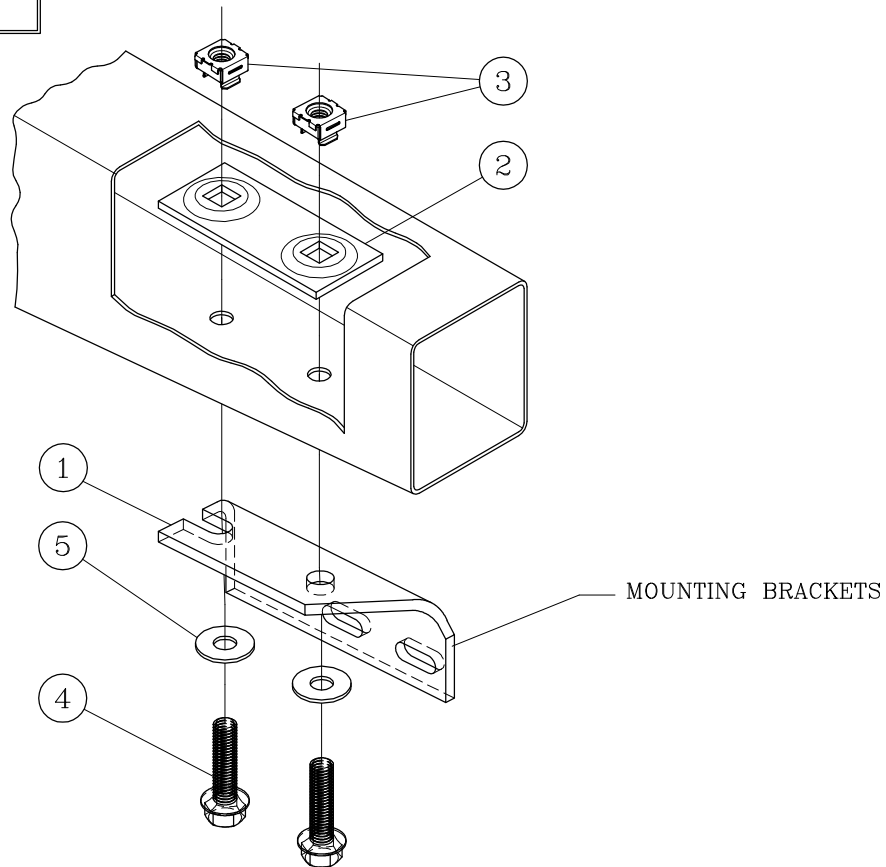
LICENSE PLATE RELOCATION
BRACKET INSTALLATION



SERVICE PARTS LIST

MODEL NO. - 300921

fig.2



ITEM	PART NO.	QTY	DESCRIPTION
1	-----	2	MOUNTING BRACKETS
2	201013	2	BOTTOM INNER FRAME MOUNTING PLATE
3	100083	4	CAPTIVE NUT - 1/2"-13
4	107383	4	HEX SERRATED FLANGE SCREW - 1/2"-13 X 2"
5	100118	4	FLAT WASHER - 1/2"

1. INSTALL 1/2"-13 CAPTIVE NUTS (ITEM #3) INTO THE BOTTOM INNER FRAME MOUNTING PLATES (ITEM #2).
2. INSERT THE INNER FRAME MOUNTING BRACKET INTO THE END OF THE FRAME WITH THE CAPTIVE NUTS TO THE TOP SIDE.
3. MOUNT THE MOUNTING BRACKET TO THE FRAME WITH THE FASTENERS PROVIDED AND AS SHOWN IN FIG. 2. (ABOVE) AND DESCRIBED IN THE BULL BAR MOUNTING INSTRUCTIONS.

LIVERNE
TRUCK EQUIPMENT

(A LIVERNE Company)

1200 E. Birch St.

Brandon, SD 57005

REVA 20JAN16
305011 SHEET 4 OF 4 23SEPT10