



INSTALLATION INSTRUCTIONS FOR MOUNTING

LUVERNE BULL BARS WITH THE FOLLOWING MODEL NOS.:
300210, 300250, 300310, 300350 – BULL BAR ASSEMBLY
301611 – BRACKET PACKAGE

2016 1500 CHEVROLET SILVERADO
2016 1500 GMC SIERRA

1. READ THE INSTRUCTIONS COMPLETELY AND CHECK TO MAKE SURE THAT ALL OF THE REQUIRED PARTS ARE ON HAND BEFORE STARTING THE INSTALLATION. THE CARTONS SHOULD CONTAIN:
 - (1) BULL BAR
 - (1) BRACKET PACKAGE:
 - (1) MOUNTING BRACKET, WELDMENT, RH
 - (1) MOUNTING BRACKET, WELDMENT, LH
 - (1) FASTENER PACKAGE
2. LOOSEN AND REMOVE THE REAR BOLTS AND NUT FROM THE LONG BOLTS AT THE FRONT OF THE FRAME THAT HOLD THE TOW HOOKS TO THE END OF THE FRAME. AFTER THE NUTS ON THE LONG BOLTS AT THE FRONT ARE REMOVED IT WILL BE NECESSARY TO CUT THE HEADS FROM THE BOLTS, AT LEAST ON THE DRIVERS SIDE OF THE CHEVROLET. BOTH HEADS WILL HAVE TO BE CUT OFF ON THE GMC IN ORDER TO GET THE BOLTS OUT OF THE FRAME. REMOVE THE TOW HOOKS AND THE FOAM COVERS ATTACHED TO THEM
3. INSTALL THE RIGHT HAND MOUNTING BRACKET (ITEM #2) INTO THE END OF THE FRAME AS SHOWN IN FIG 1. (**NOTE: WHEN INSTALLING THE BRACKET, YOU MAY NEED TO TRIM THE TOW HOOK HOLE IN THE AIR DAM WITH A UTILITY KNIFE TO MAKE ROOM FOR THE BRACKET**). FASTEN WITH THE 7/16-14 X 1-1/4 BOLTS (ITEM #7) AND 7/16" FLAT WASHERS (ITEM #8). ADJUST THE BRACKETS IF NEEDED SO THEY ARE BOTH THE SAME HEIGHT FROM THE GROUND IN FRONT OF THE BUMPER AND TORQUE THE BOLTS TO 42 LB-FT.
4. REPEAT STEP #3 ON THE LEFT SIDE (**NOTE: BOTH BRACKETS MOUNT IN THE INSIDE OF THE FRAME TUBES. THE RIGHT SIDE BRACKET MOUNTS TO THE OUTBOARD RAIL WHILE THE LEFT SIDE MOUNTS TO THE INBOARD RAIL**).

NOTE: BASED ON YOUR STATE AND LOCAL LAWS, DETERMINE IF YOU NEED TO RELOCATE YOUR LICENSE PLATE PRIOR TO STEP #5. REMOVE/RELOCATE/INSTALL YOUR LICENSE PLATE BRACKET AND LICENSE PLATE BEFORE MOUNTING THE BULL BAR TO YOUR VEHICLE (SEE FIG 1).

5. INSTALL THE BULL BAR TO THE MOUNTING BRACKETS. THE WELDED TABS ON THE BULL BAR FIT ON THE OUTBOARD SIDE OF THE MOUNTING BRACKETS. FASTEN WITH THE 3/8-16 X 1-1/4 BOLTS (ITEM #4), 3/8" FLAT WASHERS (ITEM #5) (ONE ON THE BOLT SIDE, ONE ON THE NUT SIDE OF THE BRACKET), AND 3/8-16 SERRATED FLANGE NUTS (ITEM #6). ADJUST THE BULL BAR IN AND OUT AND UP AND DOWN AS NEEDED, THEN TIGHTEN THE FASTENERS. TORQUE THE BOLTS TO 26 LB-FT.



(A LUVERNE Company)

1200 E. Birch St.

Brandon, SD 57005

REV A
305090 SHEET 1 OF 3 18NOV15

SERVICE PARTS LIST

ITEM	PART NO.	QTY	DESCRIPTION
1	300210	1	BULL BAR, 4" TOP MNT, SST,W/O SKD PL
1	300250	1	BULL BAR, 4" TOP MNT, BLK,W/O SKD PL
1	300310	1	BULL BAR, 3" TOP MNT, SST,W/O SKD PL
1	300350	1	BULL BAR, 3" TOP MNT, BLK,W/O SKD PL
2	305089	1	MOUNTING BRACKET, WELDMNT, RH
3	305088	1	MOUNTING BRACKET, WELDMNT, LH
4	100047	4	HEX HEAD SCREW, 3/8-16 X 1-1/4, ZP
5	100062	8	FLAT WASHER, 3/8", ZP
6	100181	4	SERRATED FLANGE NUT, 3/8-16, ZP
7	100069	4	HEX HEAD SCREW, 7/16-14 X 1-1/4, ZP
8	100081	4	FLAT WASHER, 7/16", ZP
9	108023	4	HEX HEAD SCREW, SELF TAP, 1/4-20, ZP
10	100170	4	NUT, PLASTIC, SQUARE, 1/4", WHITE



(A LIVERNE Company)

1200 E. Birch St.

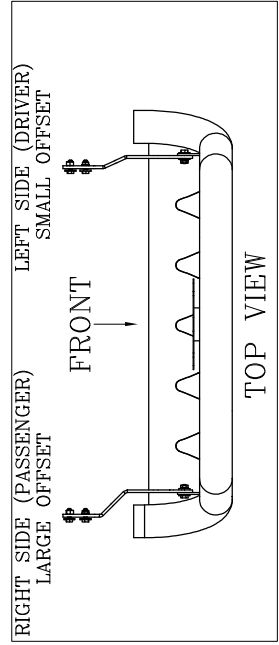
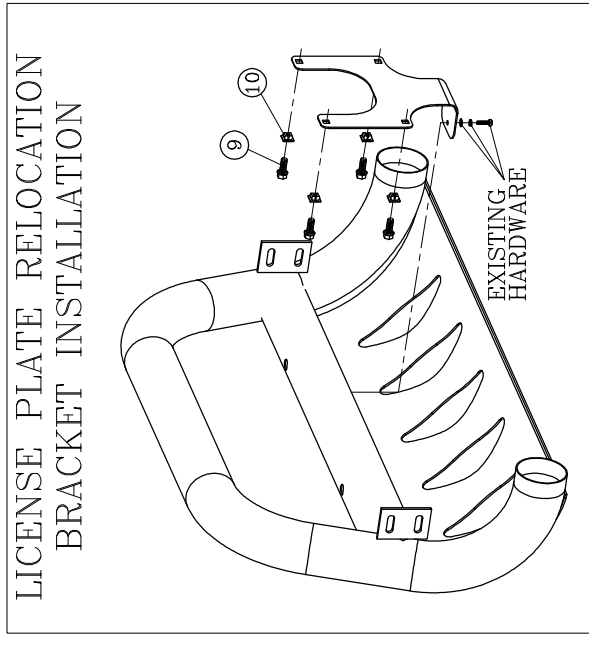
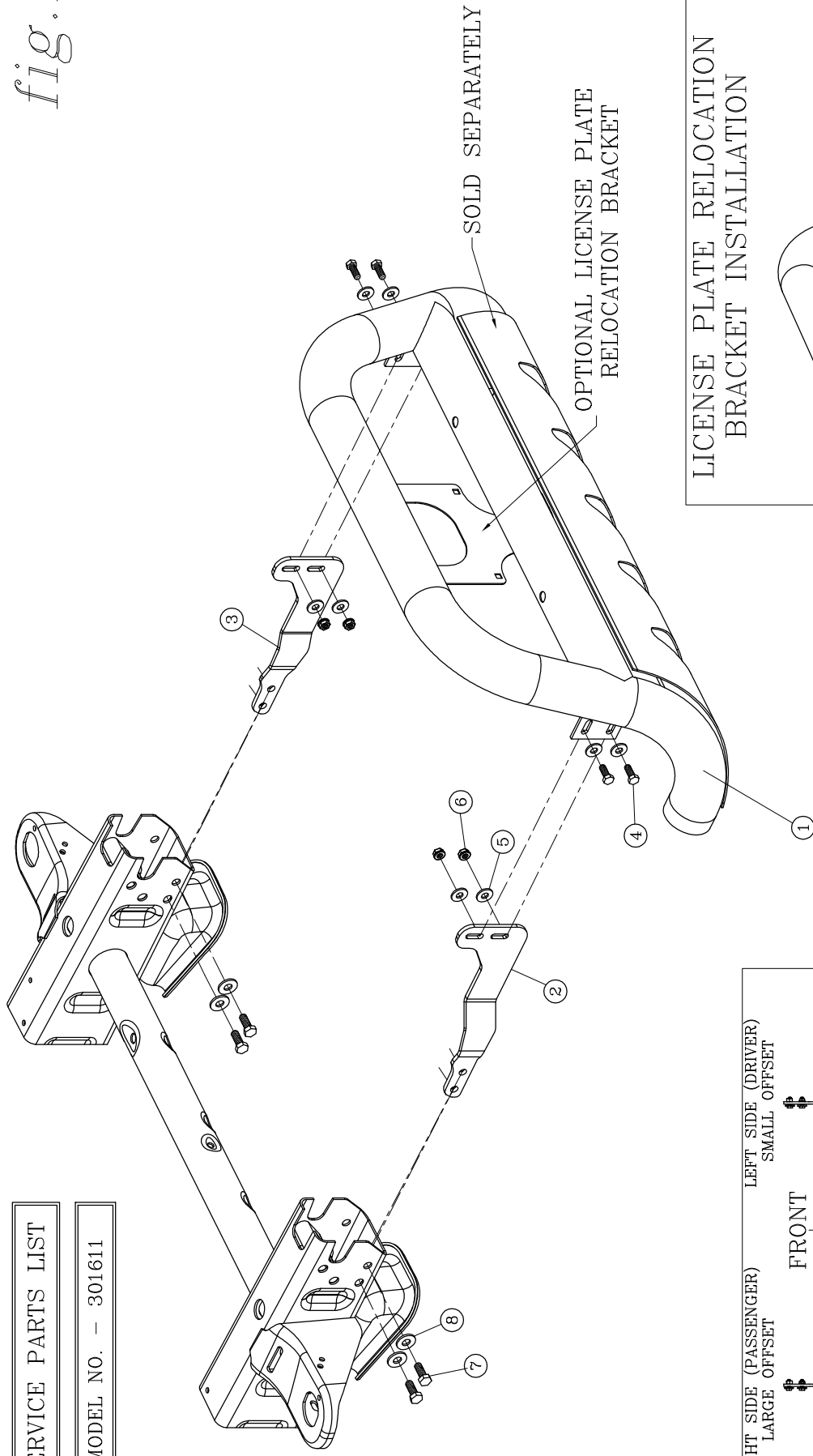
Brandon, SD 57005

REV A
305090 SHEET 2 OF 3 18NOV15

SERVICE PARTS LIST

MODEL NO. - 301611

fig. 1



LIVERNE
ISQ9001 QS9000 CERTIFIED TRUCK
EQUIPMENT
INC.
1200 Birch Street
Brandon, SD 57005