



## INSTALLATION INSTRUCTIONS FOR MOUNTING

LUVERNE BULL BARS WITH THE FOLLOWING MODEL NOS.:  
300210, 300250, 300310, 300350 – BULL BAR ASSEMBLY  
301520 – BRACKET PACKAGE

2015 AND NEWER FORD F-150  
(EXCLUDES RAPTOR AND HERITAGE EDITIONS)

1. READ THE INSTRUCTIONS COMPLETELY AND CHECK TO MAKE SURE THAT ALL OF THE REQUIRED PARTS ARE ON HAND BEFORE STARTING THE INSTALLATION. THE CARTONS SHOULD CONTAIN:
  - (1) BULL BAR
  - (1) BRACKET PACKAGE:
    - (1) MOUNTING BRACKET, RH
    - (1) MOUNTING BRACKET, LH
    - (1) FASTENER PACKAGE

**NOTE: IF YOUR VEHICLE IS NOT EQUIPPED WITH TOW HOOKS, MOUNTING THE BULL BAR WILL REQUIRE USING ADDITIONAL BRACKET KIT #202450 (SEE *fig. 2*).**

2. REMOVE THE RUBBER BOOTS SURROUNDING THE TOW HOOKS BY PULLING THE BACK AND SIDES OF THE BOOT OUT AND DOWN FROM THE LOWER AIR DAM. IF YOU LOOSEN THE SCREWS THAT HOLD THE LOWER AIR DEFLECTOR IT WILL MAKE IT EASIER TO REMOVE THE BOOTS.
3. LOOSEN AND REMOVE THE FRONT BOLTS THAT SECURE THE TOW HOOKS TO THE FRAME. LOOSEN THE REAR BOLTS THAT SECURE THE TOW HOOK TO THE FRAME. REMOVE THE TOW HOOKS, YOU WILL NOT REINSTALL THEM.
4. INSTALL THE MOUNTING BRACKETS (ITEM #2 & #3) ON TO THE END OF THE FRAME BY SLIDING THE SLOTS IN THE BRACKETS UNDER THE REAR TOW HOOK BOLT HEAD AND INSTALLING THE FRONT TOW HOOK BOLTS AS SHOWN IN *fig. 1*. LEAVE THE BOLTS FINGER TIGHT AT THIS TIME.

**NOTE: BASED ON YOUR STATE AND LOCAL LAWS, DETERMINE IF YOU NEED TO RELOCATE YOUR LICENSE PLATE PRIOR TO STEP #5. REMOVE/RELOCATE/INSTALL YOUR LICENSE PLATE BRACKET AND LICENSE PLATE BEFORE MOUNTING THE BULL BAR TO YOUR VEHICLE (SEE *fig.1*).**

5. INSTALL THE BULL BAR TO THE MOUNTING BRACKETS. THE WELDED TABS ON THE BULL BAR FIT ON THE INBOARD SIDE OF THE MOUTING BRACKETS. FASTEN WITH THE 3/8"-16 X 1" BOLTS (ITEM #4), 3/8" FLAT WASHERS (ITEM #6), 3/8" LOCK WASHERS (ITEM #7), AND 3/8-16 ACORN NUTS (ITEM #5). ADJUST THE BULL BAR IN AND OUT AND UP AND DOWN AS NEEDED, THEN TIGHTEN THE FASTENERS.
6. TORQUE THE FACTORY TOW HOOK BOLTS TO FACTORY SPECIFICATIONS.



(A LUVARNE Company)

1200 E. Birch St.

Brandon, SD 57005

REV A  
305082 SHEET 1 OF 3 16FEB15

**SERVICE PARTS LIST**

ITEM	PART NO.	QTY	DESCRIPTION
1	300210	1	BULL BAR, 4" TOP MNT, SST,W/O SKD PL
1	300250	1	BULL BAR, 4" TOP MNT, BLK,W/O SKD PL
1	300310	1	BULL BAR, 3" TOP MNT, SST,W/O SKD PL
1	300350	1	BULL BAR, 3" TOP MNT, BLK,W/O SKD PL
2	305079	1	MOUNTING BRACKET - LH
3	305080	1	MOUNTING BRACKET - RH
4	109546	4	CARRIAGE BOLT - 3/8"-16 X 1", BZP
5	101311	4	ACORN NUT - 3/8"-16, BZP
6	101383	4	FLAT WASHER - 3/8", BZP
7	102664	4	LOCK WASHER - 3/8", BZP
8	108023	4	HEX HEAD SCREW - SELF TAP, 1/4"-20, ZP
9	100170	4	NUT - PLASTIC, SQUARE, 1/4", WHITE
10	100252	1	LOGO/SERIAL # DECAL



(A LIVERNE Company)

1200 E. Birch St.

Brandon, SD 57005

REV A  
305082 SHEET 2 OF 3 16FEB15

SERVICE PARTS DRAWING

MODEL NO. - 301520/300010

BRACKET KIT #202450 IS REQUIRED WHEN INSTALLING A GRILLE GUARD WITH NO TOW HOOKS. THIS KIT CONTAINS INSIDE THE FRAME MOUNTING PLATES AND FASTENERS NEEDED WHEN TOW HOOK ARE NOT PRESENT.

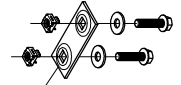


fig.2

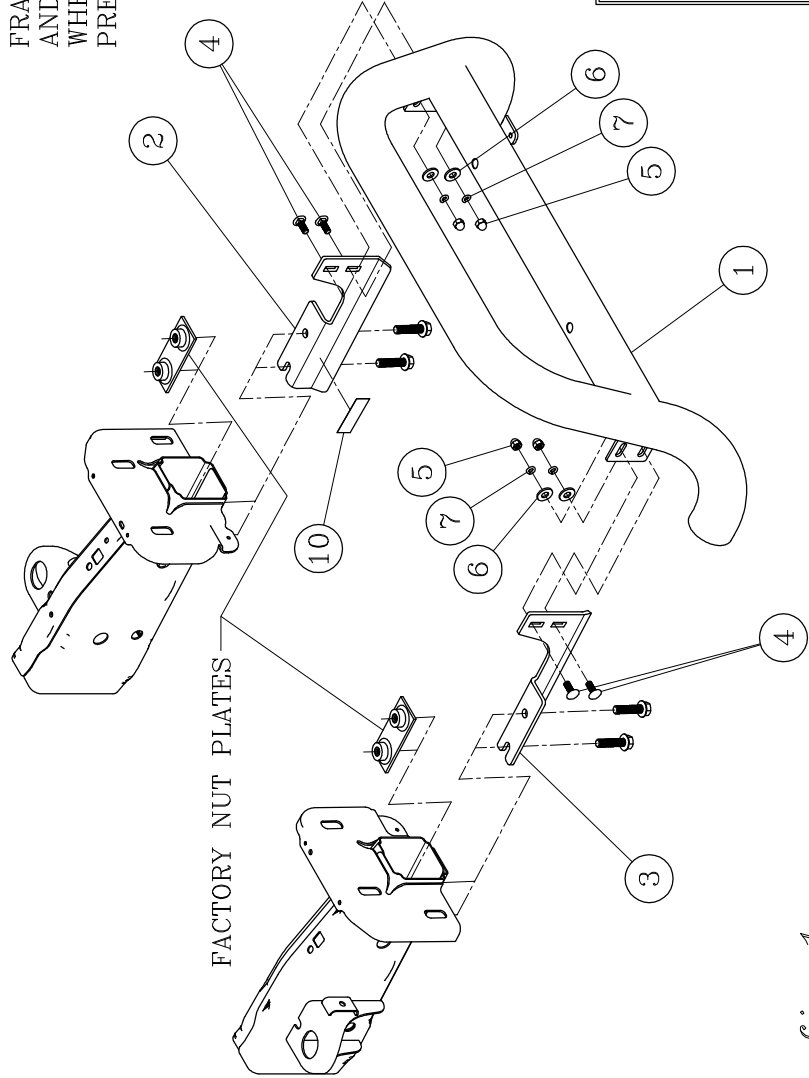
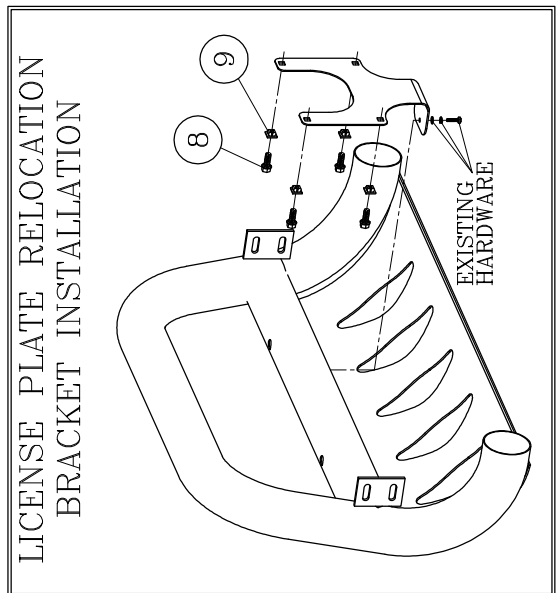


fig.1



1200 E. Birch St  
Brentwood, SD 57005