



INSTALLATION INSTRUCTIONS FOR MOUNTING

LUVERNE BULL BARS WITH THE FOLLOWING MODEL NOS.:
300210, 300250, 300310, 300350 – BULL BAR ASSEMBLY
300822 – BRACKET PACKAGE

2005 AND NEWER FORD F-250/350
SUPER DUTY PICKUPS

1. READ THE INSTRUCTIONS COMPLETELY AND CHECK TO MAKE SURE THAT ALL OF THE REQUIRED PARTS ARE ON HAND BEFORE STARTING THE INSTALLATION. THE CARTONS SHOULD CONTAIN:
 - (1) BULL BAR
 - (1) BRACKET PACKAGE:
 - (2) MOUNTING BRACKETS, LH/RH
 - (1) FASTENER PACKAGE
2. REMOVE THE RIGHT HAND FRONT BUMPER BOLTS. BE SURE TO KEEP THE FACTORY BOLTS AND FASTENER PLATE AS YOU WILL REUSE THEM WHEN YOU INSTALL THE BULL BAR BRACKETS.
3. INSTALL THE RIGHT HAND MOUNTING BRACKET (ITEM #2) AS SHOWN IN FIG. 1 USING THE FACTORY HARDWARE. LEAVE THE BOLTS FINGER TIGHT AT THIS TIME.
4. REPEAT STEP #3 ON THE LEFT SIDE (IN SOME CASES YOU MAY NEED TO SHIFT THE BUMPER TO ONE SIDE OR THE OTHER SLIGHTLY SO THAT THE BRACKETS DO NOT INTERFERE WITH THE TOW HOOK WINDOWS IN THE BUMPER).

NOTE: BASED ON YOUR STATE AND LOCAL LAWS, DETERMINE IF YOU NEED TO RELOCATE YOUR LICENSE PLATE PRIOR TO STEP #5. REMOVE/RELOCATE/INSTALL YOUR LICENSE PLATE BRACKET AND LICENSE PLATE BEFORE MOUNTING THE BULL BAR TO YOUR VEHICLE (SEE FIG 1).

5. INSTALL THE BULL BAR TO THE MOUNTING BRACKETS. IN MOST CASES THE WELDED TABS ON THE BULL BAR FIT ON THE OUTBOARD SIDE OF THE MOUNTING BRACKETS. ON CERTAIN MODEL YEARS, THE BULL BAR TABS MAY NEED TO MOUNT TO THE INBOARD SIDE OF THE MOUNTING BRACKETS, SO THE BRACKETS DO NOT INTERFERE WITH THE TOW HOOK WINDOWS IN THE BUMPER. FASTEN WITH THE 3/8-16 X 1-1/4 BOLTS (ITEM #3), 3/8" FLAT WASHERS (ITEM #4) (ONE ON THE BOLT SIDE, ONE ON THE NUT SIDE OF THE BRACKET), AND 3/8-16 SERRATED FLANGE NUTS (ITEM #5). ADJUST THE BULL BAR IN AND OUT AND UP AND DOWN AS NEEDED, THEN TIGHTEN THE FASTENERS. TORQUE THE BOLTS TO 26 LB-FT.
6. TORQUE THE FACTORY BUMPER BOLTS TO FACTORY SPECIFICATIONS.



(A LUVERNE Company)

1200 E. Birch St.

Brandon, SD 57005

REVA 20JAN16
305015 SHEET 1 OF 3 15OCT10

SERVICE PARTS LIST

ITEM	PART NO.	QTY	DESCRIPTION
1	300210	1	BULL BAR, 4" TOP MNT, SST,W/O SKD PL
1	300250	1	BULL BAR, 4" TOP MNT, BLK,W/O SKD PL
1	300310	1	BULL BAR, 3" TOP MNT, SST,W/O SKD PL
1	300350	1	BULL BAR, 3" TOP MNT, BLK,W/O SKD PL
2	305017	2	MOUNTING BRACKET, LH/RH
3	100047	4	HEX HEAD SCREW, 3/8-16 X 1-1/4, ZP
4	100062	8	FLAT WASHER, 3/8", ZP
5	100181	4	SERRATED FLANGE NUT, 3/8-16, ZP
6	108023	4	HEX HEAD SCREW, SELF TAP, 1/4-20, ZP
7	100170	4	NUT, PLASTIC, SQUARE, 1/4", WHITE



(A LIVERNE Company)

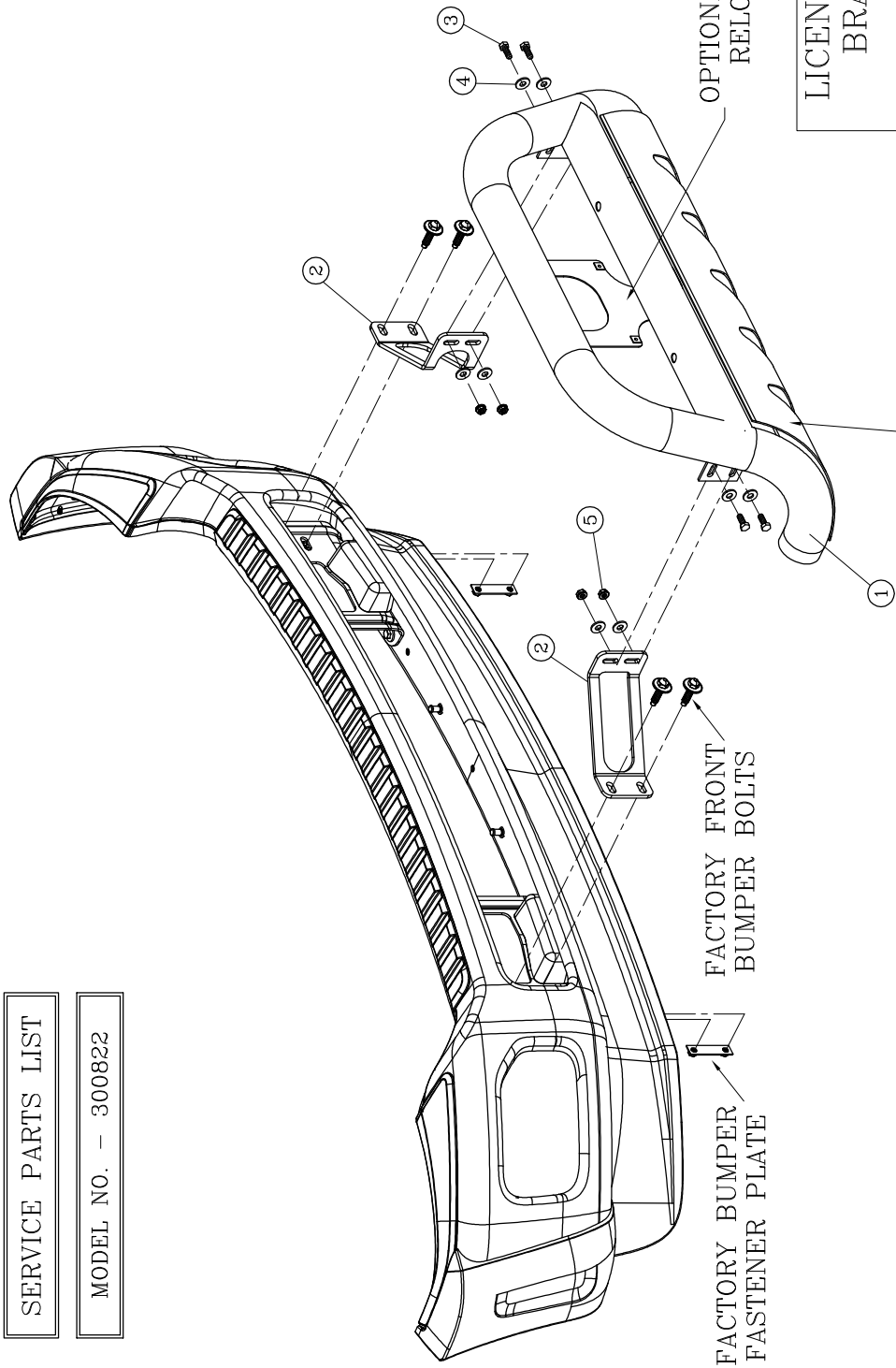
1200 E. Birch St.

Brandon, SD 57005

REVA 20JAN16
305015 SHEET 2 OF 3 15OCT10

SERVICE PARTS LIST

MODEL NO. - 300822



SOLD SEPARATELY

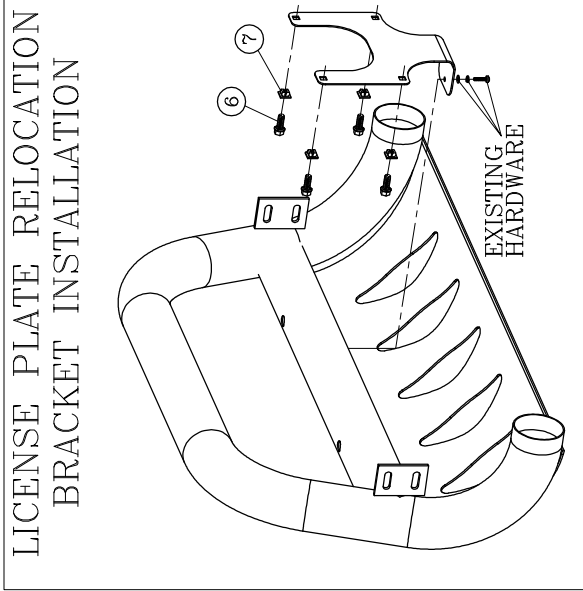


fig. 1