

## INSTALLATION INSTRUCTIONS AND PARTS LIST

VEHICLE APPLICATION:

**MODEL 250744 (20.25" X 23.00") DUAL WHEEL MUDGUARDS**

2007 AND NEWER GM SILVERADO/ SIERRA 3500 HD SERIES DUAL WHEEL TRUCKS

1. READ INSTRUCTIONS COMPLETELY AND CHECK TO MAKE SURE THAT ALL REQUIRED PARTS (LISTED ON SERVICE PARTS LIST) ARE ON HAND BEFORE STARTING THE INSTALLATION.
  
2. PREPARE THE VEHICLE FOR MUDGUARD INSTALLATION AS FOLLOWS:
  - 2.1. REMOVE THE FACTORY FENDER STIFFENER BRACE SCREW. (THIS FASTENER IS REUSED IN THIS INSTALLATION).
  - 2.2. REMOVE THE TWO FACTORY WHEEL WELL FLANGE SCREWS. (THESE FASTENERS ARE NOT REUSED IN THIS INSTALLATION).

**MOUNTING 250744 DUAL MUDGUARDS:** (SEE SHEET #2)

3. INSTALL THE MUDGUARDS AS FOLLOWS:
  - 3.1. ATTACH THE MOUNTING BRACKET (ITEM #2) TO THE MUDGUARDS. USING A 1/4-20 X 1" CARRIAGE BOLT (ITEM #3), 5/16" FLAT WASHER (ITEM #4), 1/4-20 SERRATED FLANGE NUT (ITEM #5), AND 1/4" FENDER WASHER (ITEM #7).
  - 3.2. POSITION THE MUDGUARD AGAINST THE WHEEL WELL FLANGE AND RE-INSTALL THE FACTORY STIFFENER BRACE SCREW THRU THE MOUNTING BRACKET AS SHOWN.
  - 3.3. INSTALL M6-1.0 X 30MM BTN HD SOC SCREWS (ITEM #6) AND 1/4" FENDER WASHER (ITEM #7) AS SHOWN. (USE THE HOLES IN THE MUDGUARD AS SHOWN).
  - 3.4. MOVE THE MUDGUARDS IN OR OUT AS DESIRED, LEVEL THE MUDGUARDS AND TIGHTEN THE FASTENERS.



(A LIVERNE Company)

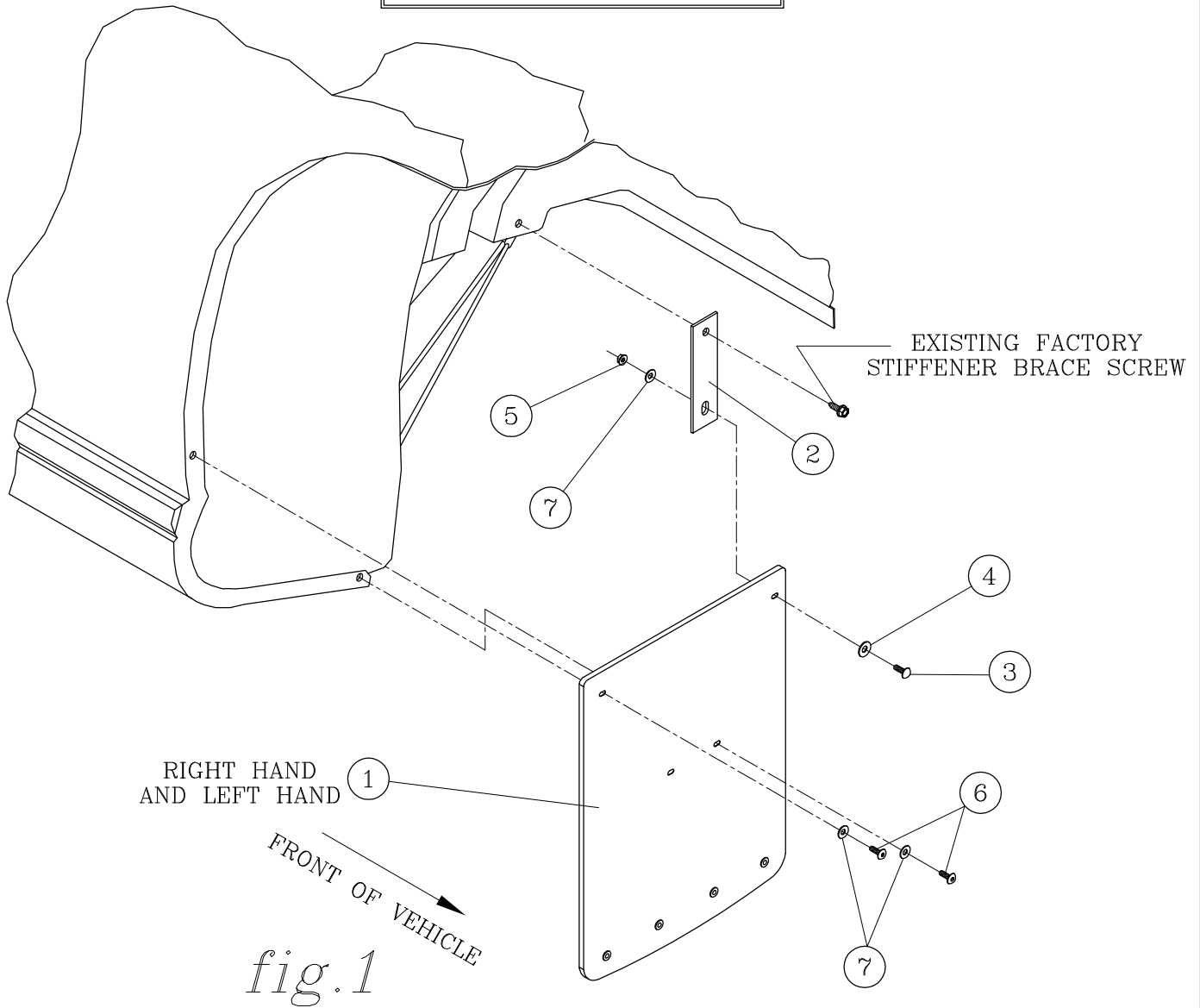
1200 E. Birch St.

Brandon, SD 57005

REVISED 27JUL09 LVL A  
550199 SHEET 1 OF 2 08SEP08

SERVICE PARTS LIST

2007 GM SILV/SIERRA DUALY  
MODEL NO. - 250744



RIGHT (PASSENGER) SIDE SHOWN

ITEM	PART NO.	QTY	DESCRIPTION
1	550198	2	MUDGUARD - RUBBER,20 X 23,GM SILV/SIERRA DUALY
2	549993	2	BRACKET - MOUNTING,LH/RH 500744
3	103135	2	BOLT - CARRIAGE, SST, 1/4-20 X 1.00"
4	102734	2	WASHER - FLAT,SST,.375X.875X.083
5	102366	2	NUT - HEX, SERRATED FLANGE,SST,1/4-20
6	106640	4	SCREW - BTN HD SOC, SST, M6 X 1.00 X 30MM
7	108521	6	WASHER - FENDER, 1/4 X 1, SST, 18-8, BZP

**LUPERNE**  
TRUCK EQUIPMENT

(A LUPERNE Company)

1200 E. Birch St.

Brandon, SD 57005

REVISED 27JUL09 LVL A  
550199 SHEET 2 OF 2 08SEP08