

## INSTALLATION INSTRUCTIONS AND PARTS LIST

### VEHICLE APPLICATION:

**MODEL 250334 (20.25" X 23.00") DUAL WHEEL MUDGUARDS**  
2003 AND NEWER DODGE RAM DUAL WHEEL TRUCKS

1. READ INSTRUCTIONS COMPLETELY AND CHECK TO MAKE SURE THAT ALL REQUIRED PARTS (LISTED ON SERVICE PARTS LIST) ARE ON HAND BEFORE STARTING THE INSTALLATION.
  
2. PREPARE THE VEHICLE FOR MUDGUARD INSTALLATION AS FOLLOWS:
  - 2.1. THE INBOARD METALLIC WHEEL WELL FLANGE IS LOCATED BEHIND THE URETHANE WHEEL WELL LINER. USING THE LOWER TWO HOLES IN THIS WHEEL WELL FLANGE AS PILOTS, DRILL (2) 9/32" DIA. HOLES THRU THE WHEEL WELL LINER. (THIS DRILLING IS DONE UNDER THE TRUCK AND FROM THE REAR).
  - 2.2. REMOVE THE TWO FACTORY WHEEL WELL LINER RETAINER SCREWS FROM THE OUTBOARD FLANGE OF THE PLASTIC DUALY FENDER. (THESE FASTENERS ARE NOT REUSED).

### **MOUNTING 250334 MUDGUARDS: (SEE SHEET #2)**

3. INSTALL THE MUDGUARDS AS FOLLOWS:
  - 3.1. POSITION THE MUDGUARD AGAINST THE PLASTIC FENDER FLANGE AND URETHANE WHEEL WELL LINER SO THAT THE HOLES IN THE MUDGUARD LINE UP WITH THE FACTORY HOLES IN THE DUALY FENDER FLANGE AS SHOWN. INSTALL (2) M4.8 X 25mm HEX HEAD SCREWS (ITEM #3) INTO THE FACTORY HOLES. (LEAVE THESE FASTENERS FINGER TIGHT).
  - 3.2. INSTALL (2) 1/4-20 X 1-1/4" BUTTON HEAD SOCKET SCREWS (ITEM #4) WITH FENDER WASHERS (ITEM #2) THRU THE MUDGUARDS AND THRU THE HOLES THAT WERE DRILLED PER INSTRUCTION 2.1 AS SHOWN. INSTALL 1/4-20 SERRATED FLANGE NUTS (ITEM #5). (LEAVE THESE FASTENERS FINGER TIGHT.)
  - 3.3. MOVE THE MUDGUARDS IN OR OUT AS DESIRED, LEVEL THE MUDGUARDS AND TIGHTEN ALL FASTENERS.
  - 3.4. USING THE TOP INBOARD SLOTTED HOLE, IN THE MUDGUARD, AS A PILOT, DRILL A 9/32" DIA. HOLE THRU THE WHEEL WELL LINER. INSTALL AND TIGHTEN (1) 1/4-20 X 1-1/4" BUTTON HEAD SOCKET SCREW, TWO 1/4" FENDER WASHERS AND (1) 1/4-20 FLANGE NUT AS SHOWN.



(A LUVERNE Company)

1200 E. Birch St.

Brandon, SD 57005

REVISED 27JUL09 LVL A  
550202 SHEET 1 OF 2 08SEP08

SERVICE PARTS LIST

2003 DODGE RAM DUALY  
MODEL NO. - 250334

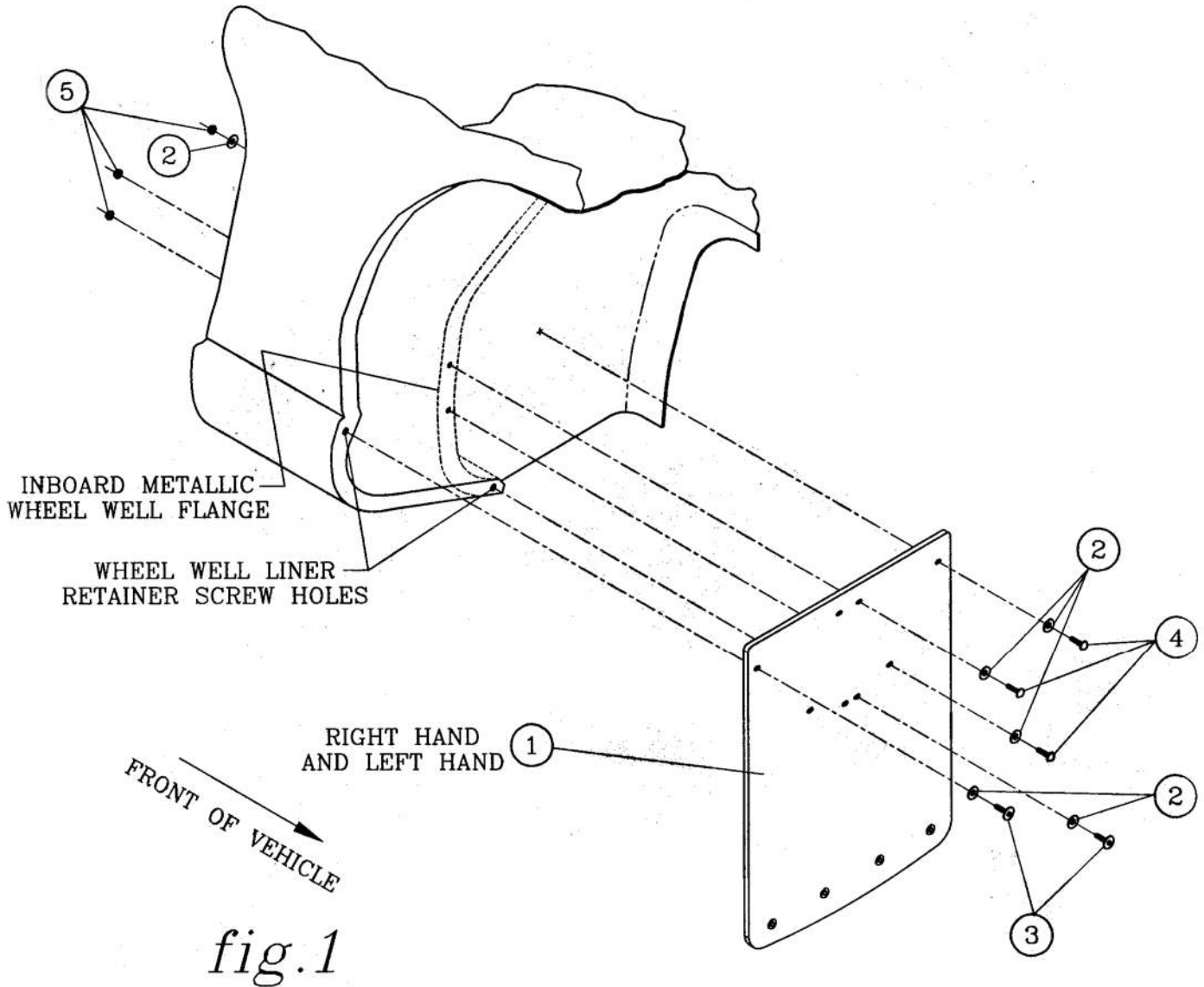


fig.1

RIGHT (PASSENGER) SIDE SHOWN

ITEM	PART NO.	QTY	DESCRIPTION
1	550201	2	MUDGUARD-RUBBER,20 X 23,DODGE RAM DUALY
2	108521	12	WASHER- FENDER, 1/4 X 1, SST, 18-8, BZP
3	106638	4	SCREW-SEMS, HEX HD,TYPE B,M4.8 X 25mm,BZP
4	108053	6	SCR-BTN HD SOC,1/4-20 X 1-1/4", BZP
5	102366	6	NUT-HEX, SERRATED FLANGE,SST,1/4-20

**LIVERNE**  
TRUCK EQUIPMENT

(A LIVERNE Company)

1200 E. Birch St.

Brandon, SD 57005

REVISED 27JUL09 LVL A  
550202 SHEET 2 OF 2 08SEP08