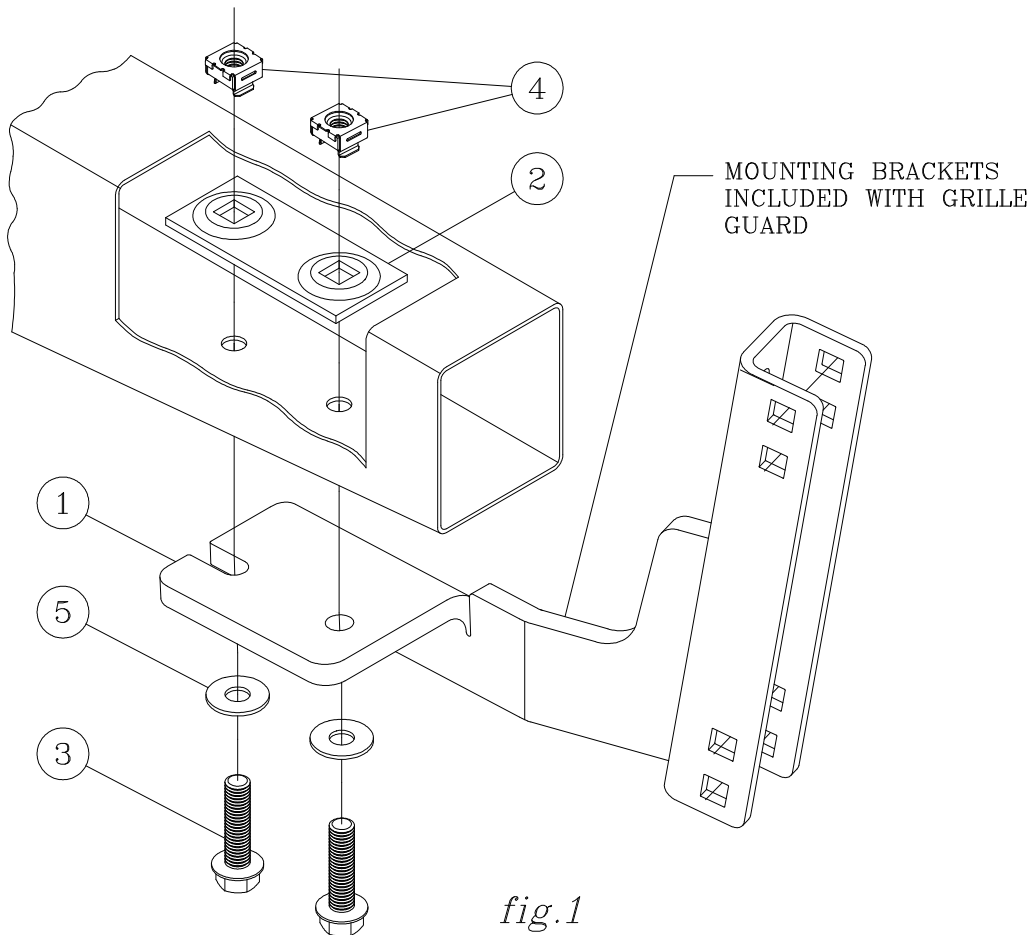


MOUNTING INSTRUCTIONS AND PARTS LIST FOR MODEL 202450 BRACKET KIT

1. INSTALL ½”-13CAPTIVE NUTS (ITEM #3) INTO THE FRAME MOUNTING PLATES (ITEM #2)
2. INSERT THE INNER FRAME MOUNTING BRACKETS INTO THE END OF THE FRAME WITH THE CAPTIVE NUTS TO THE TOP SIDE.
3. MOUNT THE BOTTOM FRAME MOUNTING BRACKETS TO THE FRAME WITH THE FASTENERS PROVIDED AND AS SHOWN IN FIG. 1 BELOW AND DESCRIBED IN THE GRILLE GUARD MOUNTING INSRUCTIONS.



ITEM	PART NO.	QTY	DESCRIPTION
1	-----	2	RIGHT AND LEFT MOUNTING BRACKET
2	201013	2	BOTTOM INNER FRAME MOUNTING BRACKET
3	104249	4	SCREW – HEX SERRATED FLANGE, ½-13 X 2
4	107383	4	NUT – CAPTIVE, ½-13
5	100118	4	WASHER – FLAT, ½”, ZP

LIVERNE
TRUCK EQUIPMENT

(A LIVERNE Company)

1200 E. Birch St.

Brandon, SD 57005

202451 SHEET 1 OF 1 20JUN08