



INSTALLATION INSTRUCTIONS FOR MOUNTING

LUVERNE GRILL GUARD WITH THE FOLLOWING MODEL NO.:
331134/202175 & 341134/202197 ON:
2011 AND NEWER DODGE RAM 4500/5500

1. READ THE INSTRUCTIONS COMPLETELY AND CHECK TO MAKE SURE THAT ALL OF THE REQUIRED PARTS ARE ON HAND BEFORE STARTING THE INSTALLATION. THE INSTALLATION REQUIRES:

(1) RING PACKAGE:

(1) CENTER RING ASSEMBLY

(1) UPRIGHT/BRACKET PACKAGE:

(1) UPRIGHT ASSEMBLY, RH

(1) UPRIGHT ASSEMBLY, LH

(2) TOP MOUNTING BRACKETS

(1) FRAME MOUNTING BRACKET ANGLE

(2) UPRIGHT COVERS (**CHROME GUARDS ONLY**)

(1) HARDWARE PACKAGE

(1) CUSTOMER SERVICE PACKAGE

REFER TO SHEETS #1 - #5 FOR GUARD ASSEMBLY & INSTALLATION INSTRUCTIONS 2-12

2. INSTALL THE TOP MOUNTING BRACKETS (ITEM #4) TO THE PLATES ON THE END OF THE FRAME USING THE FOUR 3/8"-16 X 1-3/4" WASHER HEAD BOLTS (ITEM #13) AND THE FOUR 3/8"-16 FLANGE NUTS (ITEM #16) AS SHOWN IN *Fig. 1 & 2*. HAND TIGHTEN ONLY AT THIS TIME.
3. INSTALL THE MOUNTING BRACKET ANGLE (ITEM #5), TO THE BOTTOM OF THE TOW HOOK BRACKETS THAT HANG DOWN FROM THE BOTTOM OF THE FRAME, WITH THE 5/8"-11 X 2" HEX BOLTS (ITEM #22), 5/8" FLAT WASHERS (ITEM #24), 5/8" LOCK WASHERS (ITEM #25) AND A 5/8"-11 HEX NUTS (ITEM #23). LEAVE THE FASTENERS LOOSE AT THIS TIME.
4. ON THE 1/2" X 13" STUDS (ITEM #9), INSTALL A 1/2"-13 FLANGE NUT (ITEM #15) WITH THE FLANGE FACING OUT AND A 1/2" FLAT WASHER (ITEM #18) ON EACH END OF THE STUDS. INSERT THE ASSEMBLED STUD THROUGH THE HOLE IN THE LOWER PLASTIC FASCIA AND INTO THE SLOT IN THE FRAME MOUNTING BRACKET ANGLE. INSTALL A 1/2" FLAT WASHER (ITEM #18) AND A 1/2"-13 FLANGE NUT (ITEM #15) ON THE END OF EACH STUD. LEAVE LOOSE AT THIS TIME.
5. SET THE UPRIGHT ASSEMBLIES (ITEM #2) AND (ITEM #3) ONTO THE UPPER MOUNTING BRACKETS SO THAT THE TOP MOUNTING BRACKET IS ON THE INSIDE OF THE UPRIGHT, AT THE SAME TIME MAKE SURE THAT THE END OF THE STUD IS INSERTED INTO THE HOLE IN THE BOTTOM PLATE IN THE UPRIGHT. INSTALL TWO 7/16"-14 X 1-1/4" STAINLESS HEX HEAD BOLTS (ITEM #12) INTO THE SIDE OF THE UPRIGHTS AND INTO THE TOP MOUNTING BRACKETS (ITEM #4) (**NOTE: IF THE BOLTS DO NOT ALREADY HAVE THREADLOCKER IT IS RECOMMENDED THAT YOU USE SOME LOCTITE 242 OR 243 THREADLOCKER ON THESE FASTENERS**). INSTALL A 1/2"-13 FLANGE NUT (ITEM #15) AND A 1/2" FLAT WASHER (ITEM #18) ON EACH END OF THE STUDS. LEAVE BOLTS LOOSE AT THIS TIME.



(A LUVARNE Company)

1200 E. Birch St.

Brandon, SD 57005

202564 SHEET 1 OF 5 10AUG11

6. INSTALL THE RING (ITEM #1) BY LOWERING IT DOWN FROM THE TOP AND BEHIND THE UPRIGHTS, TAKING CARE NOT TO SCRAPE THE ENDS OF THE RING AGAINST THE SIDE OF THE VEHICLE.) AND SLIDE THE RING INTO THE NOTCHES OF THE UPRIGHTS. FASTEN WITH THE UPRIGHT COVERS (**CHROME GUARDS ONLY**) (ITEM #11), 7/16"-14 X 1-1/4" HEX BOLTS (ITEM #12) AND 7/16" FLAT WASHERS (ITEM #19) INTO THE 7/16"-14 CAPTIVE NUTS (ITEM #16) IN THE UPRIGHT MOUNTING PLATES. FINGER TIGHTEN ONLY AT THIS TIME.
7. CHECK THAT THE GRILL GUARD IS CENTERED AND VERTICAL ON THE BUMPER AND THE UPRIGHTS ARE STRAIGHT UP AND DOWN WITH EQUAL GAP BETWEEN THE RING BAR AND THE INSIDE OF THE UPRIGHT. THEN TIGHTEN THE FOUR 7/16"-14 X 1-1/4" HEX BOLTS (ITEM #12), SECURING THE RING TO THE UPRIGHTS.
8. TIGHTEN THE EIGHT BOLTS (ITEM #13) SECURING THE TOP MOUNTING BRACKETS (ITEM #4) TO THE FRAME.
9. MAKING SURE THAT THE GRILLE GUARD IS STRAIGHT UP AND DOWN, TIGHTEN THE FOUR BOLTS (ITEM #12) SECURING THE UPRIGHTS TO THE TOP MOUNTING BRACKETS (ITEMS #4).
10. TIGHTEN THE TWO BOLTS (ITEM #10) SECURING THE FRAME ANGLE BRACKET TO THE TOW HOOK BRACKETS ON THE BOTTOM OF THE FRAME.
11. ADJUST THE TWO LOWER STUDS TO MAKE SURE THE GRILLE GUARD IS STRAIGHT UP AND DOWN AND TIGHTEN ALL OF THE FLANGE NUTS (ITEM #15).
12. INSTALL THE CHROME OR BLACK HOT TOPPERS ON THE FOUR 7/16" STAINLESS STEEL HEX BOLTS THAT ATTACH THE UPRIGHTS TO THE TOP MOUNTING BRACKETS. THERE ARE SOME RARE OCCASIONS WHERE EVEN THOUGH THE NUT OR BOLT IS AN AMERICAN STANDARD FASTENER, THE HOT TOPPER® MAY NOT ACHIEVE A FRICTION FIT. IN THIS CASE WE RECOMMEND USING A NAPA CLEAR SILICONE (NAPA AUTO PART # 765-1481) TO ACHIEVE A SECURE FITMENT. **DO NOT USE ADHESIVE PRODUCTS TO MOUNT HOT TOPPERS®.** THE NAPA PRODUCT RECOMMENDED WILL ALLOW FOR AN EASIER REMOVAL IF SERVICE IS PERFORMED. SIMPLY FILL THE COVER WITH THE NECESSARY AMOUNT OF SILICONE TO ACHIEVE A FIRM HOLD ON THE FASTENER, YET BEWARE THAT THE SILICONE WILL EXPAND WHEN IT SETS UP, SO DON'T OVER FILL THE PART. A LITTLE LESS GOES A LONG WAY.



(A LUVERNE Company)

1200 E. Birch St.

Brandon, SD 57005

202564 SHEET 2 OF 5 10AUG11

SERVICE PARTS LIST

ITEM	PART NO.	QTY	DESCRIPTION
1	202171	1	RING WELDMENT - CHROME
1	202196	1	RING WELDMENT - BLACK
2	202554	1	UPRIGHT WELDMENT – CHROME, LH
2	202565	1	UPRIGHT WELDMENT – BLACK, LH
3	202555	1	UPRIGHT WELDMENT – CHROME, RH
3	202566	1	UPRIGHT WELDMENT – BLACK, RH
4	202187	2	MOUNTING BRACKET - TOP
5	202560	1	MOUNTING BRACKET ANGLE– FRAME
6	201122	4	TAPPING BAR – 13.000”
7	202489	1	RUBBER EXTRUSION – MACHINED, LH, 34.000”
8	202490	1	RUBBER EXTRUSION – MACHINED, RH, 34.000”
9	202561	2	STUD – BRACKET, MOUNTING, BOTTOM
10	100088	2	HEX HEAD SCREW – 1/2”-13 X 1-1/2”, ZP
11	202547	2	UPRIGHT COVERS (CHROME GUARDS ONLY)
12	105939	8	HEX HEAD SCREW – 7/16-14” X 1-1/4”, SST
13	107211	8	HEX WSHR HEAD SCREW – 3/8”-16 X 1-3/4”, BLK ZP
14	103715	12	SELF TAPPING SCREW – 1/4”-20 X 5/8”
15	100123	8	SERRATED FLANGE NUT – 1/2”-13 , ZP
16	100181	8	SERRATED FLANGE NUT – 3/8”-16 , ZP
17	100083	8	CAPTIVE NUT – 7/16”-14
18	100118	8	FLAT WASHER – 1/2”, ZP
19	103286	4	FLAT WASHER – 7/16”, SST
20	100252	1	DECAL – LOGO, 1 X 3
21	108562	4	HOT TOPPERS – HTD420 - CHROME
21	108563	4	HOT TOPPERS – HTB420 - BLACK
22	100144	2	HEX HEAD SCREW – 5/8”-11 X 2”, ZP
23	100149	2	HEX NUT – 5/8-11, ZP
24	100147	6	FLAT WASHER – 5/8”, ZP
25	100148	2	LOCK WASHER – 5/8, ZP

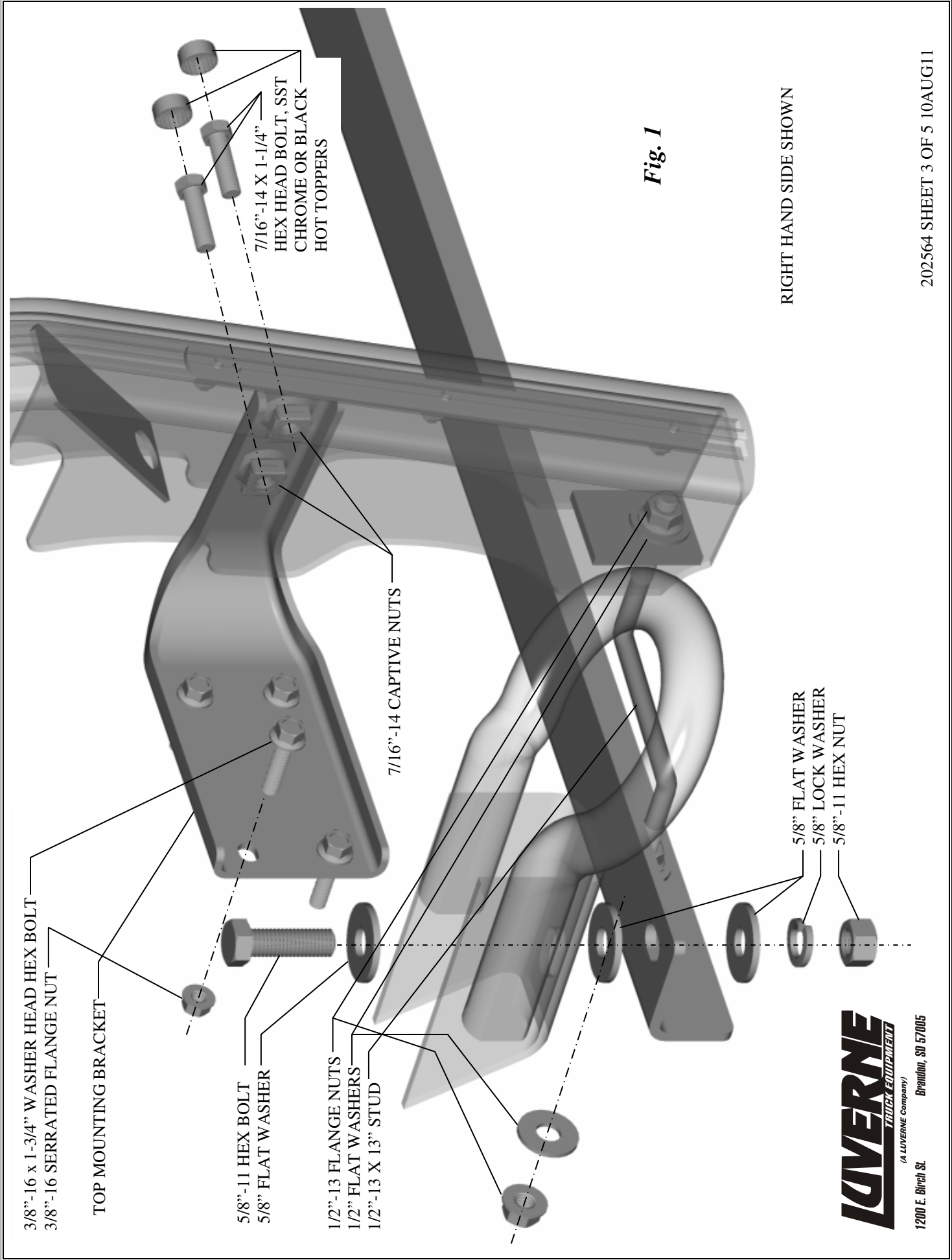


(A LUVERNE Company)

1200 E. Birch St.

Brandon, SD 57005

202564 SHEET 5 OF 5 10AUG11



3/8"-16 x 1-3/4" WASHER HEAD HEX BOLT
 3/8"-16 SERRATED FLANGE NUT

TOP MOUNTING BRACKET

5/8"-11 HEX BOLT
 5/8" FLAT WASHER

1/2"-13 FLANGE NUTS
 1/2" FLAT WASHERS
 1/2"-13 X 13" STUD

7/16"-14 CAPTIVE NUTS

7/16"-14 X 1-1/4"
 HEX HEAD BOLT, SST
 CHROME OR BLACK
 HOT TOPPERS

5/8" FLAT WASHER
 5/8" LOCK WASHER
 5/8"-11 HEX NUT

Fig. 1

RIGHT HAND SIDE SHOWN



(A LOVERNE Company)
 1200 E. Birch St.
 Brandon, SD 57005

SERVICE PARTS LIST

MODEL NO. - 331134/202175
 MODEL NO. - 341134/202197

