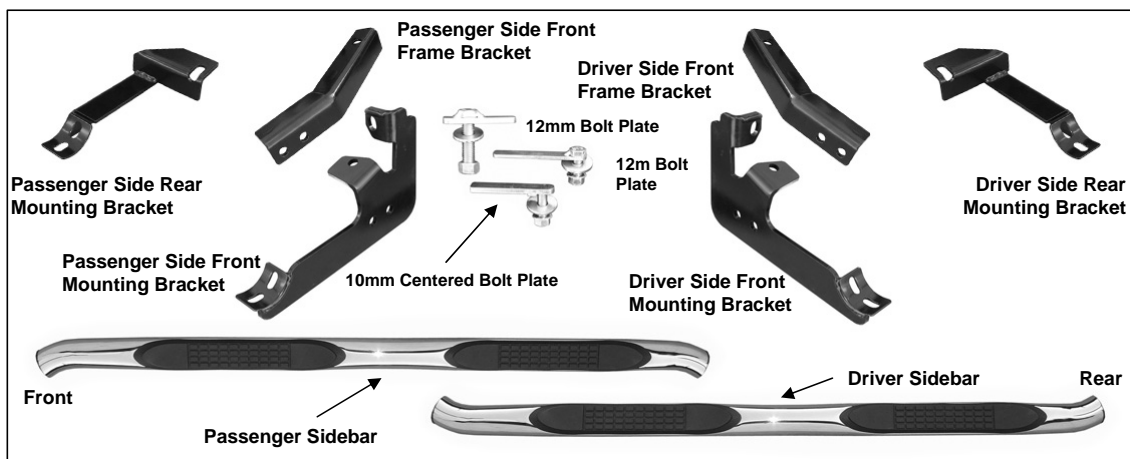


INSTALLATION INSTRUCTIONS

ARIESOFFROAD
2009-12 HONDA PILOT
PART # S226008/S226008-2

PARTS LIST:

1	Driver/Left Sidebar	4	12mm Hex Nuts
1	Passenger/Right Sidebar	4	12mm Flat Washers
1	Driver/Left Front Mounting Bracket	2	10mm Nuts
1	Passenger/Right Front Mounting Bracket	10	10mm x 26mm O.D Flat Washers
1	Driver/Left Front Frame Bracket	4	10mm x 35mm Hex Bolts
1	Passenger/Right Front Frame Bracket	4	10mm Lock Nuts
1	Driver/Left Rear Mounting Bracket	8	10mm x 25mm Hex Bolts
1	Passenger/Right Rear Mounting Bracket	8	10mm x 22mm O.D Flat Washers
2	12mm x 50mm Bolt Plates	10	10mm Lock Washers
2	12mm x 40mm Bolt Plates (square end)	4	8mm x 25mm Hex Bolts
2	10mm x 40mm Bolt Plates (rounded end)	4	8mm Flat Washers
4	12mm Lock Washers	4	8mm Lock Washers



PROCEDURE:

- 1. REMOVE CONTENTS FROM BOX. VERIFY ALL PARTS ARE PRESENT. READ INSTRUCTIONS CAREFULLY BEFORE STARTING INSTALLATION.**
- Starting on the driver side front of the vehicle, locate the round hole on the bottom of the inner frame channel. Insert the 10mm round End Bolt Plate into the hole and rotate clock-wise 90-degrees or until it stops turning, **(Figure 1)**
- Next, locate the two threaded holes, one located on the bottom of the floor rocker panel, the other located on the side of the inner rocker panel. Position the driver side Front Mounting Brackets up to vehicle. Hang the mount bracket from the two holes using the provided (2) 8mm x 25mm Hex Bolts, (2) 8mm Flat Washers and the 8mm lock Washers. Snug but do not tighten at this time, **(Figure 2)**
- Determine the driver side Front Frame Bracket from the illustration on Page 1. Line up the two holes in the bracket with the Front Mounting Bracket and bolt together with (2) 10mm x 35mm Hex Bolts (4) 10mm x 26mm OD Flat Washers and (2) 10mm Lock Nuts. Next hang the Support Bracket from the previously installed Bolt Plate using (1) 10mm x 26mm OD Flat Washer, (1) 10mm Lock Washer and (1) nut, **(Figure 3)**. Snug but do not tighten at this time.
- Next, move to the driver/left rear of the vehicle. Insert the 12mm Bolt Plate into the oval hole located on the bottom of the frame channel and rotate 90-degrees, **(Figure 4)**. Next insert the 12mm Centered Round End Bolt Plate into the round hole located on the bottom of the body next to the pinch weld. Rotate the Bolt Plate 90-degrees or until it stops turning. Determine the driver/left rear mounting bracket from the illustration on Page 1 and hang it from the two bolt plates using (2) 12mm Flat Washer, (2) 12mm Lock Washer and (2) 12mm Nut, Carefully position the driver sidebar onto the mounting brackets and attach it using the included (4) 10 mm x 25mm Hex Head Bolts, (4) 10mm x 22mm OD Flat Washers, and (4) 10mm Lock Washers **(Figure 5)**. Snug but do not tighten.
- Align Sidebar properly, and then tighten all hardware.
- Repeat steps 2 - 8 for the passenger Sidebar.
- Do periodic inspections to the installation to make sure that all hardware is secure and tight.

Driver Side Installation Shown

