



# INSTALLATION MANUAL

## S224047

### Level of Difficulty

Easy

Installation difficulty levels are based on time and effort involved and may vary depending on the installer level of expertise, condition of the vehicle and proper tools and equipment.

### Parts List

Qty	Description
1	Driver / left running board*
1	Passenger / right running board*
2	Mounting bracket, front
2	Mounting bracket, rear
16	Hex bolts, M10
16	Lock washers, M10
16	Flat washers, M10

### Tools Required

Socket, 13mm	Ratchet
Socket, 16mm	Torque wrench
Wrench, 16mm	Flathead screwdriver

### Torque Specifications

M8 bolt	7 ft.-lbs.
M10 bolt	16 ft.-lbs.

Use above torque setting unless otherwise noted

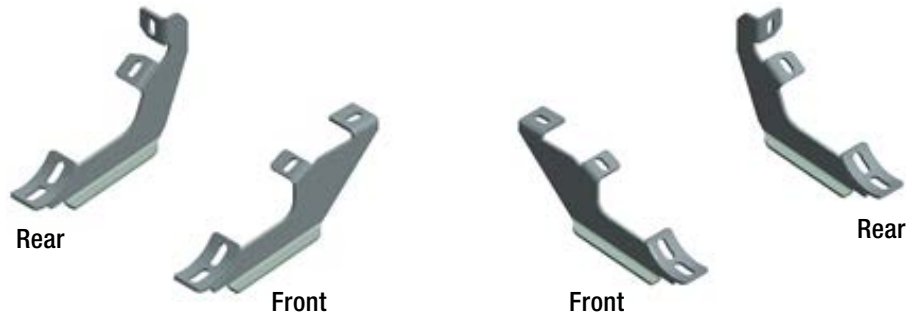
### Product Registration and Warranty

ARIES stands behind our products with industry-leading warranties. To get copies of the product warranties, register your purchase or provide feedback, visit: [warranty.curtgroup.com/surveys](http://warranty.curtgroup.com/surveys)

### Product Photo



### Brackets and Hardware



### NOTICE

Visit [www.ariesautomotive.com](http://www.ariesautomotive.com) for a full-color copy of this instruction manual, as well as helpful videos, guides and much more!

Before you begin installation, read all instructions thoroughly.

Proper tools will improve the quality of installation and reduce the time required.

Periodic inspection of your product should be performed to ensure all hardware and / or components remain secure.

To help prevent damage to the product or vehicle, refer to the specified torque specifications when securing hardware during the installation process.

### Maintenance

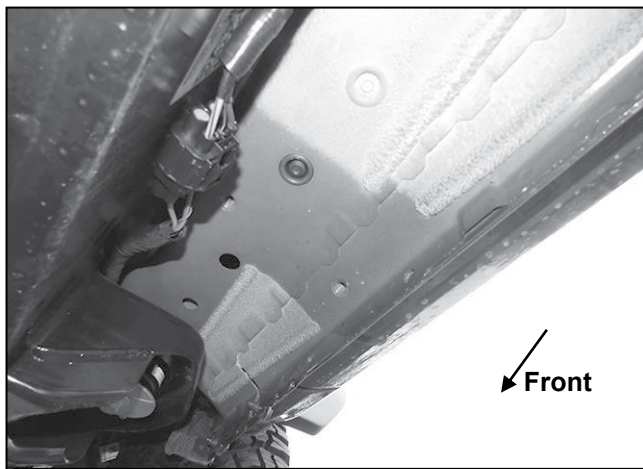
Mild automotive detergent may be used to clean the product. Do not use dish detergent, abrasive cleaners, abrasive pads, wire brushes or other similar products that may damage the finish.

## PROCEDURE:

1. REMOVE CONTENTS FROM BOX. VERIFY ALL PARTS ARE PRESENT. READ INSTRUCTIONS CAREFULLY BEFORE STARTING INSTALLATION.
2. Starting from underneath the Passenger/Right body panel, locate the front mounting location and the threaded holes in the body panel, **(Figure 1)**. Remove the plastic plugs covering the holes.
3. Select the Passenger/Right Front Mounting Bracket. Attach the Mounting Bracket to the front location with (2) 10mm Hex Bolts, (2) 10mm Lock Washers and (2) 10mm Flat Washers, **(Figure 2)**. Do not tighten hardware.
4. Repeat **Steps 2 & 3** to attach Center Mounting Bracket and Rear Mounting Bracket to the center and rear locations, **(Figures 3—6)**. Do not tighten hardware. **NOTE:** The Center and Rear Mounting Brackets are similar but are unique. The Center Mounting Brackets have a smooth back and the Rear Mounting Brackets will have a small hole in the back, **(Figure 4)**.
5. Select the Passenger/Right Sidebar. Place the Sidebar onto the cradles of the Mounting Brackets. **IMPORTANT:** Do not rotate or slide the Sidebar front to back or damage to the finish may result. Attach the Sidebar to the Mounting Brackets with (6) 8mm Combo Bolts, **(Figure 7)**. Do not tighten hardware.
6. Level and adjust the Sidebar and tighten all hardware.
7. Repeat **Steps 1—6** to attach the Driver/Left Sidebar.
8. Do periodic inspections to the installation to make sure that all hardware is secure and tight.

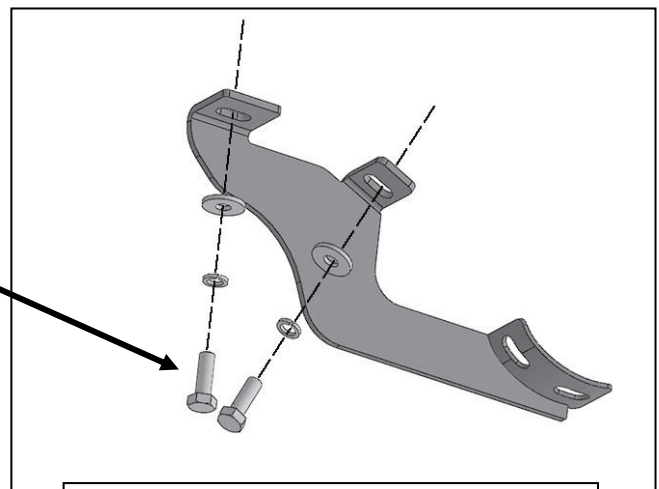
**To protect your investment,** Do not use any type of polish or wax that may contain abrasives that could damage the finish. Mild soap may be used to clean the Sidebars.

### Passenger/Right side Installation Pictured



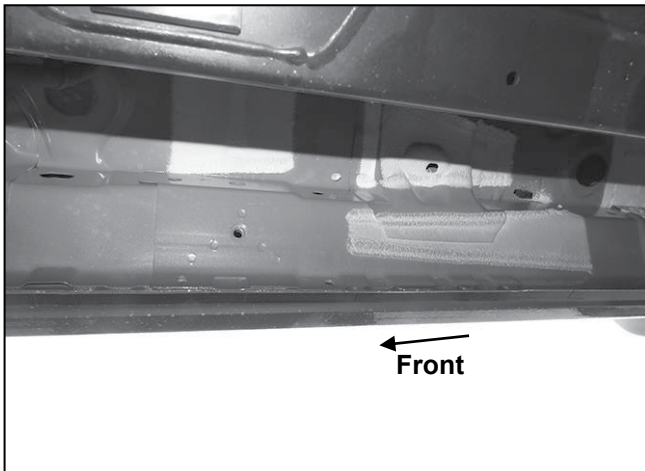
**(Fig 1) Passenger/Right front mounting location**

(2) 10mm Hex Bolts  
(2) 10mm Lock Washers  
(2) 10mm Flat Washers



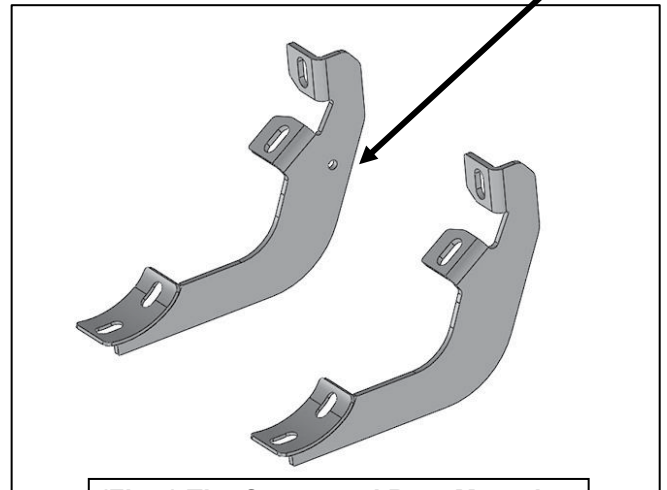
**(Fig 2) Attach the Passenger/Right Front Mounting Bracket to the front location**

## Passenger/Right side Installation Pictured

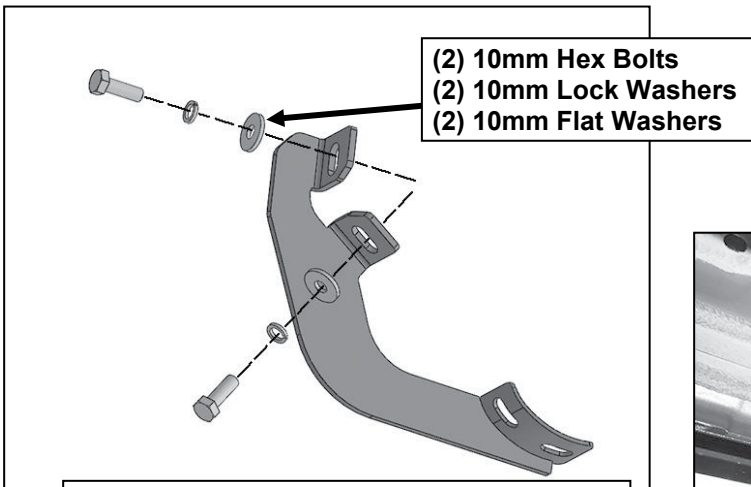


(Fig 3) Passenger/Right center mounting location

The Rear Brackets have a small hole in the back

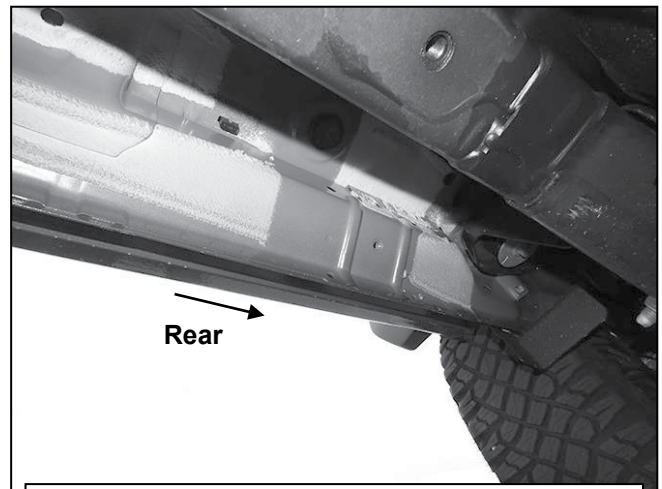


(Fig 4) The Center and Rear Mounting Brackets are similar but are unique

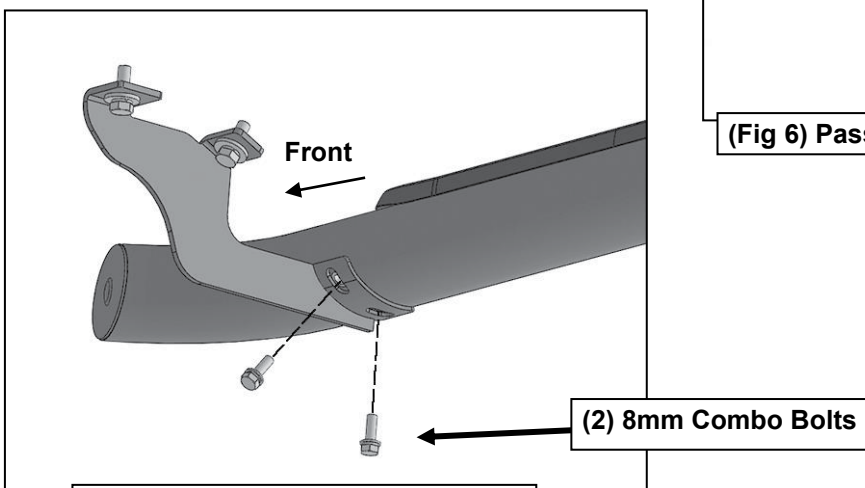


- (2) 10mm Hex Bolts
- (2) 10mm Lock Washers
- (2) 10mm Flat Washers

(Fig 5) Attach (1) Passenger/Right Center Mounting Bracket to the center location



(Fig 6) Passenger/Right rear mounting location



- (2) 8mm Combo Bolts

(Fig 7) Attach the Passenger/Right Sidebar to the Mounting Brackets