

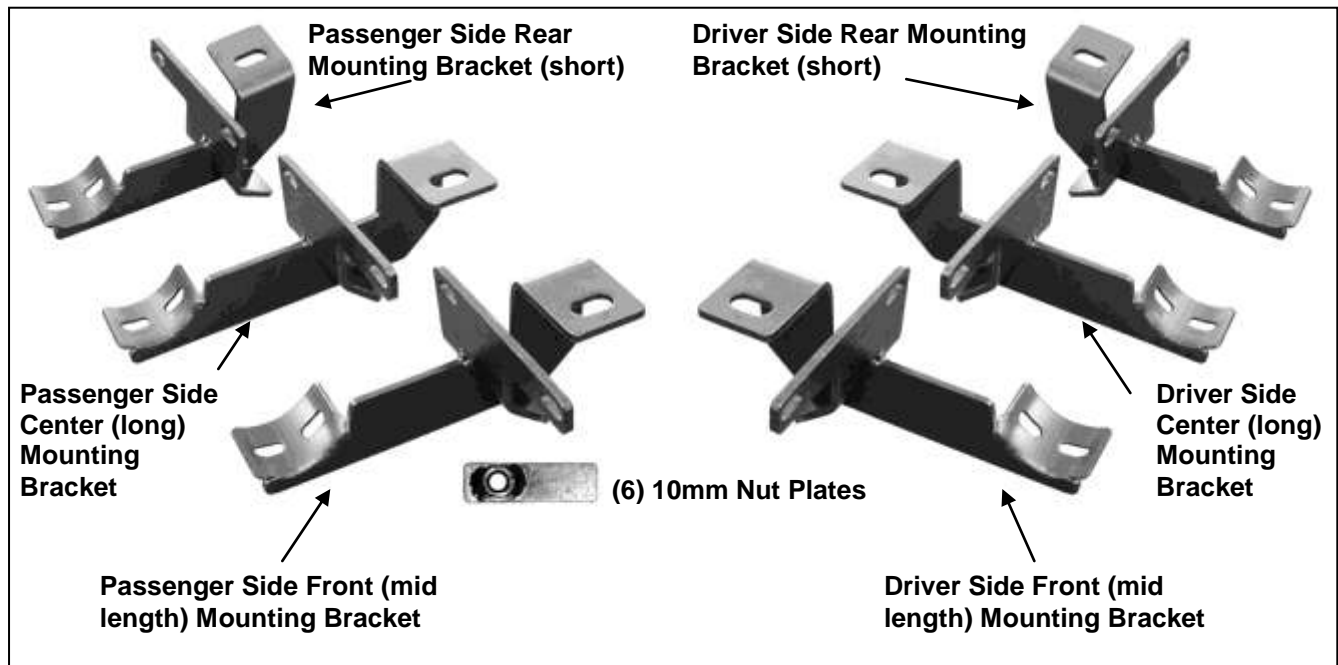
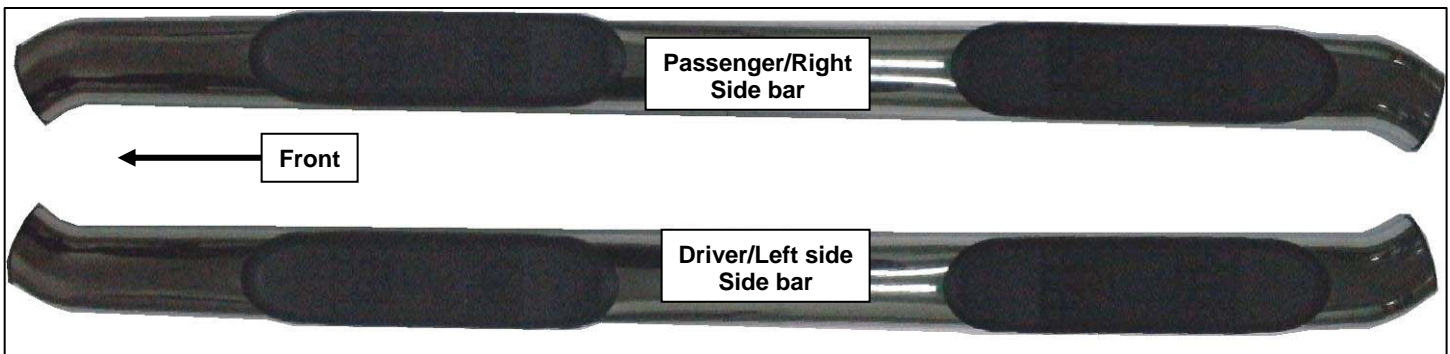
INSTALLATION INSTRUCTIONS

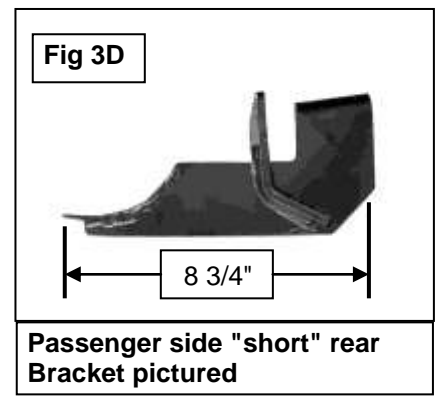
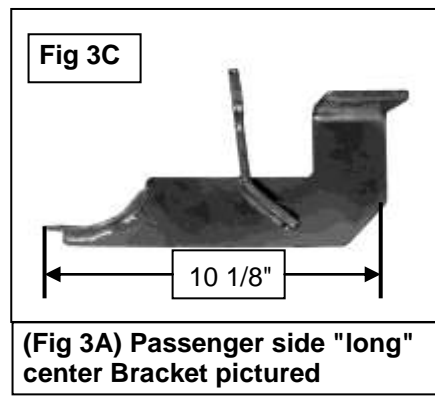
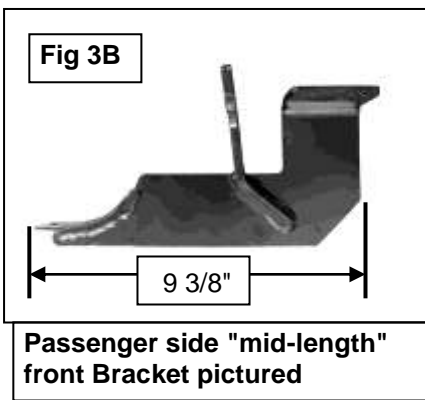
2007-12 WRANGLER 4DR (will not fit with factory rocker)

Part # 35700 / 35700-2

PARTS LIST:

Qty	Description	Qty	Description
1	Driver/Left Side Bar	4	10mm x 25mm Hex Bolt
1	Passenger/Right Side Bar	4	10mm ID x 30mm OD Flat Washer
1	Driver/Left Front Mounting Bracket	12	10mm ID x 23mm OD Flat Washer
1	Passenger/Right Front Mounting Bracket	16	10mm Lock Washer
1	Driver/Left Middle Mounting Bracket	2	8mm x 35mm Hex Bolt
1	Passenger/ Middle Mounting Brace Bracket	2	8mm ID x 24mm OD Flat Washer
1	Driver/Left Rear Mounting Bracket	2	8mm Lock Washer
1	Passenger/ Rear Mounting Bracket	12	6mm Lock Nuts
6	10mm Nut Plates	12	6mm x 25mm Button Head Cap Bolts
12	10mm x 30mm Hex Bolt	24	6mm ID x 18mm OD Flat Washers
1	4mm Allen wrench		





PROCEDURE:

1. **REMOVE CONTENTS FROM BOX. VERIFY ALL PARTS ARE PRESENT. READ INSTRUCTIONS CAREFULLY BEFORE STARTING INSTALLATION. FACTORY INSTALLED OR AFTERMARKET "ROCK RAILS," SIDE STEPS OR RUNNING BOARDS MUST BE REMOVED.**
2. Start installation toward the front of the passenger side of the vehicle. Determine if the vehicle has an open floor panel or a threaded hole in the floor panel for the top tab on the Bracket, **(Fig1 - 2)**. Remove any insulation that may be covering the mounting locations.
3. Select the passenger side front Bracket. **VERY IMPORTANT:** The 6 Mounting Brackets look very similar. Use the instructions to properly identify the front, center and rear Brackets for either side of the vehicle. Each bracket has been designed for a specific location for proper installation.
 - a. **Vehicles with open mounting location:** Insert (1) 10mm Nut Plate into the large square opening in the floor panel. Line up the threaded nut with the small hole in line with the tab on the Bracket, **(Fig1)**. Bolt the Bracket to the Nut Plate with (1) 10mm x 35mm Hex Bolt, (1) 10mm Lock Washer and (1) 10mm Flat Washer, **(Fig3A)**. Do not tighten hardware.
 - b. **Vehicles with factory threaded hole in floor panel:** Bolt the tab on the Bracket to the threaded hole in the floor panel with (1) 8mm x 35mm Hex Bolt, (1) 8mm Lock Washer and (1) 8mm x 24mm OD Large Flat Washer, **(Fig 2 & 3A)**. Do not tighten hardware.
4. Line up the mounting plate on the Bracket with the (2) factory holes in the pinch weld. Bolt the Mounting Bracket to the **back** of the pinch weld using the included (2) 6mm x 25mm Button Head Allen Bolts, (2) 6mm x 18mm Flat Washers, (against pinch weld), (2) 6mm x 18mm OD Flat Washers , (inside against the bracket), and (2) 6mm Nylon Lock Nuts, **(Fig3A)**. Leave loose at this time.
5. Repeat **Steps 2 – 4** for Center and Rear Mounting Bracket installation. Use the instructions to correctly identify the Brackets, **(Fig3B, 3C, 3D & 4)**.
6. Once all three Mounting Brackets are securely in position, place the passenger Sidebar onto the Mounting Brackets and secure it with the included (6)10mm x 30mm Hex Bolts,(6) 10mm Lock Washers and (6)10mm Flat Washers, **(Fig 5)**. **NOTE:** Mounting cradles on Brackets should be inline and pointing toward the rear of the vehicle for proper installation. Snug all hardware but do not tighten at this time.
7. Adjust and level the Sidebar and tighten all hardware.
8. Repeat **Steps 2 - 7** for Driver/left Sidebar installation.
9. Do periodic inspections to the installation to make sure that all hardware is secure and tight.

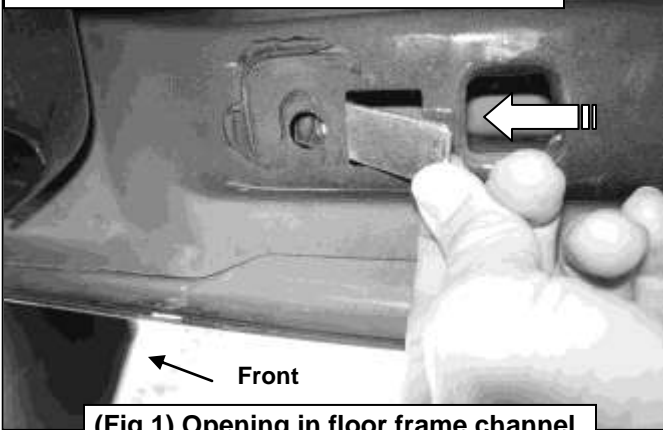
To protect your investment, wax this product after installing. Regular waxing is recommended to add a protective layer over the finish. Do not use any type of polish or wax that may contain abrasives that could damage the finish.

For stainless steel: Aluminum polish may be used to polish small scratches and scuffs on the finish. Mild soap may be used also to clean the Sidebar.

For gloss black finishes: Mild soap may be used to clean Sidebar.

Passenger Side Installation Pictured

Insert 10mm Nut Plate into opening and line up nut with mounting hole on Bracket



(Fig 1) Opening in floor frame channel (passenger side-front pictured)



(Fig 2) 8mm threaded hole in floor frame channel (passenger side-front pictured for example)

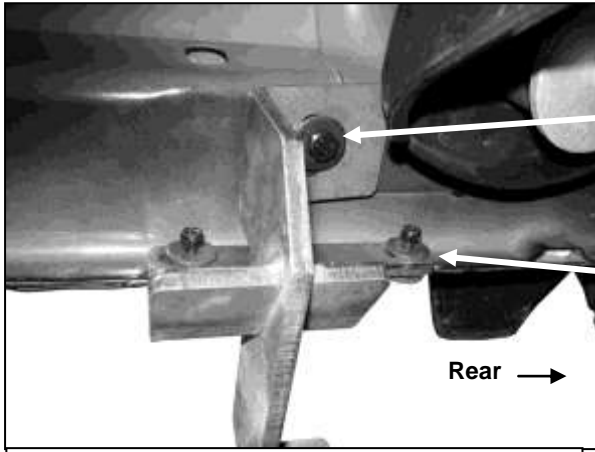


(Fig 3A) Passenger side Front Mounting Bracket installation pictured ("mid length" bracket)

(2) 6mm x 25mm Button Head Bolts
(2) 6mm Flat Washers (outside)
(2) 6mm Flat Washers (inside)
(2) 6mm Nylon Lock Nuts

10mm Nut Plate
10mm x 35mm Hex Bolt
10mm Lock Washer
10mm Flat Washer
OR
8mm x 35mm Hex Bolt
8mm Lock Washer
8mm x 24mm OD x 3mm
Flat Washer

Passenger Side Installation Pictured



10mm Nut Plate
10mm x 35mm Hex Bolt
10mm Lock Washer
10mm Flat Washer
OR
8mm x 35mm Hex Bolt
8mm Lock Washer
8mm x 24mm OD x 3mm
Flat Washer

(2) 6mm x 25mm Button Head Bolts
(4) 6mm Flat Washers
(2) 6mm Nylon Lock Nuts

(Fig 4) Passenger side Rear Mounting Bracket installation pictured (short bracket)

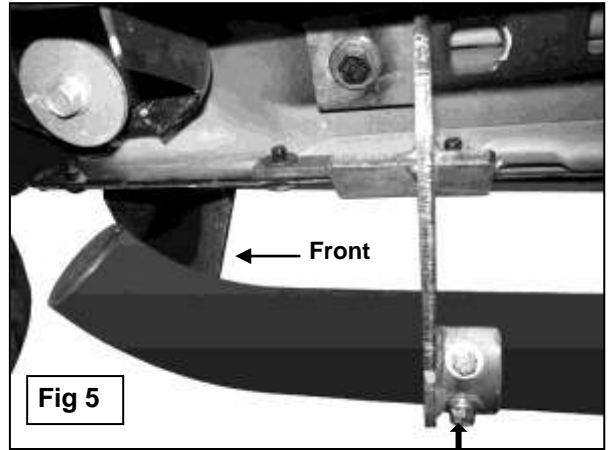


Fig 5

(2) 10mm x 30mm Hex Bolts
(2) 10mm Lock Washers
(2) 10mm x 23mm Flat Washers