

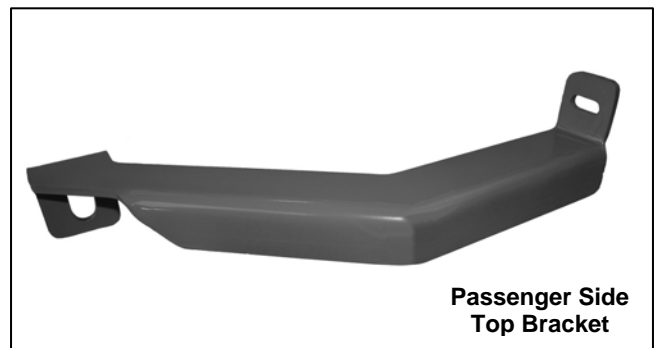
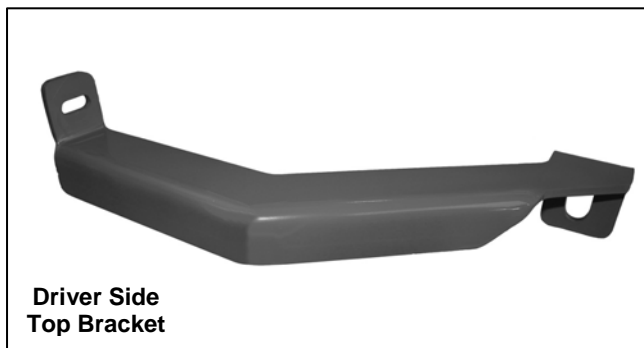


INSTALLATION INSTRUCTIONS

**GRILL GUARD PART # 9049-2/9049
2008-10 NISSAN PATHFINDER**

PARTS LIST:

1	Grille Guard	4	12-1.25mm x 40mm Hex Head Bolts (fine thread)
1	Driver/Left Mounting Bracket	6	12-1.75mm x 30mm Hex Head Bolts
1	Passenger/Right Mounting Bracket	10	12mm Lock Washers
1	Driver/Left Top Bracket	16	12mm ID x 29mm OD x 3mm Flat Washers
1	Passenger/Right Top Bracket	6	12mm Hex Nuts
		2	10-1.50mm x 25mm Allen Bolt
		2	10mm Lock Washer
		2	10mm Hex Nuts
		2	10mm ID x 25mm OD x 1.5mm Flat Washers
		1	6-1.00mm Flange Nuts (passenger side top bracket)



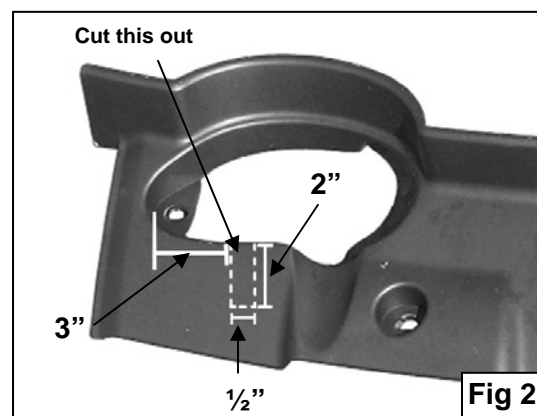
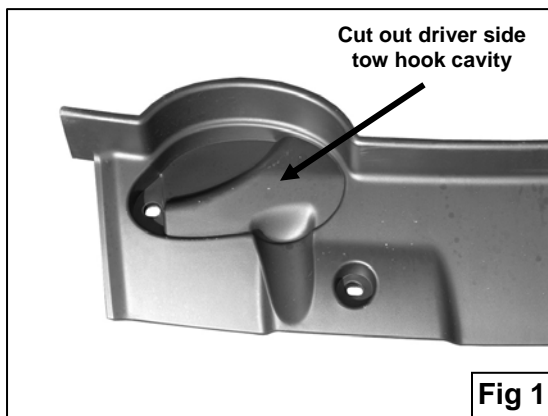
PROCEDURE:

1. REMOVE CONTENTS FROM BOX. VERIFY ALL PARTS ARE PRESENT. READ INSTRUCTIONS CAREFULLY BEFORE STARTING INSTALLATION.
2. From underside of vehicle, use a 10mm socket wrench to remove the 6 bolts holding the center plastic shroud. Set center plastic shroud on a clean working area and use a hack saw to cut out the driver side tow hook cavity (**Figure 1**). Once you have cut out the tow hook cavity, cut out a ½" x 2" gap in the front side of each tow hook cavity (**Figure 2**).
3. Remove the factory tow hook located on the passenger side. **NOTE:** You will not be re-installing tow hook.
4. Once you have cut out the plastic shroud, reinstall it back to the vehicle using the same factory hardware.
5. Locate the driver side Mounting Bracket and partially hang it from factory threaded holes on the frame rail using the included (2) 12-1.25 x 35mm Hex Head Bolts (fine thread), (2) 12mm Lock Washers, and (2) 12mm Flat Washers (**Figure 3**). Repeat this step for passenger side.
6. Through upper outer bumper intake use a 10mm socket wrench to remove the factory nut located on the driver side. Position driver side Top Bracket over factory threaded stud and secure it using the factory nut (**Figure 4**). Repeat this step for passenger side. **NOTE:** On the passenger side there is no factory nut, so position passenger side Top Bracket over factory threaded stud and use the included (1) 6mm Flange Nut to secure it.
7. With help position Grille Guard on the outer side of Mounting Brackets. Attach Grille Guard to Mounting Brackets using the included (6) 12mm x 30mm Hex Head Bolts, (6) 12mm Lock Washers, (6) 12mm Hex Nuts, and (12) 12mm Flat Washers (**Figure 5**). Do not tighten at this time.
8. Attach Top Brackets to the inner side of Grille Guard Plates using the included (2) 10mm Allen Bolts, (2) 10mm Lock Washers, (2) 10mm Hex Nuts, and (2) 10mm Flat Washers (**Figure 6**).
9. Align Grille Guard properly and then tighten all hardware. **NOTE:** Open the hood to make sure Grille Guard does not interfere.
10. Do periodic inspections to the installation to make sure that all hardware is secure and tight.

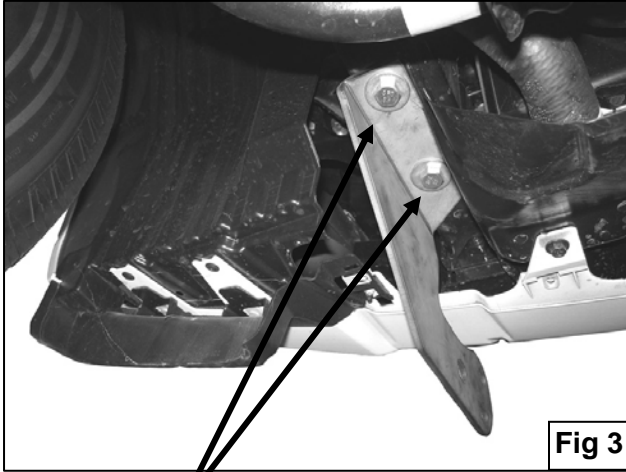
To protect your investment, wax this product after installing. Regular waxing is recommended to add a protective layer over the finish. Do not use any type of polish or wax that may contain abrasives that could damage the finish.

For stainless steel: Aluminum polish may be used to polish small scratches and scuffs on the finish. Mild soap may be used also to clean the Sidebar.

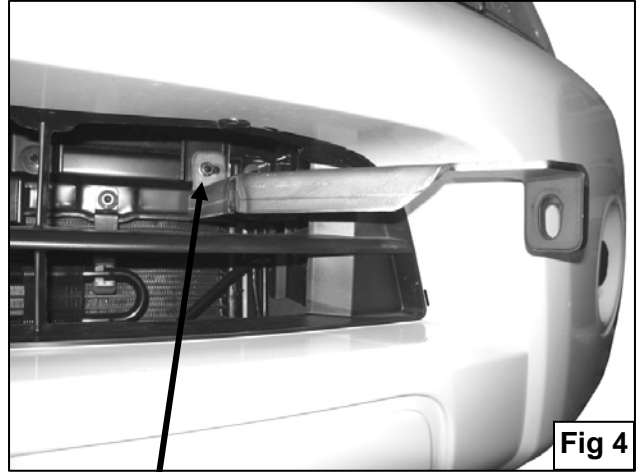
For gloss black finishes: Mild soap may be used to clean the Sidebar.



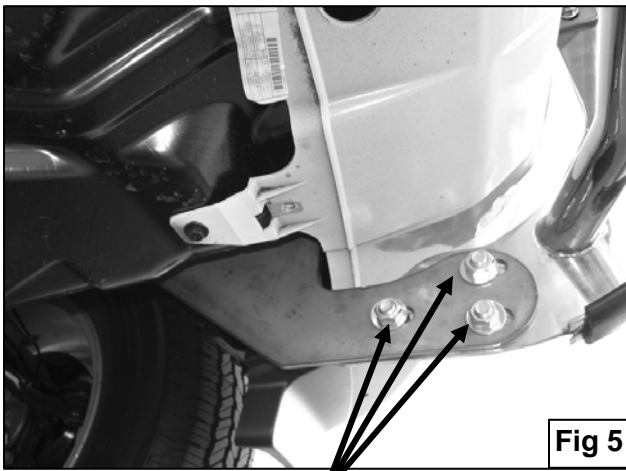
(Driver Side Installation Shown)



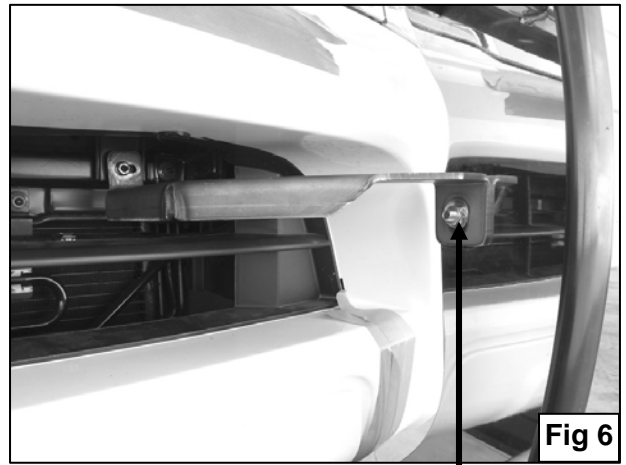
12-1.25mm x 40mm Hex Bolts
12mm Lock Washers
12mm Flat Washers



Factory Nut
NOTE: On the passenger side you will be using the included 6mm Flange Nut.



12-1.75mm x 30mm Hex Bolts
12mm Lock Washers
12mm Hex Nuts
12mm Flat Washers



10mm x 25mm Hex Head Bolt
10mm Lock Washer
10mm Hex Nut
10mm Flat Washer

